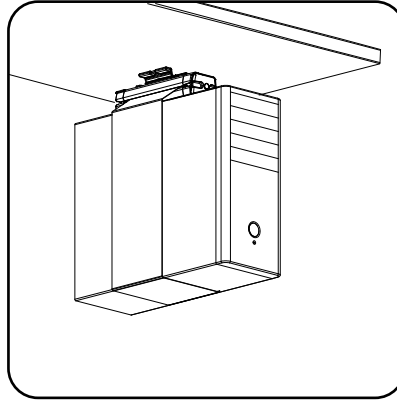


64.ELVTR0*

ErgoAdvantage Heavy-duty
Single-strap CPU Holder



Required Tools:

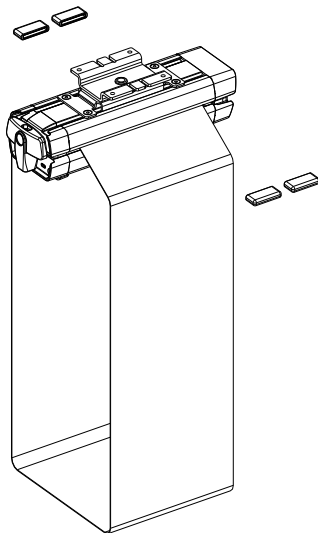
Phillips Screw Driver

Contents:

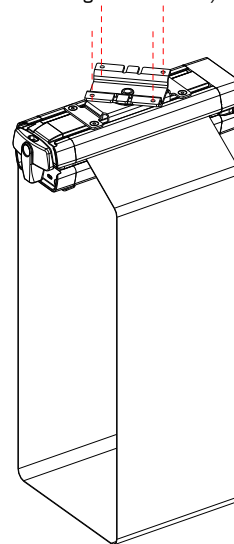
QTY	Name
1	CPU Holder
8	#8 X 3/4 screw

To secure CPU Holder to surface:

Remove Plastic covers.

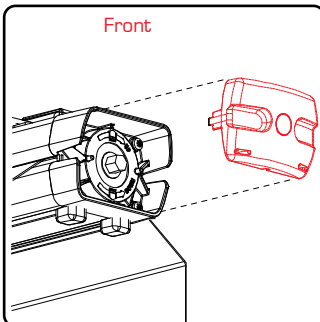


Rotate mounting plate and secure to surface using four #8 x 3/4 screws



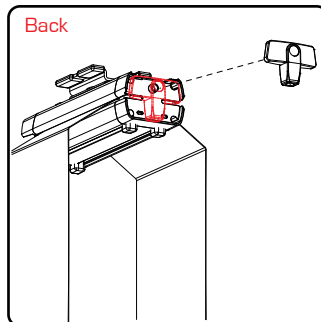
To secure CPU in the sling:

Remove CPU holder front cap.



Center CPU in Sling, turning the adjustment key clockwise. Adjustment key is located on the backside of the CPU holder.

*Remove additional slack once the CPU is continuing to tighten the sling



Once CPU is secure, replace CPU cap and adjustment key.

