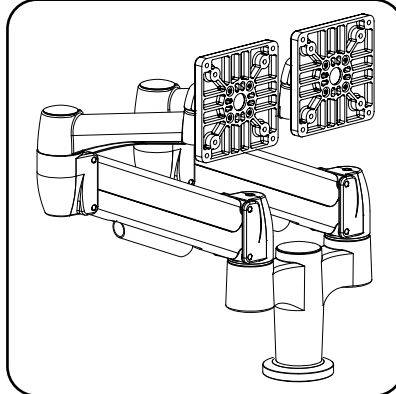


64.SA02BT-PLT

ErgoAdvantage Modula Double Monitor Arm
 US Patent: 6,695,270 B1 6,758,454 B2 7,316,377 B2

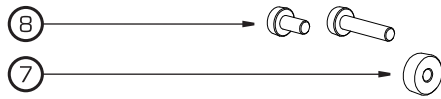
ERGOADVANTAGE™
 BY APPLIED ERGONOMICS



Required Tools:
 17 mm Socket
 5mm Allen Key
 #2 Phillips Screwdriver

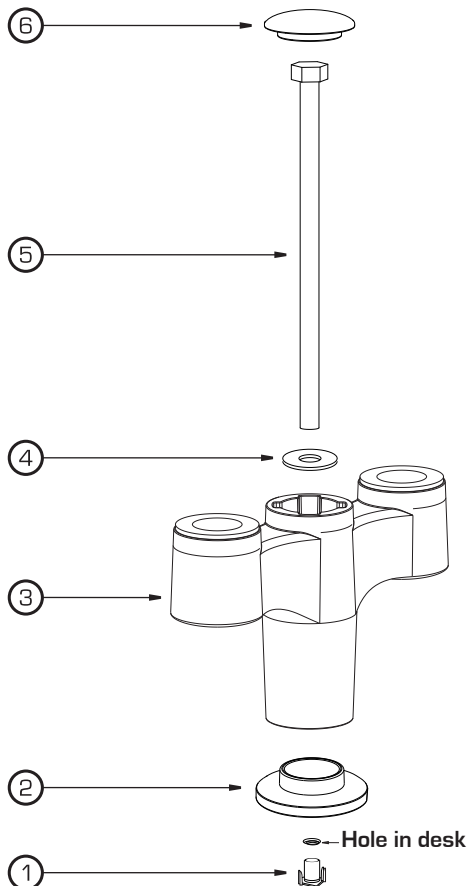
Contents:

#	QTY	Part Name
1	01	T-Nut
2	01	Bolt Through Base Plate
3	01	Double Hub
4	01	M10 Washer
5	01	M10 Bolt
6	01	Base Cap
7	01	Plastic Washer
8	08	Monitor Screws
9	02	Standard SpaceArm

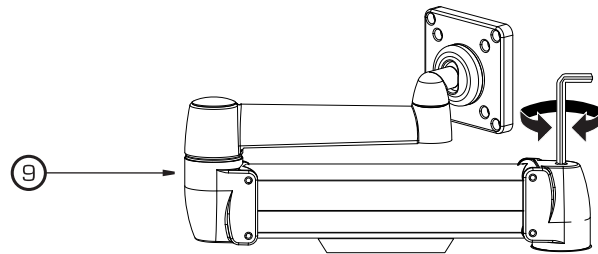


Monitor Mounting

Hardware package includes both short and long screws and plastic washers. The long screws & plastic washers should be used for recessed monitor mounts.



Adjusting Counter Balance
 *Required Tool: 5mm Allen Wrench



Position Arm so it is parallel to desk surface.
 Turn bolt clock wise for lighter monitors.

Cable Routing

