

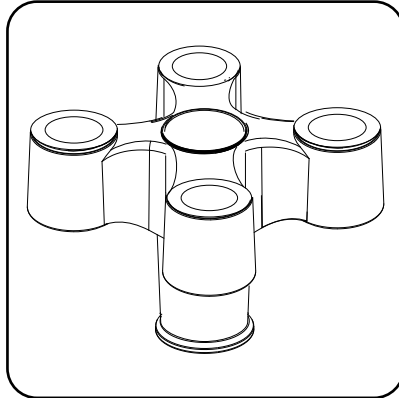
ERGOADVANTAGE™

BY APPLIED ERGONOMICS

Required Tools:
 17 mm Socket
 5mm Allen Key
 #2 Phillips Screwdriver

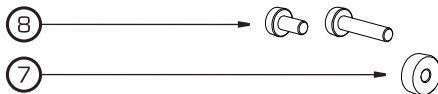
64.SA04BT-PLT

ErgoAdvantage Modula
 Quad 4-Monitor Arm

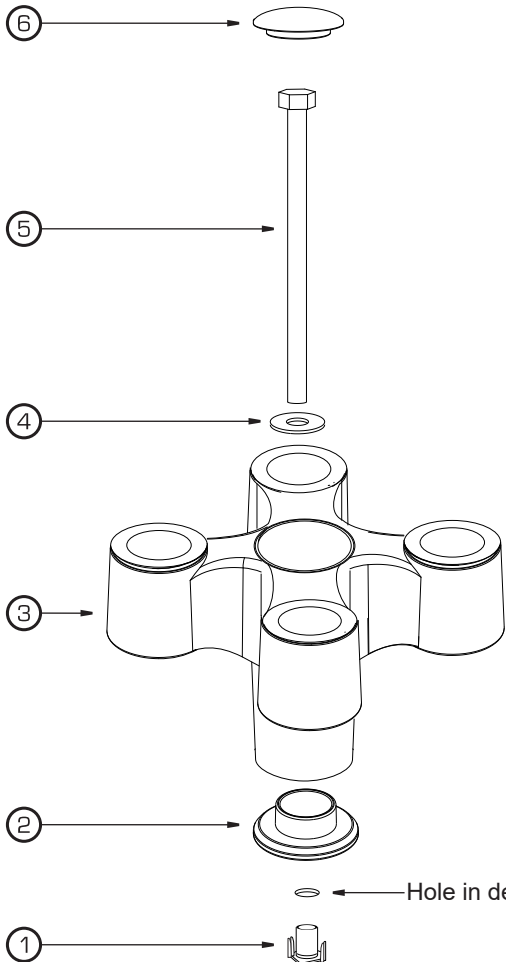


Contents:

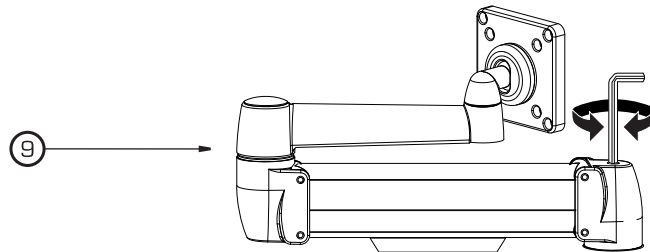
#	QTY	Part Name
1	01	T-Nut
2	01	Bolt Through Base Plate
3	01	Quad Hub
4	01	M10 Washer
5	01	M10 Bolt
6	01	Base Cap
7	04	Plastic Washer
8	08	Monitor Screws
9	04	Standard Arm



Monitor Mounting
 Hardware package includes
 both short and long screws and
 plastic washers.
 The long screws & plastic washers
 should be used for recessed
 monitor mounts.



Adjusting Counter Balance
 *Required Tool: 5mm Allen Wrench



Position Arm so it is parallel to desk surface.
 Turn bolt clock wise for lighter monitors.

Cable Routing

