

ERGOADVANTAGE™

BY APPLIED ERGONOMICS



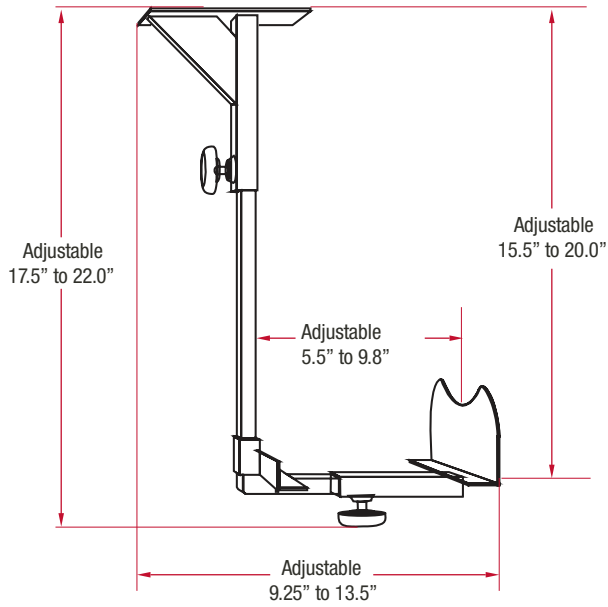
79.73-X

Economy CPU Holder

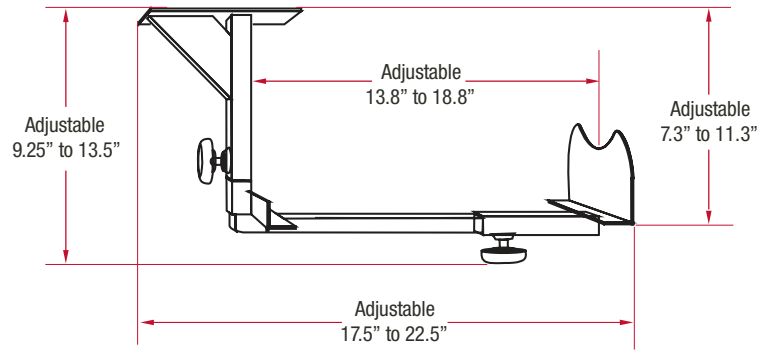
The ErgoAdvantage Economy CPU Holder is the solution for those individuals on a fixed budget such as students and small companies. It mounts easily to the underside of the work surface and is adjustable to either a vertical or horizontal position.

C730 series

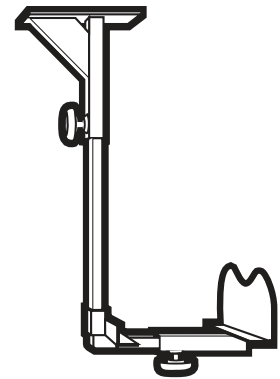
Features	Benefits
Mounts easily under the work surface	Stores CPU's safely under the desk and off the floor
Adjustable to either a vertical or horizontal position	Can be used for various models of CPUs
Inexpensive	Perfect for those on fixed budgets
Adjustable width (5.5" to 9.8") and height (15.5" to 20.0")	Can be customized to each workstation



Vertical Configuration

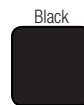


Horizontal Configuration



Economy CPU Holder 79.73-X series

Model	Height Range	Width Range	Storage	Weight
79.73-Vertical CPU	15.5" / 20.0"	5.5" / 9.8"	Fixed	9.8 lbs
79.73-Horizontal CPU	7.3" / 11.3"	13.8" / 18.8"	Fixed	9.8 lbs



Code Compliance: Exceeds ANSI/BIFMA standards

Notes: 1. Weight = packaged shipping weight per unit. 2. Specifications are subject to change without notice.



Please make an appointment to visit us at:
 3401 Madison Street
 Skokie, IL 60076
www.appliedergonomics.com

Call Us
 Tel: (847) 679-5148
 (844) 859-9247
 Fax: (847) 933-0018

Email the President
jmeltzer@appliedergonomics.com