

# ERGOADVANTAGE™

BY APPLIED ERGONOMICS



79.7322D17

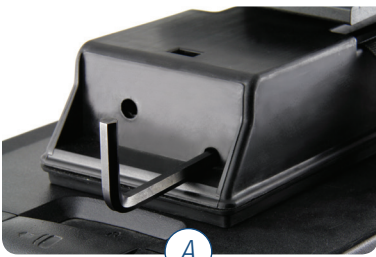
## *CPU Holder*

The ErgoAdvantage Single-strap CPU Holder is a streamlined and adjustable device with an innovative ratchet locking strap-support mechanism. This enables the CPU to be off the floor or desk surface to create a space-saving solution. By elevating the unit, the users also benefit from its easy accessibility.

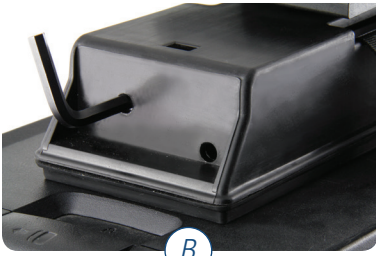
Features	Benefits
Innovative ratchet locking mechanism	Easy locking adjustment with supplied Allen key for quick installation
CPU retracts on a 17" glide track and swivels to allow full accessibility and easy storage	Frees up floor or desk space and makes for a safer work environment
Accommodates CPU's weighing up to 30 lbs and measuring 64" in perimeter	Flexible, strong and versatile. Ideal for small form factor CPU's
Single wide strap adjustment	The wider strap provides greater security to lock the CPU in place
Soft touch Anti-slip pad protect the CPU	Supports and protects both rectangular and curved CPU's

# 79.7322D17

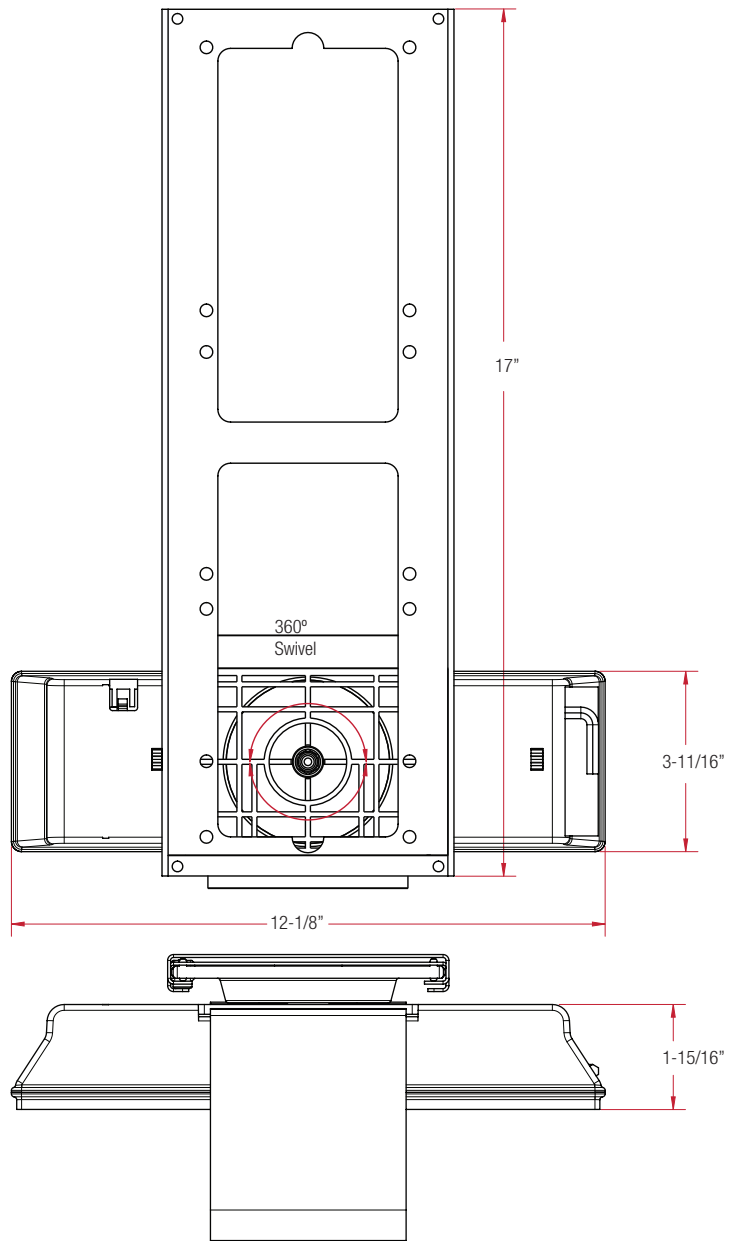
The single strap CPU holder design supports most units (including small form factor CPU's) and gives the end user a space-saving alternative. The sleek, form-fitting strap blends seamlessly with the desk. To tighten the CPU, simply use the provided Alley Key with the ratchet mechanism (fig. A). The key can then be stored in the slot provided at the far right of the unit (Fig. B).



A

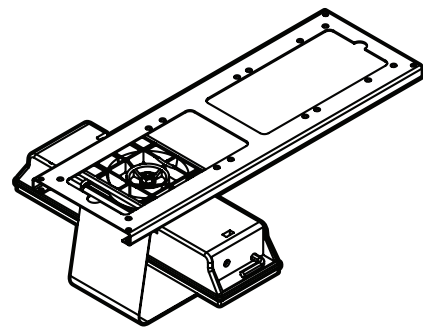


B



## CPU Holder 7300 series

Model	Width Adjustment	Weight	Weight Capacity	Swivel	Track Size
79.7322D17	2.5" min. - 64" max	3.9 lbs	30 lbs	360°	17"



Finish: Black

Notes: 1. Weight = packaged shipping weight per unit. 2. Specifications are subject to change without notice.



Please make an appointment to visit us at:  
 3401 Madison Street  
 Skokie, IL 60076  
[www.appliedergonomics.com](http://www.appliedergonomics.com)

Call Us  
 Tel: (847) 679-5148  
 (847) 859-9247  
 Fax: (847) 933-0018

Email the President  
[jmeltzer@appliedergonomics.com](mailto:jmeltzer@appliedergonomics.com)