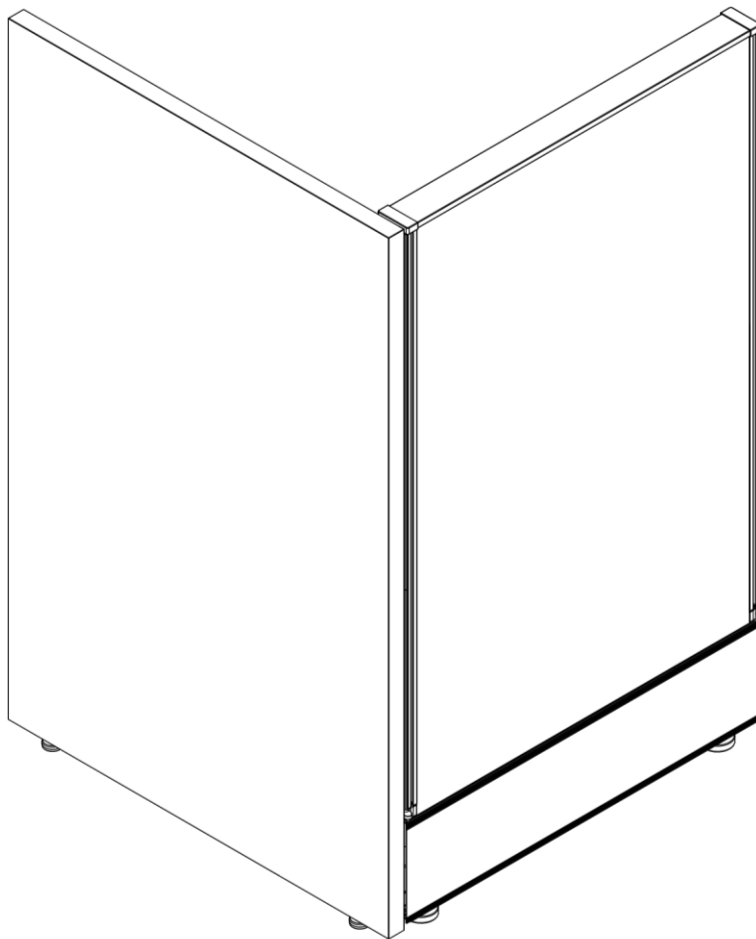







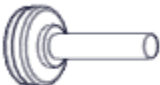

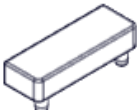

Date	Page No.	Description of change	Name
8/31/2020	1-7	Released	S. Powers
9/22/2020	3,5	Pg 3: Updated foam tape to be one side of frame only Pg 5: Added wall mounting bracket.	S. Powers



Note: The following installation instructions are shown using single panels. Double panels are installed in the same manner.

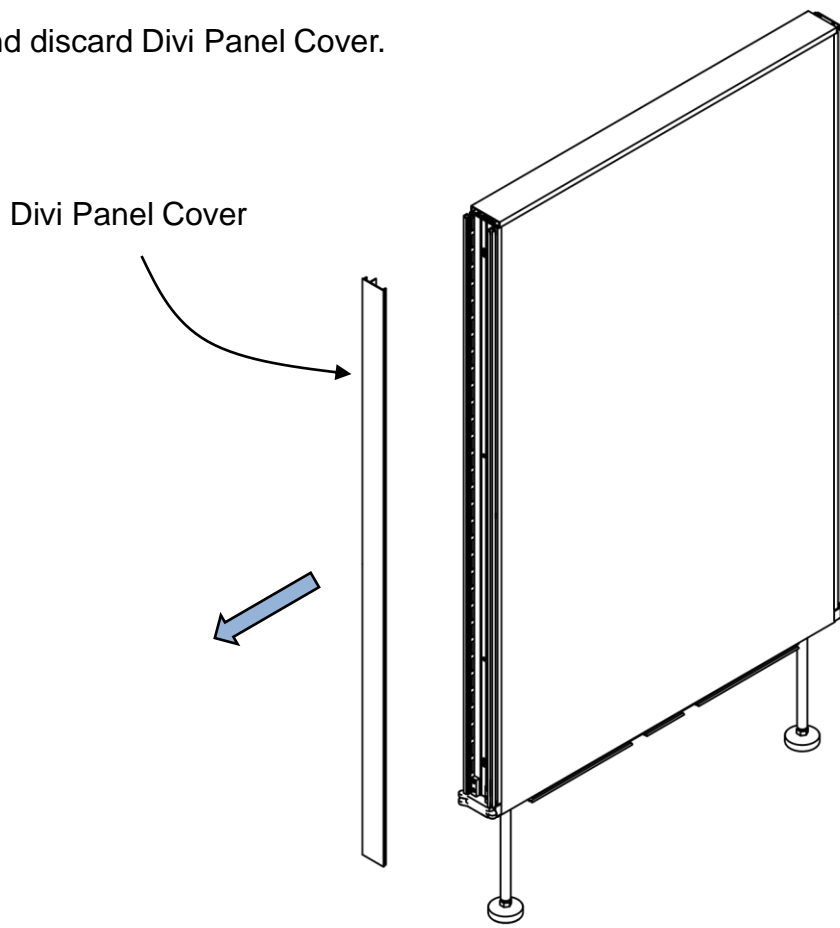
# Divi Gallery Panel Installation

# Parts List

Item	Replacement Part number	Circle Sheet Part Number	Description	Image
P1	RH-869K121	RH-869K121	Foam Tape	
P2	RP-VSGPB	RP-VSGPB	Panel Bracket	
P3	RH-94195A180	RH-94195A180	#10 x 1 1/2" Screw	
P4	RP-VSGPH	RP-VSGPH	Hook	
P5	RH-QS0978	RH-QS0978	#9 x 7/8" Screw	
P6	RWFS-IN51618B	RWFS-IN51618B	Glide Insert	
P7	RWFS-GLIDE51618	RWFS-GLIDE51618	5/16-18 Glide	
P8	RP-VSHxx xx = 13 (13" long) xx = 21 (21" long) xx = 37 (37" long)	RP-VSHxx xx = 13 (13" long) xx = 21 (21" long) xx = 37 (37" long)	Hinge	
P9			Top Cap	
P10	E-MWMBM	E-MWMBM	Wall Mounting Bracket	

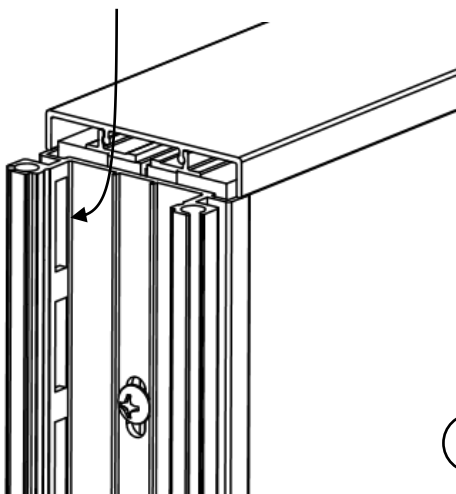
# Divi Gallery Panel Installation

**Step 1:** Remove and discard Divi Panel Cover.



**Step 2:** Apply foam tape to the inside Divi hanger frame channel, covering the rectangular cut-outs.

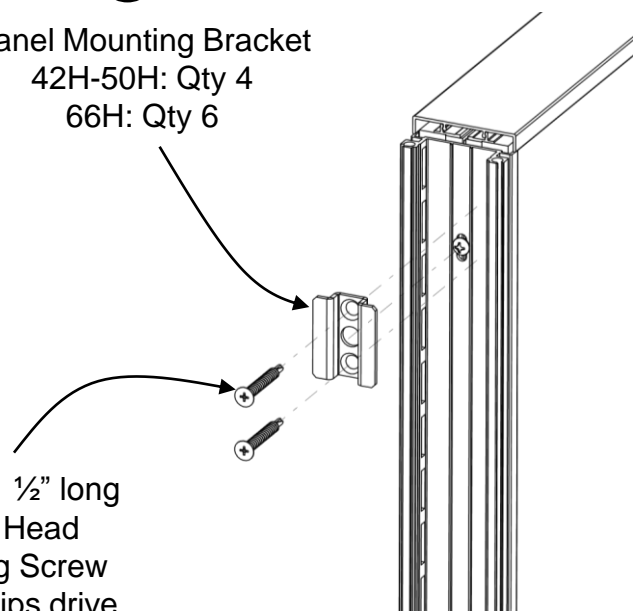
P1 Apply foam tape along the entire length of one side of the Divi frame, covering all rectangular holes on one side.



**Step 3:** Install Divi Panel Mounting Brackets.

P2 Panel Mounting Bracket  
42H-50H: Qty 4  
66H: Qty 6

P3 #10 x 1 1/2" long  
Flat Head  
Drilling Screw  
#2 Philips drive  
2 places per bracket



# Divi Gallery Panel Installation

## Step 4: Install Hooks onto Gallery Panels

Hook  
42H-50H: qty 4  
66H: qty 6

P4

P5

#9 x 7/8" long  
Flat Head Screw  
#2 Philips Drive  
2 places per hook

## Step 5: Install Glides

P6

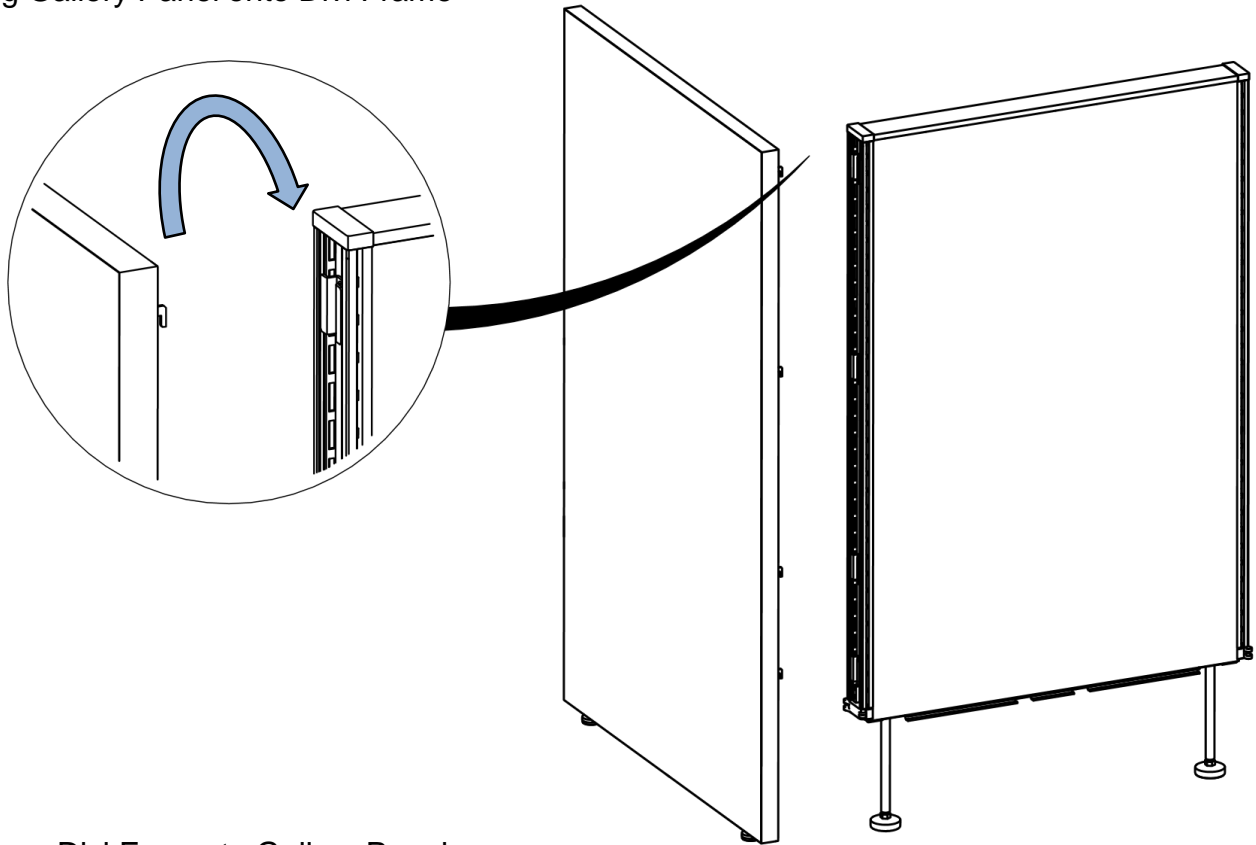
Glide Insert

P7

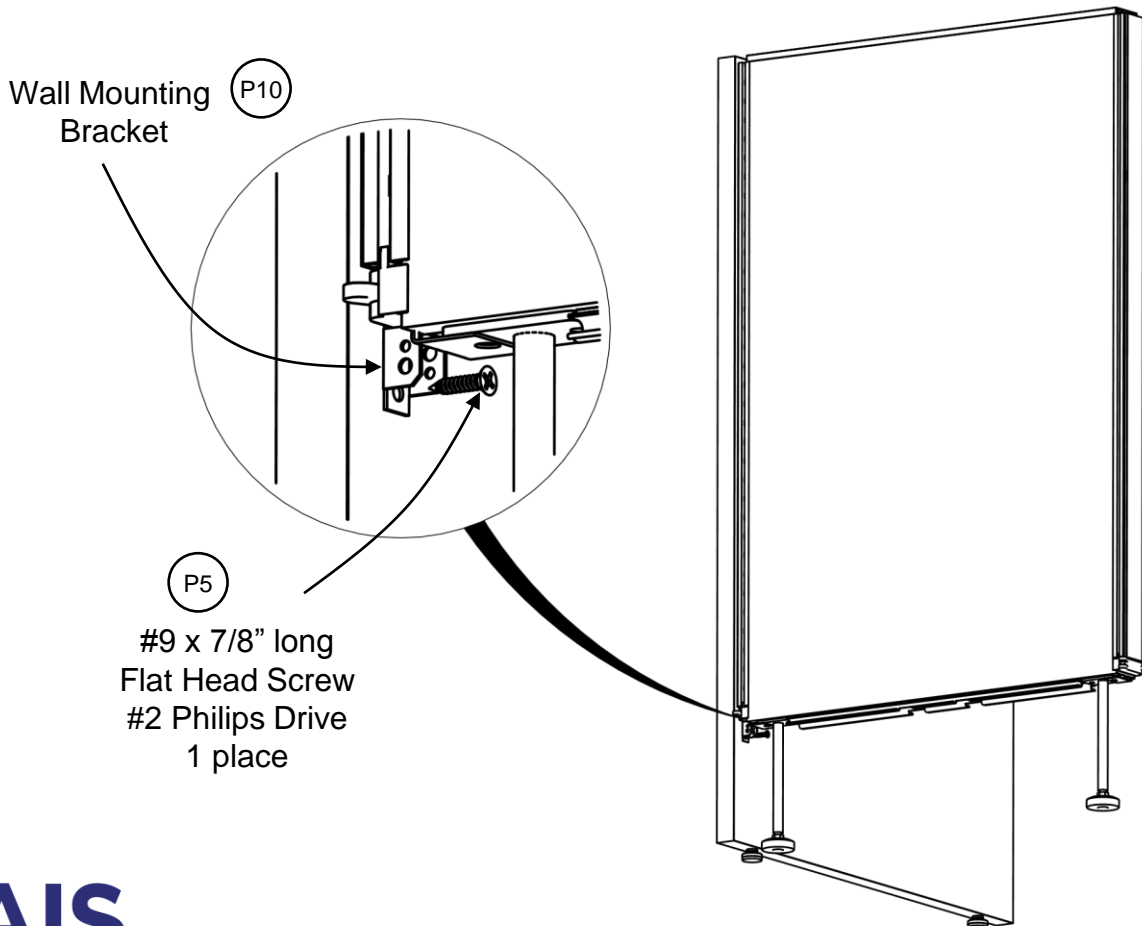
5/16-18 Glide

# Divi Gallery Panel Installation

## Step 6: Hang Gallery Panel onto Divi Frame



## Step 7: Secure Divi Frame to Gallery Panel.



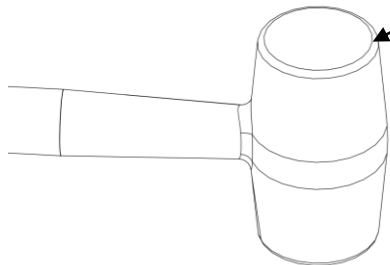
# Divi Gallery Panel Installation

**Step 8:** Install Hinges. See chart below for length and quantity requirements. (Note: Always start with the shortest hinge)

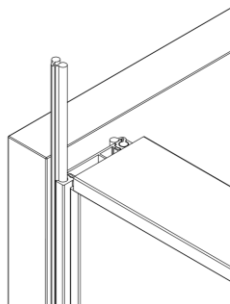
HEIGHTS	LENGTH AND NUMBER OF HINGE SEGMENTS REQUIRED PER PANEL HEIGHT			
	12 7/8	20 7/8	36 7/8	52 7/8
42" HIGH	1	1		
50" HIGH		2		
66" HIGH		1	1	
82" HIGH		1		1



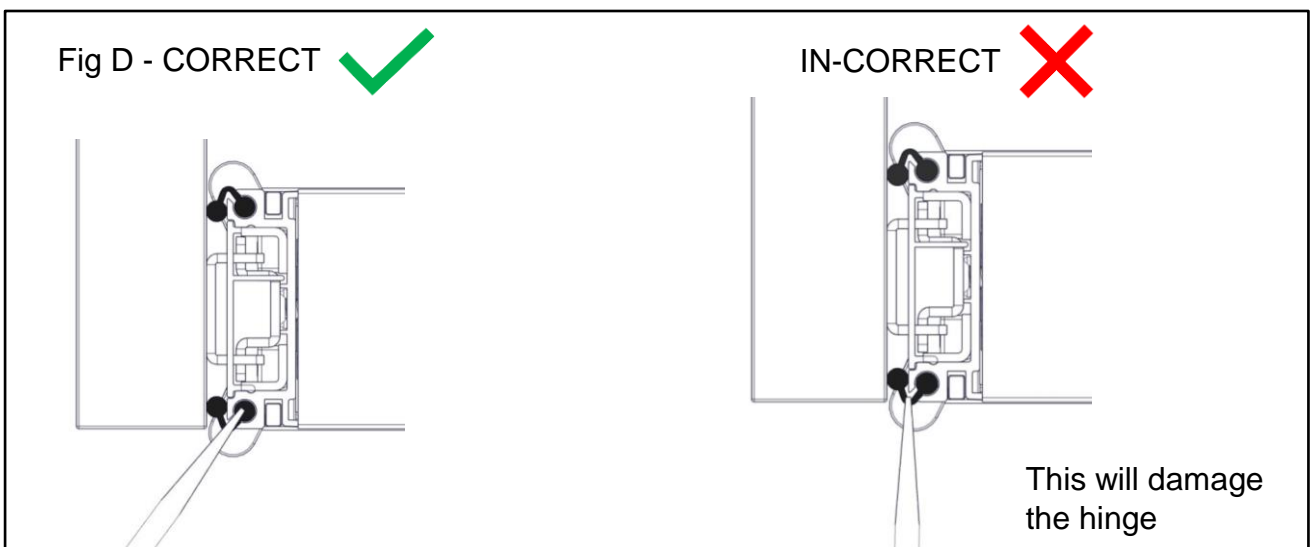
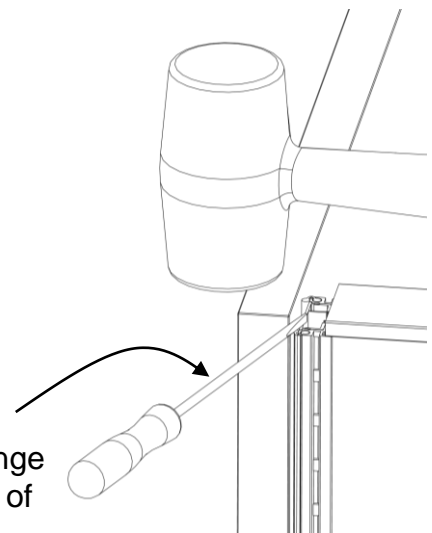
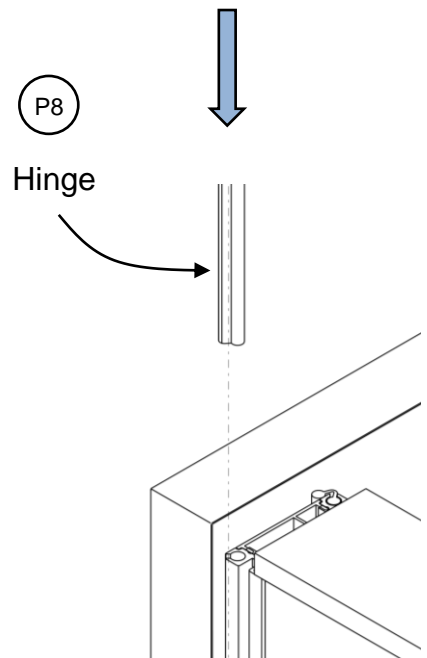
Hinge "point" always faces away from panel face



Use a non-marring mallet to GENTLY tap hinge down until flush with the top of the hanger rail.



Use a screwdriver as shown in Fig D below. GENTLY tap shaft of screwdriver until the hinge is seated at the bottom of the panel.



# Divi Gallery Panel Installation

## Step 9: Install Topcaps

Use a non-marring mallet to GENTLY tap Topcaps into Hanger Frames

