

Cover

Axel lounge pavilion Sesame laminate, Shadow felt and Black enamel finish.
Medium backrest lounge chair and tables Fjord Collection.

Axel™ Systems Furniture



PRINTED IN CANADA LTP42-A-0119 © ARTOPEX, INC. ALL RIGHTS RESERVED.

artopex®

Axel semi-enclosed pavilion office for individual work Willow Grey laminate, Sand acrylic, Polar White enamel finish and Forest Grade A fabric.



Collaboration
Flexibility
Privacy
Compatibility
Modularity
Acoustic

Axel Systems Furniture

Axel™ is the new generation of Artopex tile system for open area layouts. Inspired and ingenious, this integrated solution creates spaces imbued with authenticity and motion.

New!

Grade A fabric card available at competitive prices with a choice of current colors.

Open Mind

The Axel tile systems was designed to easily complete all your daily tasks: Open area workstation, brainstorming space, acoustic meeting room, relaxation area, manager office, closed office and nomadic station. And more? Keep an open mind to discover all of Axel's possibilities and variations.

Axel pavilion and workstations Ginger Root laminate, Fog felt, Polar White enamel finish and Storm and Squall Grade A fabrics.

Collaboration

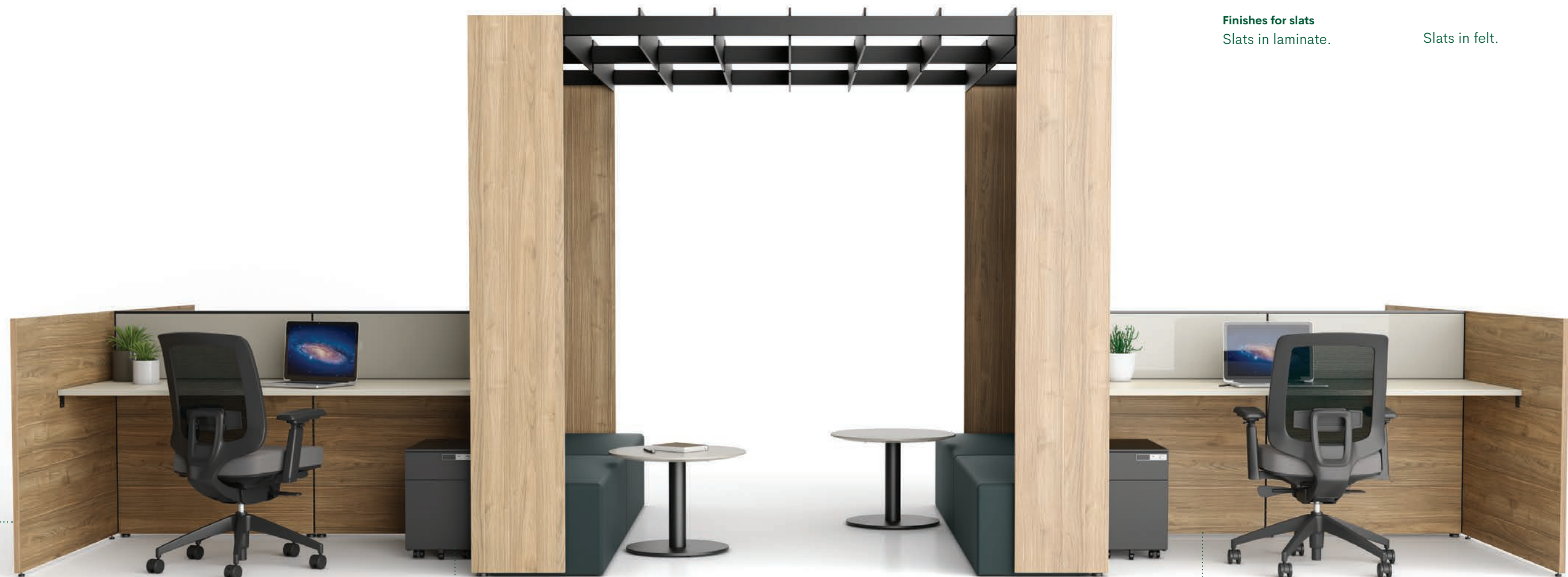
Emerging workstations are mostly focused on the goal of improving collaboration and the exchanges of ideas. Axel therefore offers innovative workstation configurations that naturally combine individual and collaborative work. The integration of pavilions defines the space simply through the creation of collaboration or multimedia areas. Let's meet up at the pavilion?

Axel pavilion and workstations Dalia and Willow Grey laminate, Shadow felt, Black enamel finish and Sand acrylic.



Finishes for slats
Slats in laminate.

Slats in felt.



Panel
Laminate lateral panel.

Pedestal
Metal pedestal, 12" wide.

Base tile
Base tiles option, without a kickplate or open base, for a more refined finish.

Flexibility

An extended selection of materials and finishes, rich textures, and numerous design options for the panels system are all ways to communicate the distinct DNA of each space.

Axel workstations Sesame, Charcoal and Willow Grey laminate, glass frosted and Polar White and Black enamel finish.



Glass privacy

Glass privacy screens frosted, inserted into the structure.

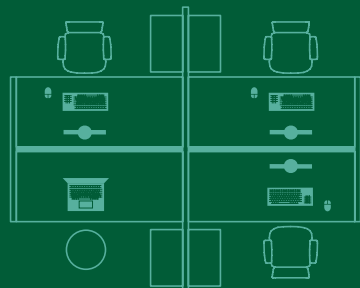
Kickplate and open base

Open base (as illustrated above).

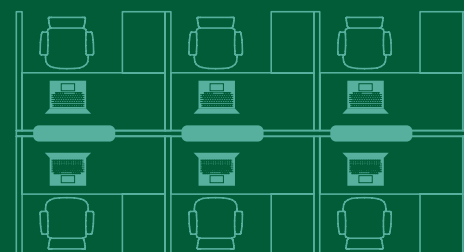
New Axel leg with a straight profile

Enamel finishes available: Black, Polar White, Charcoal and Silver.

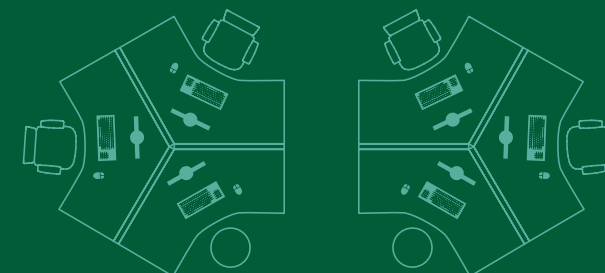
01.



02.



03.



- 01. Formal workspaces can be designed identically or customized in as many ways as you wish.
- 02. The use of felt provides enhanced acoustic comfort, whereas the use of medium height laminate panels creates division between the workstations while reducing costs.
- 03. Angled workstations provide more privacy and more individual work space.

Privacy

The integration of pavilions helps solve privacy issues often seen in open area layouts. With its openwork ceiling, every workstation becomes an individual ecosystem that optimizes concentration and productivity.

Axel pavilion Sesame laminate, Fog felt, Polar White enamel finish and Storm Grade A fabric.

Panel
Panel 36" H.

Configuration
90" H. pavilion, composed of a 66" H. base frame and 2 - 12" stacking frames.

Compatibility

The Axel tile system features a complete collection of work surfaces adapted to different workstation configurations. Axel was designed so it can be combined with other Artopex collections such as Take Off, Downtown, and adjustable tables.

Shared lateral panel

Structural element for defining the interior space of pavilions arranged side-by-side.



Integrated library

Fits the dimensions of the Axel pavilions perfectly.

Axel pavilion executive offices Dalia laminate, Fog felt and Black enamel finish.

Modularity

The many shapes of the Axel tile system help improve work environment concepts with multiple spaces. The adaptability and versatility of Axel's different modules support the constantly changing means of working, collaborating, and generating new ideas.

The height of panels, storage options, integrated shelves, and off-module furniture are many options you can use to imagine workstations adapted to the realities of each user.



Cable management

Flexible network and electrical cable management.

Open frame with shelves

Rounded shelves create an open flow towards another space.

Off-module furniture

Attaching surface off-module on the rails of the panel frames, at 29" from the ground.

Optimize space

Integrate 120-degree surfaces or adjustable tables and maximize your freedom of design for Axel open areas.



Finishes

It is possible to vary the finishes of tiles within the same frame.

Stabilizing washer

Nomadic workstations

Add surface multi-outlets as well as adjustable tables to create nomadic workstations.

Axel 120-degree workstations Ginger Root and White laminate, Fog felt and Polar White enamel finish.



Axel workstations Ginger Root and White laminate, Shadow felt and Silver enamel finish.

Axel workstations with adjustable tables Ginger Root and White laminate, Fog felt and Silver enamel finish.

Acoustic

Acoustic comfort is built into Axel's design. This is why this system introduces fabric and acoustic felt tiles, as well as slated ceiling with acoustic felt. The properties of the materials and the design of pavilions both improve ambient noise management in open areas.

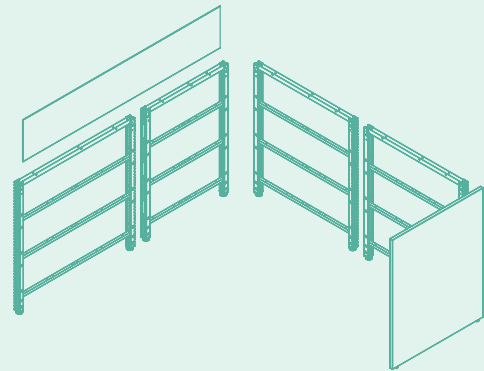
Furniture

Downtown lounge furniture can be used inside the pavilions.

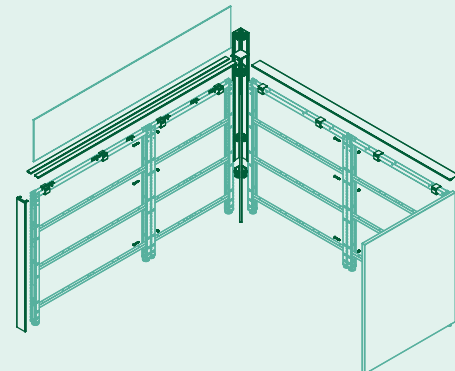
Axel lounge pavilions Ginger Root laminate, White acrylic, Fog felt and Polar White enamel finish.

Axel systems furniture construction

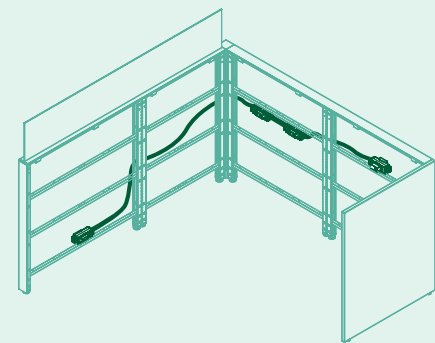
01. Frames, privacy screens and lateral panels



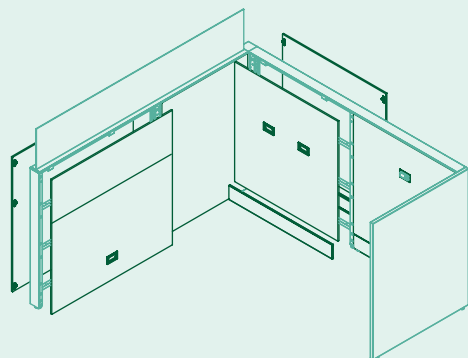
02. Connectors and top caps



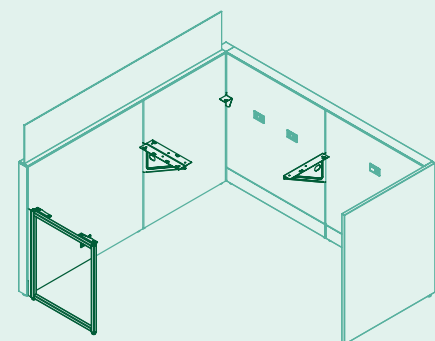
03. Electrical components



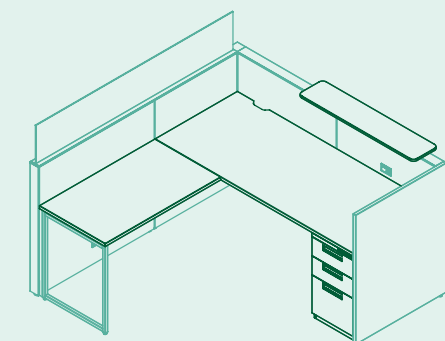
04. Tiles



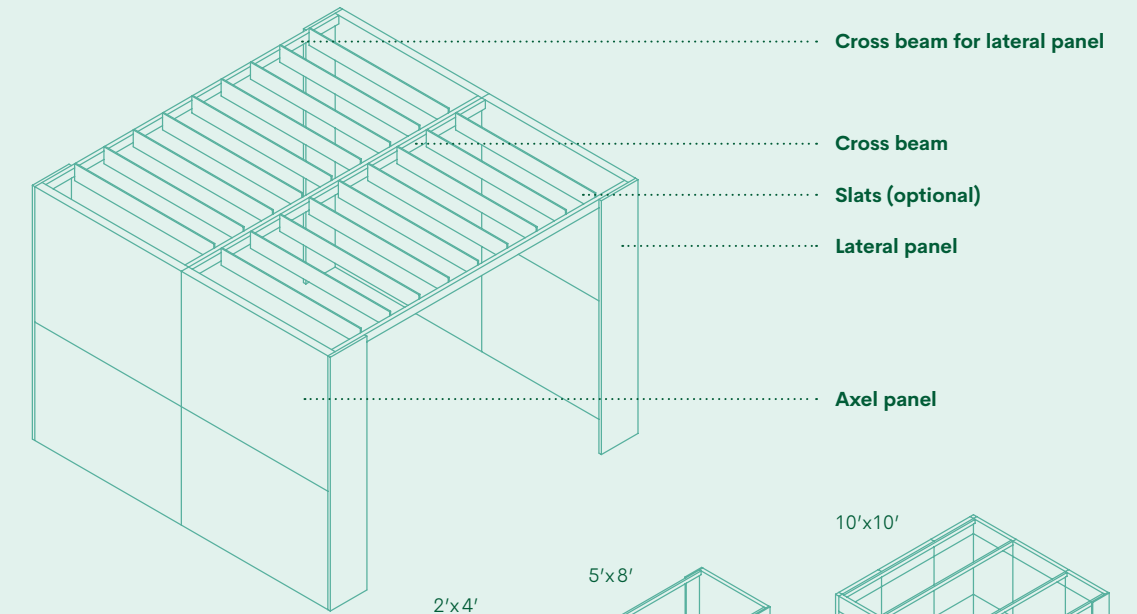
05. Support brackets



06. Surfaces, storage and complementary furniture



Axel pavilion construction



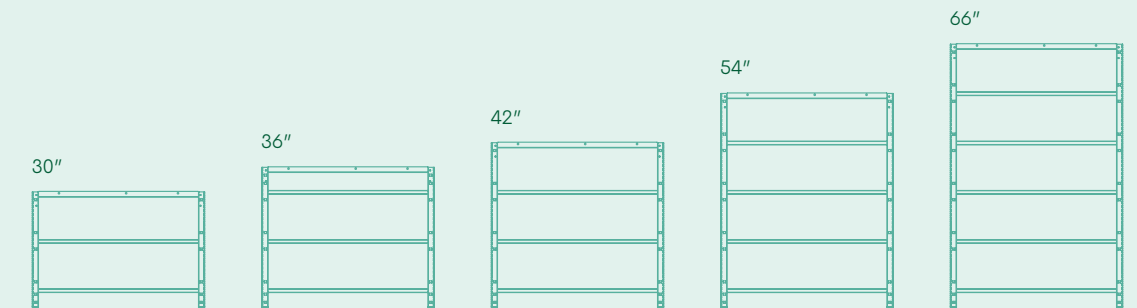
Dimension variations
2' x 4' à 10' x 10'

Frame dimensions

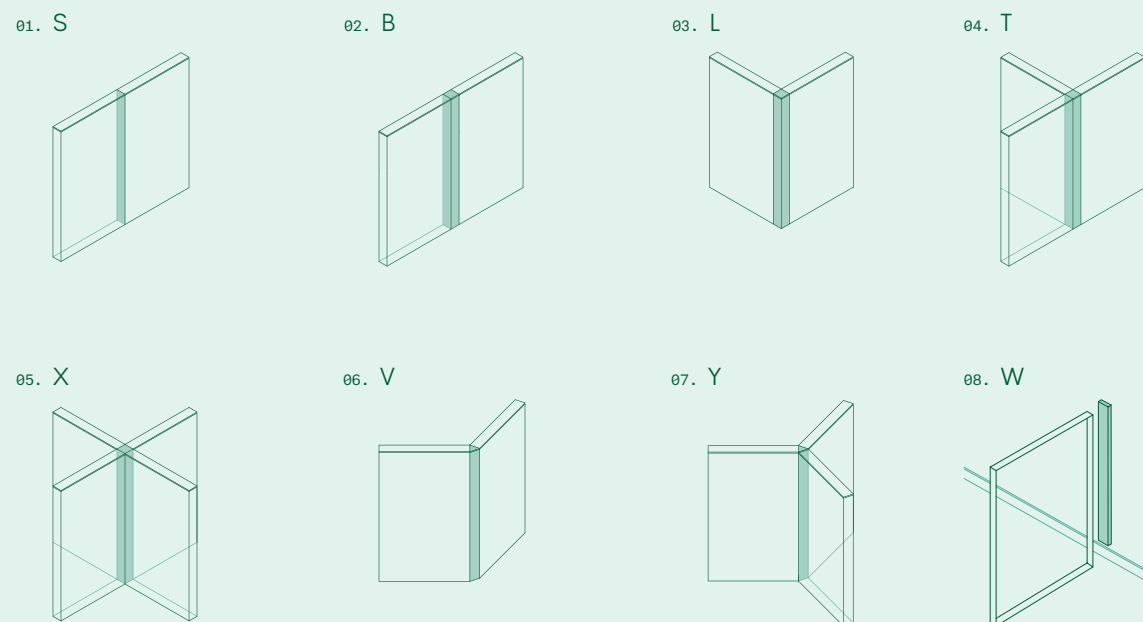
Base frame heights
30", 36", 42", 54", 66"

Stackable frame heights
12"

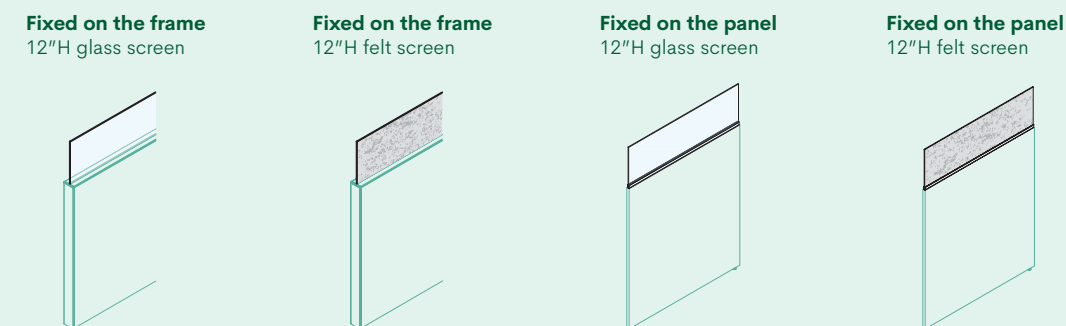
Widths
24", 30", 36", 42", 48", 54", 60"



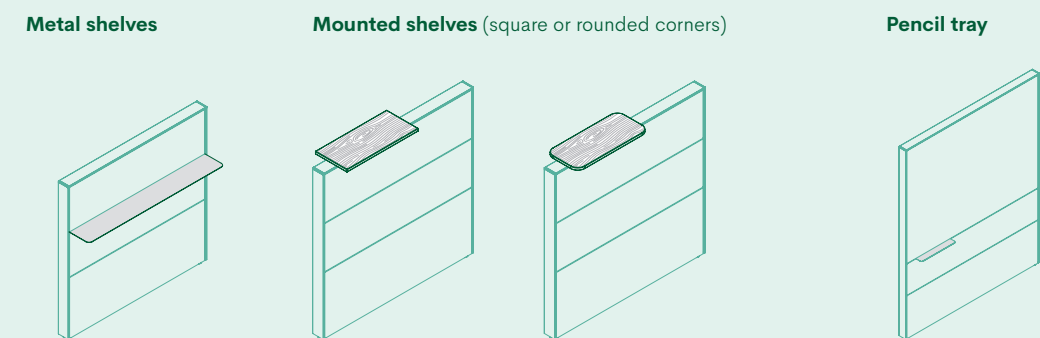
Connections and configurations



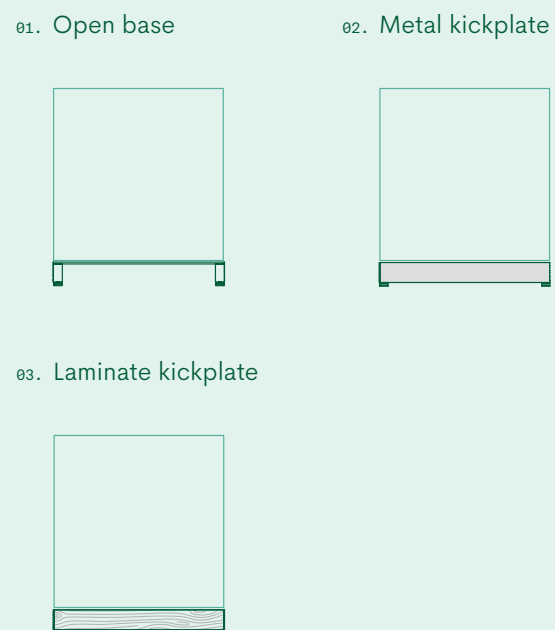
Screens - inserts



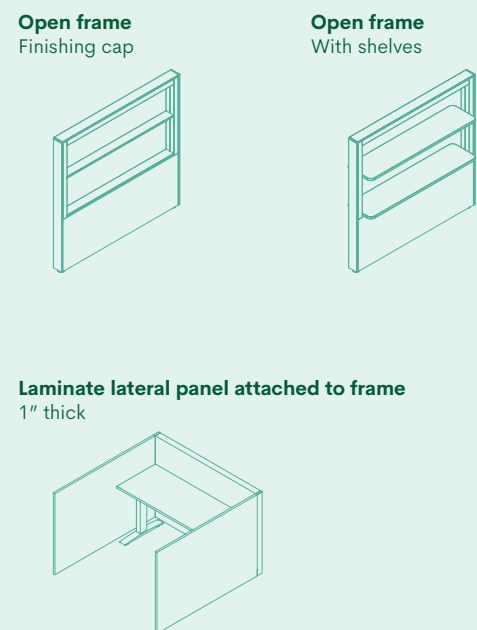
Complements



Kickplates and open bases



Open frames and lateral panel



Finishes

