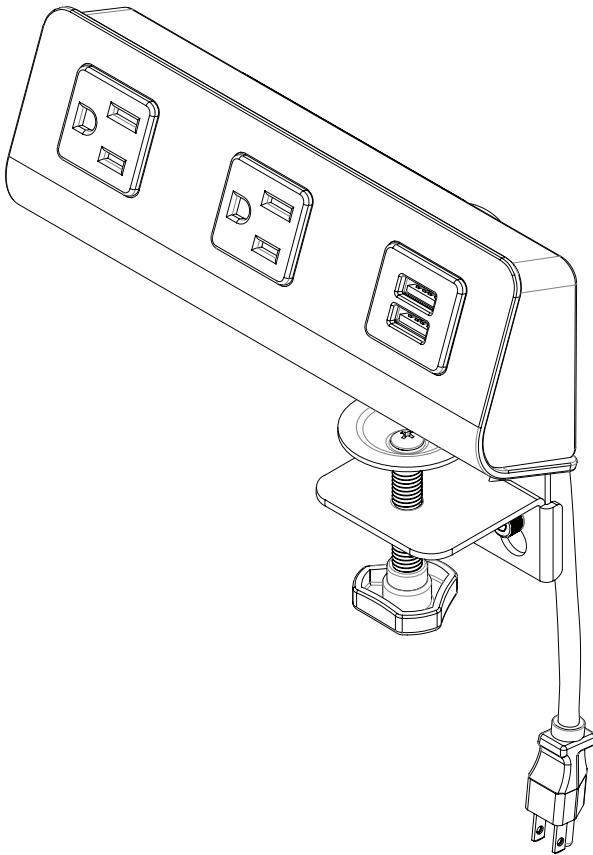


FlexCharge4-DSK-V2 Model FCH4-DSK

FCH4-DSK Rev C 11/17



INSTALLATION AND USE

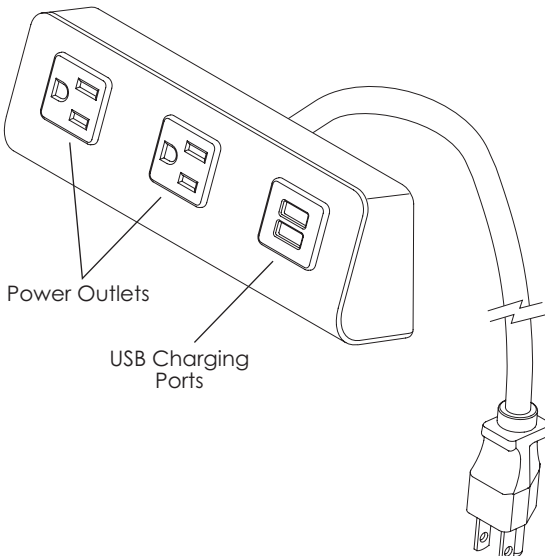
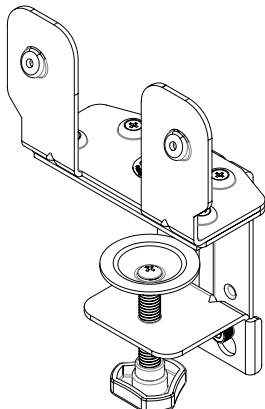
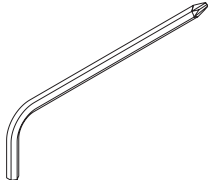


Safety Instructions

Always read the safety instructions carefully.

- Do not install near heat sources such as radiators, heat registers, stoves, or other equipment (including amplifiers) that produce heat.
- Unplug the unit during lightning storms or when unused for extended periods of time.
- To reduce the risk of fire or electric shock, do not expose this unit to rain or moisture, including any drips or splashes.
- Objects filled with liquids such as vases, should never be placed on or near the unit.
- Do not open due to risk of electric shock hazard.
- The outlet used to power the unit should be easily accessible and located near the equipment.
- The unit is for indoor use only.
- Please refer to the marking label on the unit for input and output ratings. Do not overload the power supply.
- DO NOT USE this product in life support applications where failure of this unit can reasonably be expected to cause the failure of the life support equipment or to significantly affect its safety or effectiveness is not recommended. Do not use this equipment in the presence of a flammable anesthetic mixture with air, oxygen or nitrous oxide.
- Failure to adhere to these instructions effectively voids the warranty.

PLEASE REVIEW these instructions before beginning the installation. Check that all parts and tools needed were provided with your order. Contact your supplier if any parts are missing. Do not discard the packaging until content that the product operates to your satisfaction.

PARTS AND TOOLS PROVIDED

<p>Power Module (1)</p>  <p>Power Outlets</p> <p>USB Charging Ports</p>	<p>Bottom Bracket (1)</p> 	
<p>M4 Allen Key (1)</p> 	<p>#6-32x1/4 Flathead Screw (4)</p> 	<p>M3x12 Panhead Screw (2)</p> 

CAUTION: Hand-tighten screws only.

ADDITIONAL TOOLS REQUIRED

- Phillips screwdriver
- Power drill with 1/8" drill bit (under-desk mounts only)

There are three ways to mount the FlexCharge4 power module:

- Edge Mount (page 3)
- Grommet Mount (page 5)
- Under-Desk Mount (page 7)

Choose the best mounting method based on user preference and the mounting circumstances.

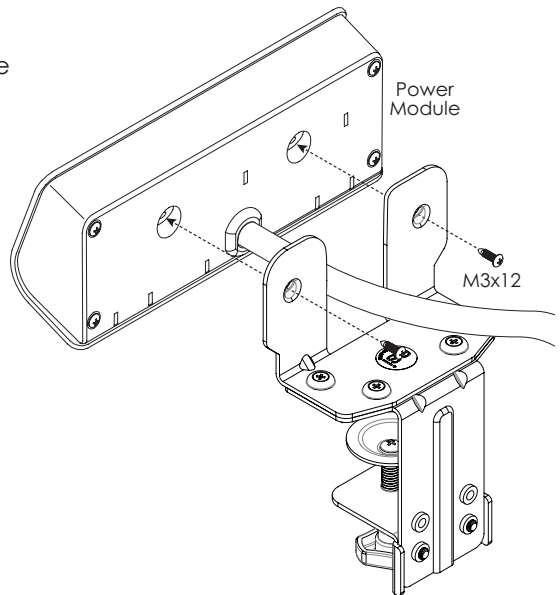
Desk Clamp

With the edge mount method, the product is clamped to the edge of the work surface.



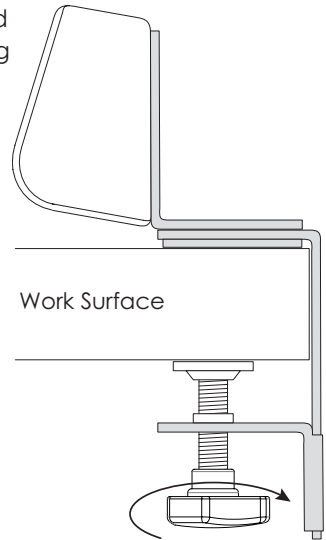
Assemble the Brackets and Clamp

- Route the power cord through the opening in the top bracket.
- Attach the top bracket to the rear of the power module using the two M3x12 panhead screws. Tighten securely.



Attach Bracket/Clamp Assembly to Power Module

- Position the assembly in the desired location and clamp securely to the work surface by tightening the triangle knob.
- Plug the power cord into an AC outlet



YOU ARE NOW READY to use the two AC power outlets and two USB charging ports on the FlexCharge4.

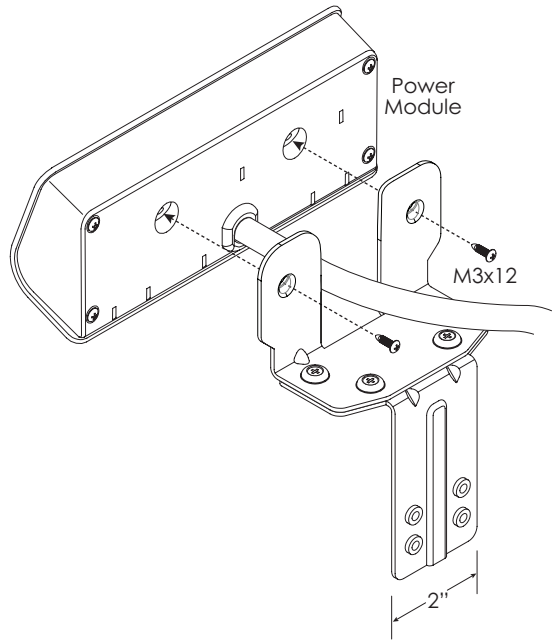
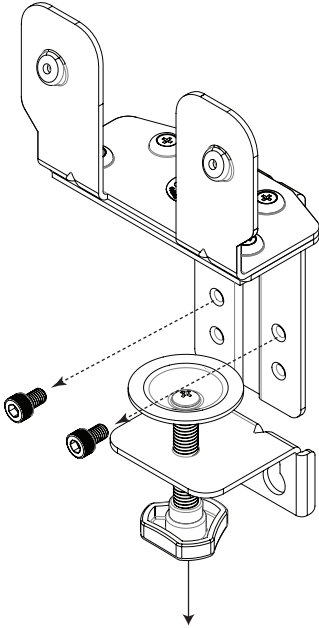
Desk Clamp

The grommet mount method is similar to the edge mount method, except here the assembly is clamped to the edge of a 2¼" grommet hole rather than the edge of the work surface.



Remove the Desk Clamp

- Loosen the (2) M5x8 socket cap screws using the M4 Allen key.
— Desk clamp can be removed.

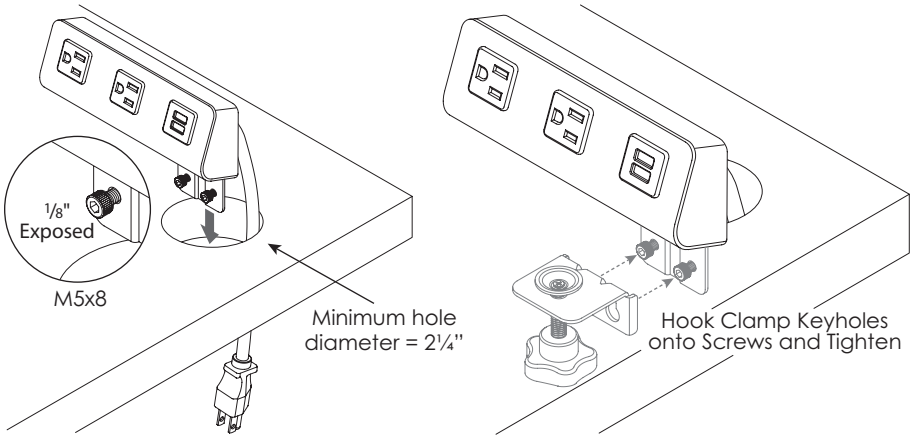


Attach Bracket Assembly to Power Module

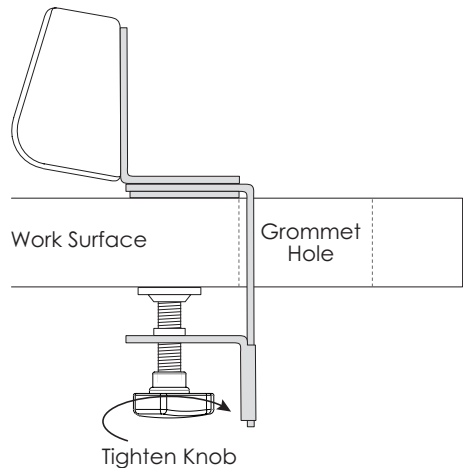
- Route the power cord through the opening in the top bracket.
- Attach the top bracket to the rear of the power module using the two M3x12 panhead screws. Tighten securely.

Clamp Power Module Assembly to Work Surface

- Retighten the two M5x8 screws to the bottom bracket, leaving about $\frac{1}{8}$ " exposed between the screw heads and the bracket.
 - With work surface thicknesses between $\frac{7}{8}$ " and 2", attach the screws to the bottom two holes. Attach the clamp to the top two holes if the work surface thickness is less than 1.5".
- Insert the bottom bracket through the grommet hole.



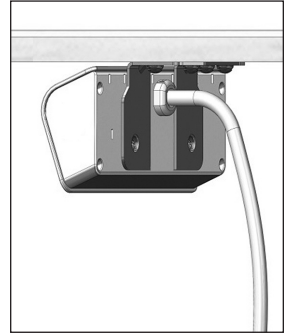
- Attach the clamp to the bottom bracket.
 - Fit the keyhole openings in the clamp over the M5x8 screw heads. Tighten the screws securely over the narrow portion of the keyholes using the M4 Allen key.
- Clamp the assembly securely to the work surface by tightening the triangle knob.
- Plug the power cord into an AC outlet.



YOU ARE NOW READY to use the two AC power outlets and two USB charging ports on the FlexCharge4.

Under-Desk Mount

With this method, the top bracket is turned upside-down so that it can be mounted to the underside of the worksurface with M4x14 wood screws. As with the other methods, the power module is mounted to the bracket using two M3x12 panhead screws.



Drill Pilot Holes

- Use the top bracket as a template to mark where holes.
- Drill 1/2" deep pilot holes using a 1/8" drill bit.

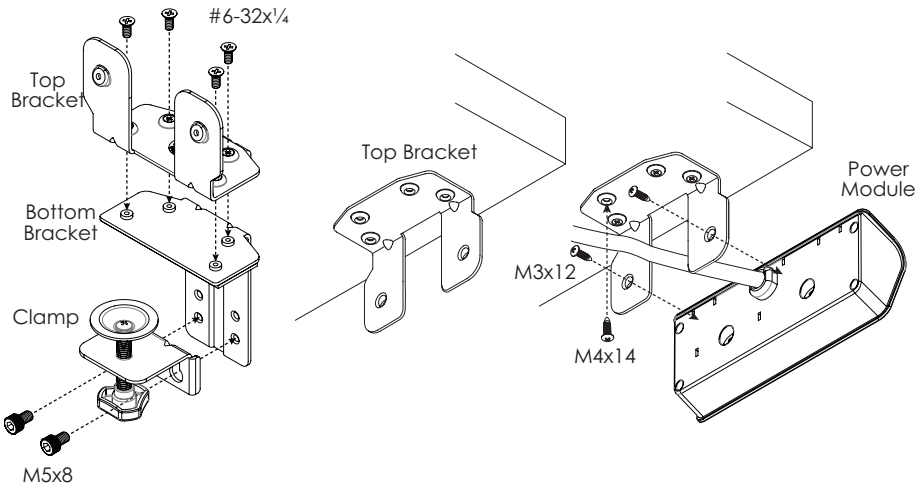
CAUTION: Be careful not to not drill through the top of the worksurface.

Remove the Desk Clamp

- Loosen the M5x8 socket cap screws using the M4 Allen key.
- Remove the bottom bracket by loosening the #6-32x1/4" flathead screws using a Phillips screw driver

Attach Bracket to Underside of Work Surface

- Route the power cord through the opening in the top bracket.
- Attach the bracket in the desired location (typically at the front of the work surface on the left or right side) using the four M4x14 wood screws. Tighten securely.



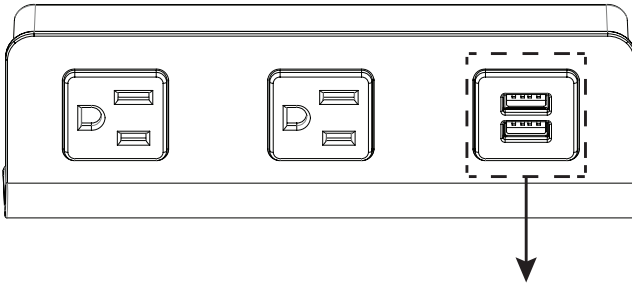
Attach Power Module to Bracket

- Route the power cord through the opening in the top bracket.
- Attach the power module to the bracket using the two M3x12 panhead screws. Tighten securely.

YOU ARE NOW READY to use the two AC power outlets and two USB charging

Additional Features

- Built-in surge protection
- Rotation AC outlet orientation designed to accommodate large plugs
- Complies with UL 962A Standard for Furniture Power Distribution Units and meets respective spill test criteria.



- 3.1A USB charging module can charge one tablet and one smart phone at the same time.



Please make an appointment to visit us at:
3401 Madison Street
Skokie, IL 60076
www.appliedergonomics.com

Call us: (847) 679-5148
Toll-free: (844) 859-9247
Fax: (847) 933-0018

Email the President directly
jmeltzer@appliedergonomics.com