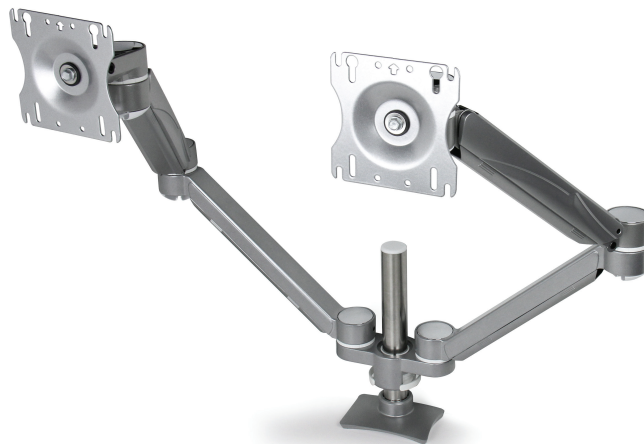


ERGOADVANTAGE™

BY APPLIED ERGONOMICS



79.7823*H09



79.7823*SH09

ErgoAdvantage Avia Standard Monitor Arm

The 79.7823*H09 has been designed to incorporate a look that is comparable to the height adjustable segment. The longer arm provides an extended reach to increase the sit-to-stand capabilities, giving the end user greater ergonomic options.

79.7823*H09

Features & Benefits

Flexibility and more options for the end user with a simple, easy-to-use Allen wrench adjustment

Double Extension models allow 25.1" of back and forth movement. Arm folds back to post for more desk space

Supports a 20 lbs load capacity (per screen)

Desk clamp and grommet mount hardware are included to minimize SKUs

Clamp and grommet adjustable to fit most desks and work surfaces

Cable manager keeps all cables hidden

Monitor mounting bracket, with Quick Connect, contains both 75mm and 100mm hole patterns to comply with VESA standards

Allows for a maximum 38" screen width

Choice of finishes – silver, white, black or polished

ErgoAdvantage Avia Dual Hub Monitor Arm

Flexibility and modularity reach new heights with the Dual Mounting Hub from ErgoAdvantage. The monitor arm hub provides an ideal solution for multiple monitor configurations. Discover the unlimited possibilities with the 79.7823*SH09.

79.7823*SH09

Features & Benefits

The Hub has a locking device to allow it to be firmly clamped to the pole, as well as preventing the hub from rotating, thereby eliminating any play from the monitors, while still allowing the monitor to tilt and swivel

Hub provides the end-user with the ability to mount two (42" max. width)

Modularity and scalability make this product one of the most adaptable monitor arm solutions available. Monitor arms can be added easily without using all new equipment or discarding parts.

Supports a 20 lbs load capacity (per screen)

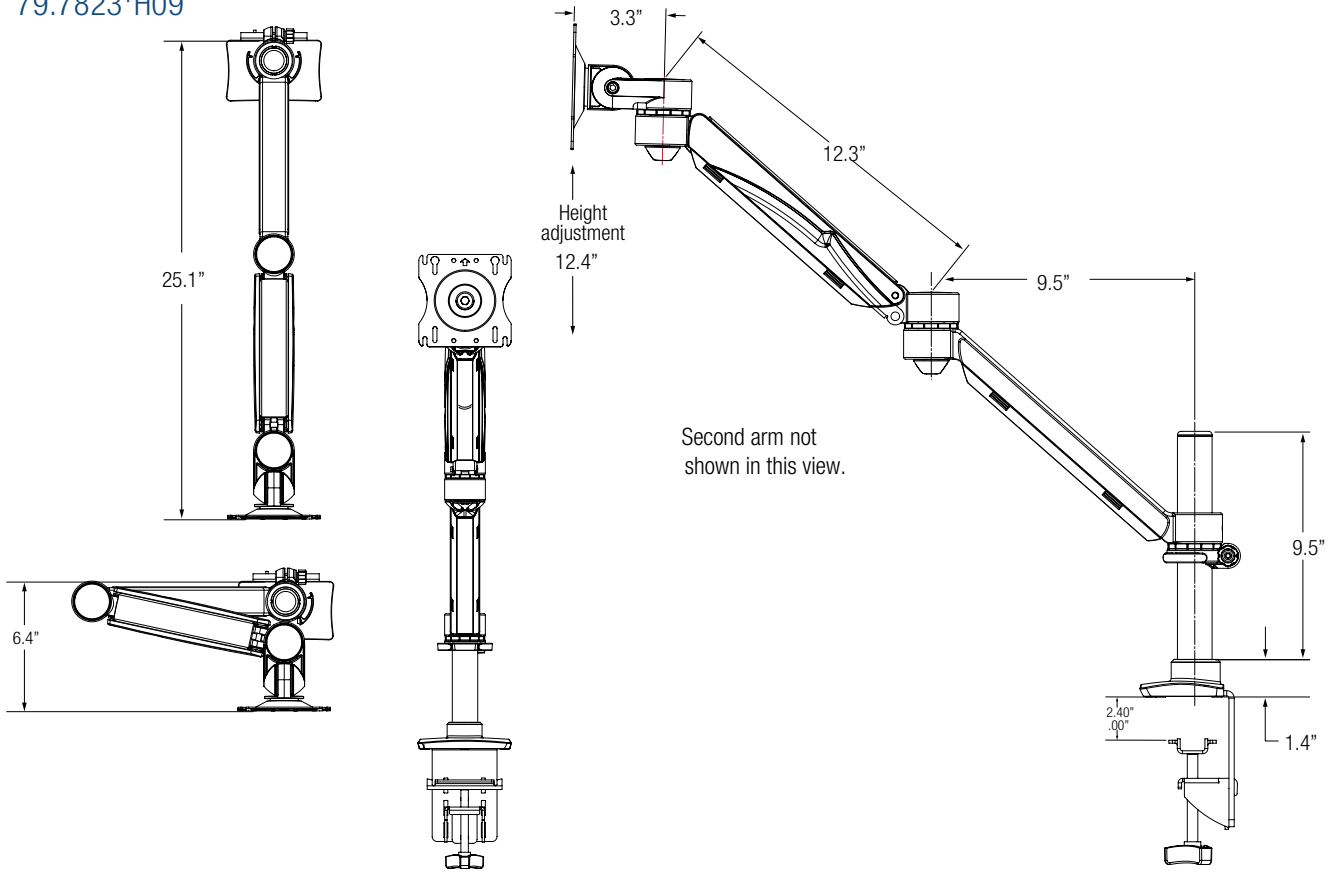
Cable manager keeps all cables organized

Desk clamp and grommet mount hardware are included to minimize SKUs

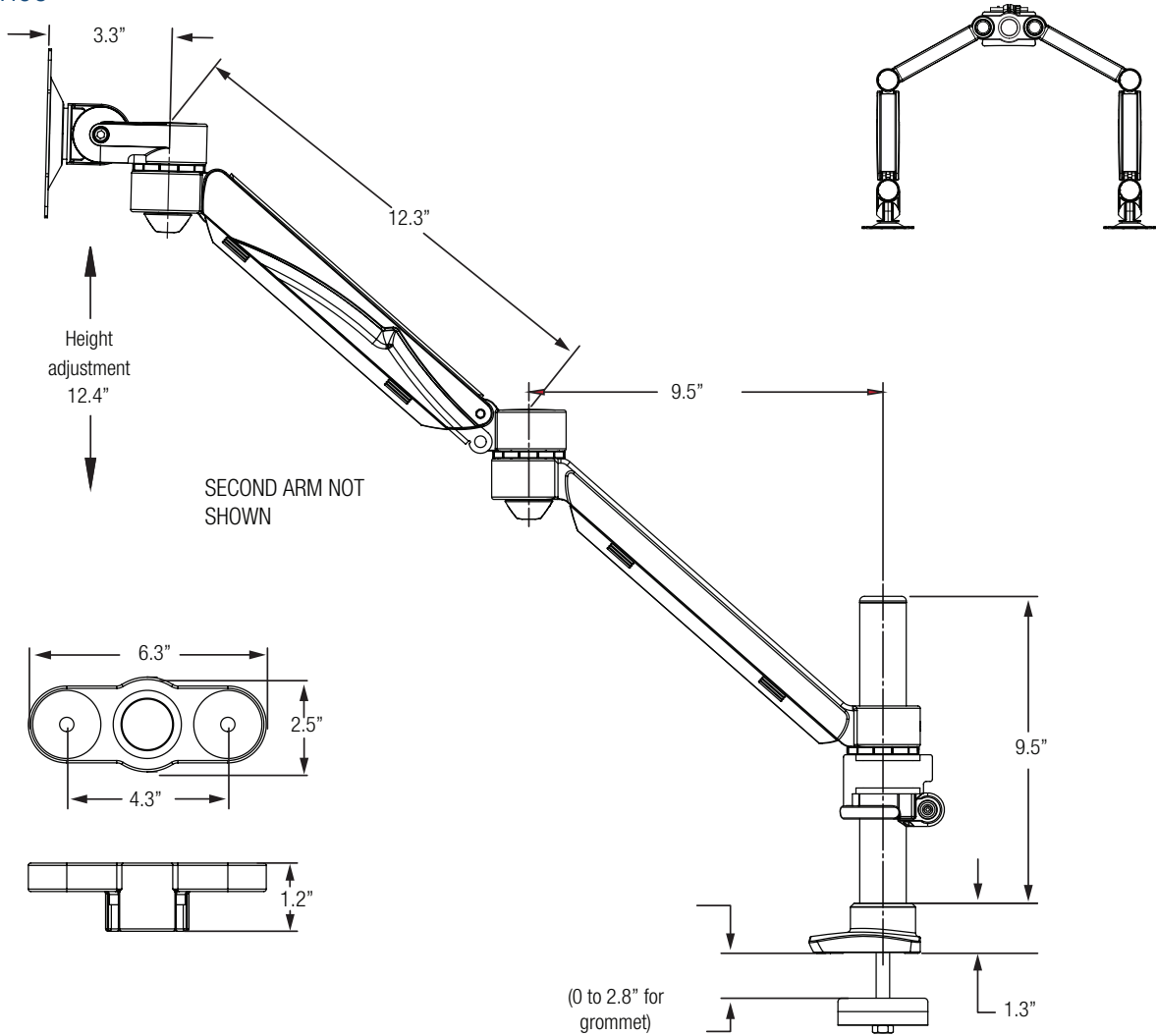
Clamp and grommet adjustable to fit most desks and work surfaces

Monitor mounting bracket, with Quick Connect, contains 75mm and 100mm hole patterns to comply with VESA standards

79.7823*H09



79.7823*SH09



ErgoAdvantage Avia Monitor Arm

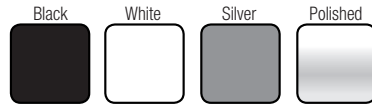
Model	Description
79.7823*H09	Dual-Screen, two Double-Extension Arms with one Height-Adjustable Segment and one Extended Fixed Segment
79.7823*SH09	Dual-Screen, two Double-Extension Arms, one Extended Length Fixed Segment + one Height Adjustable Segment, joined with one Dual Hub

Colour Options

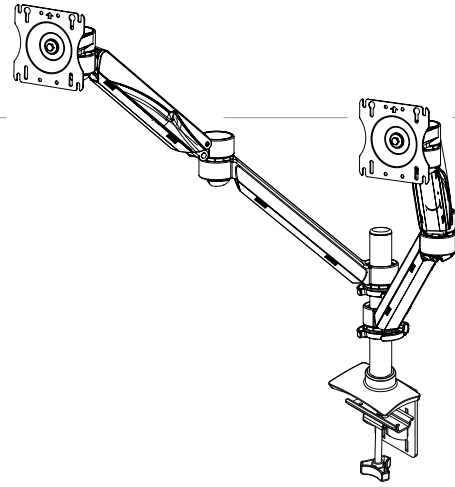
To specify colour, other than silver, replace the "S" in the part number with:

B = Black **W** = White **P** = Polished

For example, to get a "79.7823*H09" in White, order 79.7823WH09



Notes: 1. Weight = packaged shipping weight per unit. 2. Specifications are subject to change without notice.



Please make an appointment to visit us at:
3401 Madison Street
Skokie, IL 60076
www.appliedergonomics.com

Call us (847) 679-5148
Toll-free: (844) 859-9247
Fax: (847) 933-0018

Email the President directly
jmeltzer@appliedergonomics.com