

# ERGOADVANTAGE™

BY APPLIED ERGONOMICS



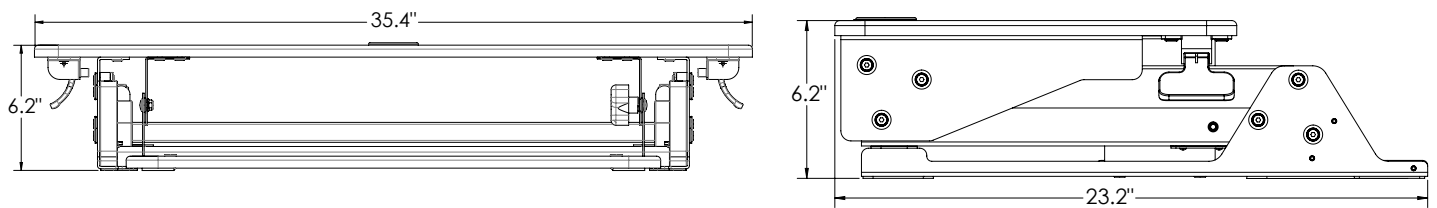
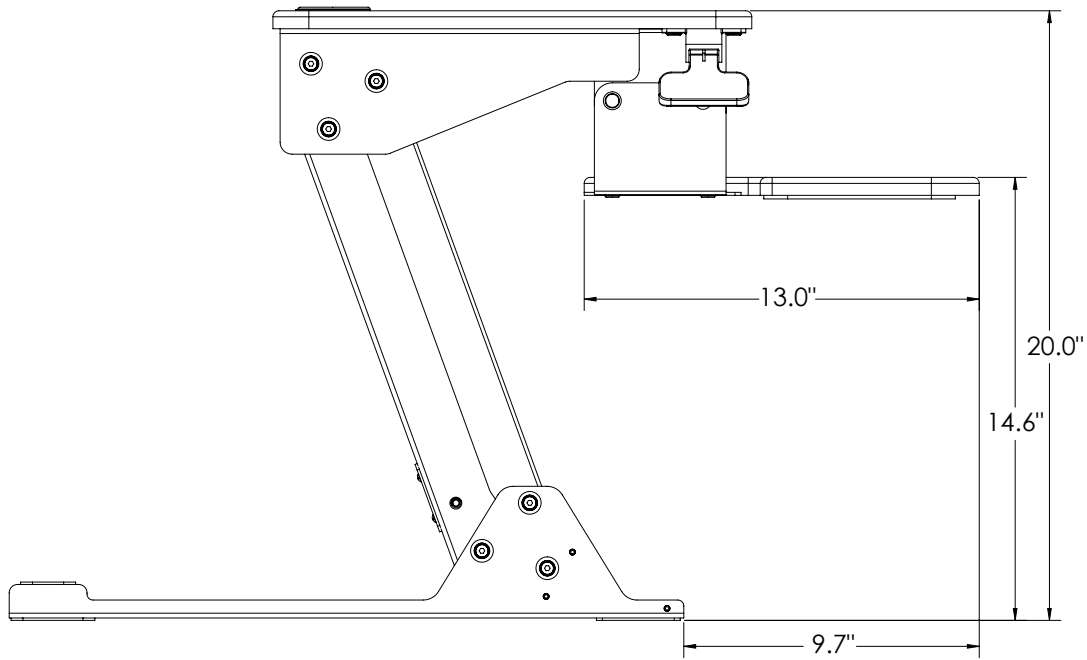
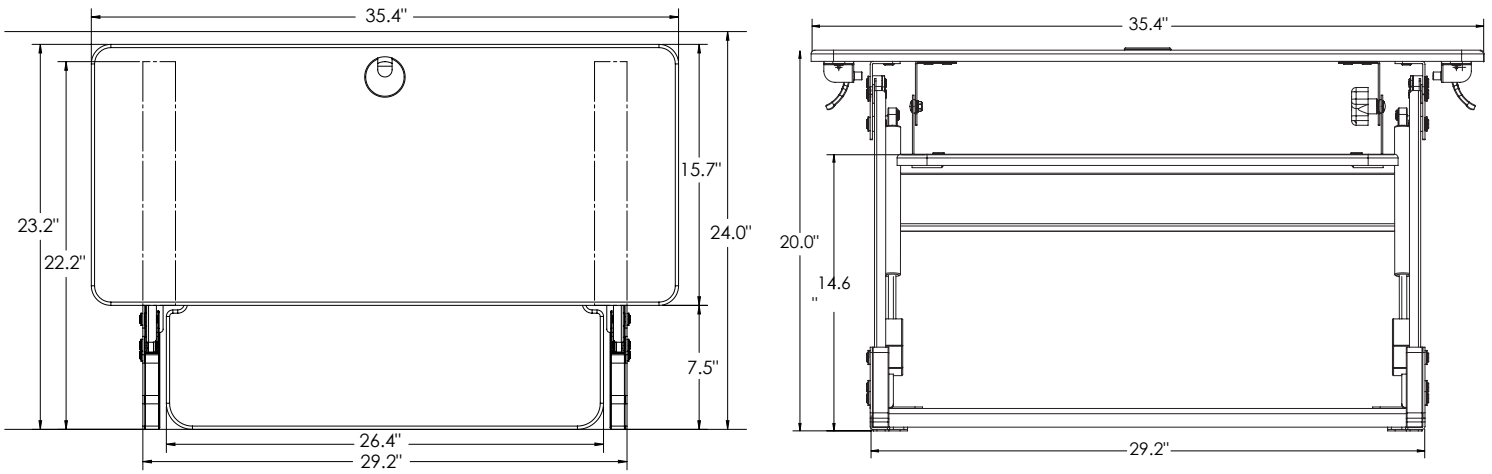
79.5230-B01

79.5230-Y01

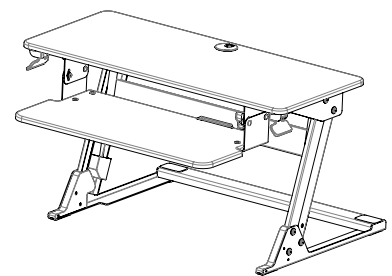
## ErgoAdvantage Desktop Sit-stand Workstation

The ErgoAdvantage Desktop Sit-stand Workstation, quickly and economically converts an existing desk to a smooth and effortless sit-stand

Features	Benefits
Ships fully assembled	No tools are required for installation making it easy to retrofit existing office space
Compact footprint	The Desktop Sit-stand Workstation easily fits onto a 24" deep desk
Gas assisted height adjustment	Provides smooth, quiet and infinite height adjustment through a 13.8" range allowing users to easily set the workstation to their ideal ergonomic position
Primary work surface can be extended 20" above the desk	A large height adjustment range accommodates a greater variety of users
Large useable primary work surface	The primary work surface is large enough to accommodate 2 x 24" monitors, monitor arms, an Apple iMac or laptop with monitor
Primary work surface grommet hole	Allows for cable management and attachment of a monitor arm to improve ergonomic functionality and to clear the secondary work surface
Keyboard surface adjusts with the primary work surface	Improved ergonomics over competitive units that are just one work surface
20° of keyboard surface tilt	Allows users to infinitely adjust the keyboard surface tilt from -10°/+10° for an ergonomic typing position, in the sitting or standing position
Clip-on mouse fence and cable manager	The moveable mouse fence has integrated cable slots to neatly control mouse cords
Supports 35 lbs. of technology	Strong enough to support users technology requirements
Weights 40 lbs.	Light enough for simple installation and moving from desk-to-desk
Two Year Warranty	Tested to 15,000 cycles, the Volante provides worry free reliability
Available in black or white	Two neutral colors to match any office design décor



## ErgoAdvantage Desktop Sit-stand Workstation



Model	Description	Weight Capacity	Box Size	Shipping Weight	Color	Weight
79.5230-B01	Desktop Sit-Stand Workstation	35 lbs.	27.5" w x 38" l x 8" h	47 lbs.	Black	40 lbs.
79.5230-Y01	Desktop Sit-Stand Workstation	35 lbs.	27.5" w x 38" l x 8" h	47 lbs.	White	40 lbs.

Notes: 1. Weight = packaged shipping weight per unit. 2. Specifications are subject to change without notice.



Please make an appointment to visit us at:  
 3401 Madison Street  
 Skokie, IL 60076  
[www.appliedergonomics.com](http://www.appliedergonomics.com)

Call us  
 (847) 679-5148  
 Toll-free: (844) 859-9247  
 Fax: (847) 933-0018

Email the President directly  
[jmeltzer@appliedergonomics.com](mailto:jmeltzer@appliedergonomics.com)