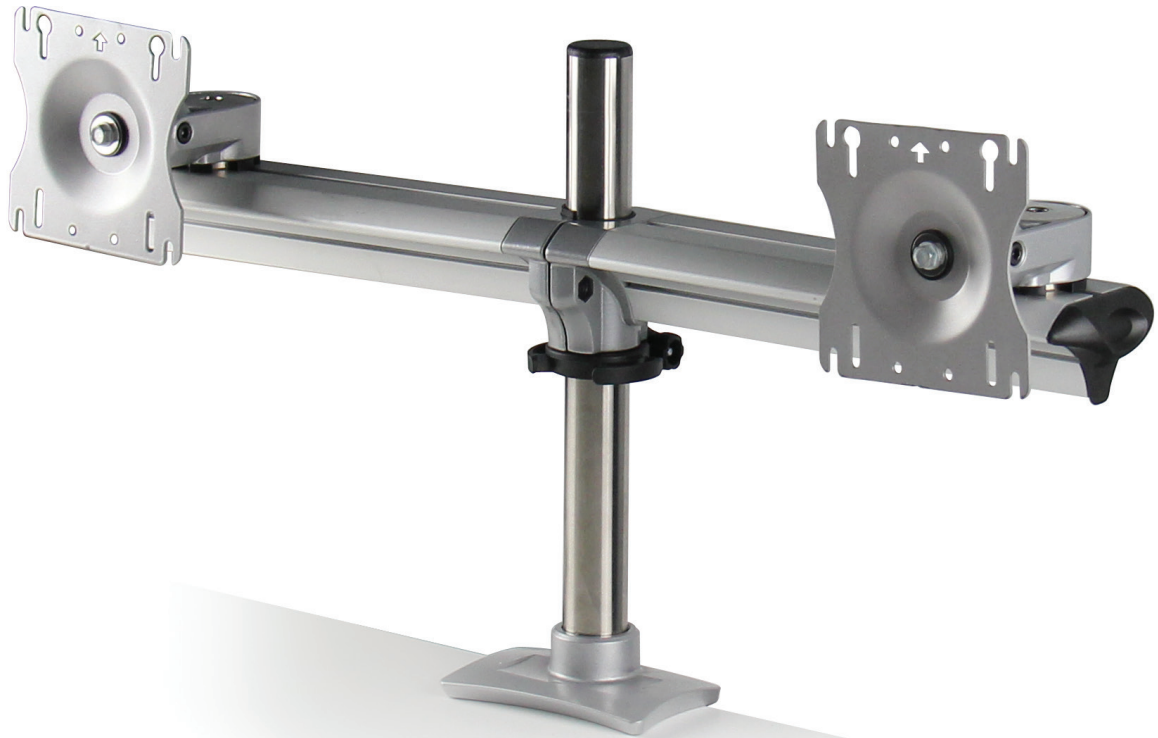


# ERGOADVANTAGE™

BY APPLIED ERGONOMICS



79.7825S

## ErgoAdvantage Dual Monitor Arm

The 79.7825S fills the need in today's office for flat panel display support that can adapt to a wide variety of configurations and applications. The economical double screens give the user the ability to quickly find the ultimate ergonomic position for the flat panel display at an affordable price.

### *7800 series*

#### Features & Benefits

Flexibility and more options for the end user with a simple, easy-to-use Allen wrench adjustment

The 79.7825S supports a 20 lbs load capacity (per screen)

The arm swivels 360° around the base, increasing the options for display position

Options are available for panel, wall and slatwall mounting configurations

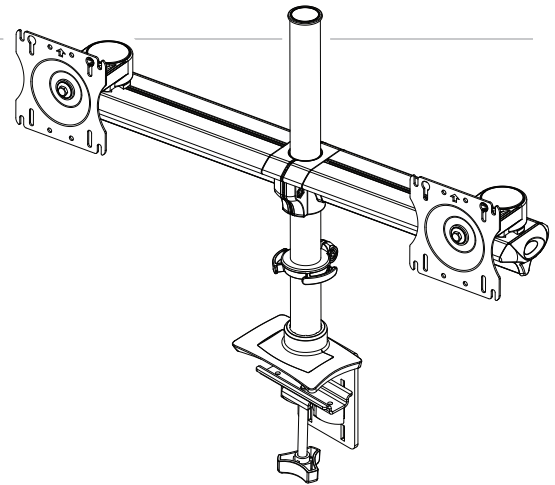
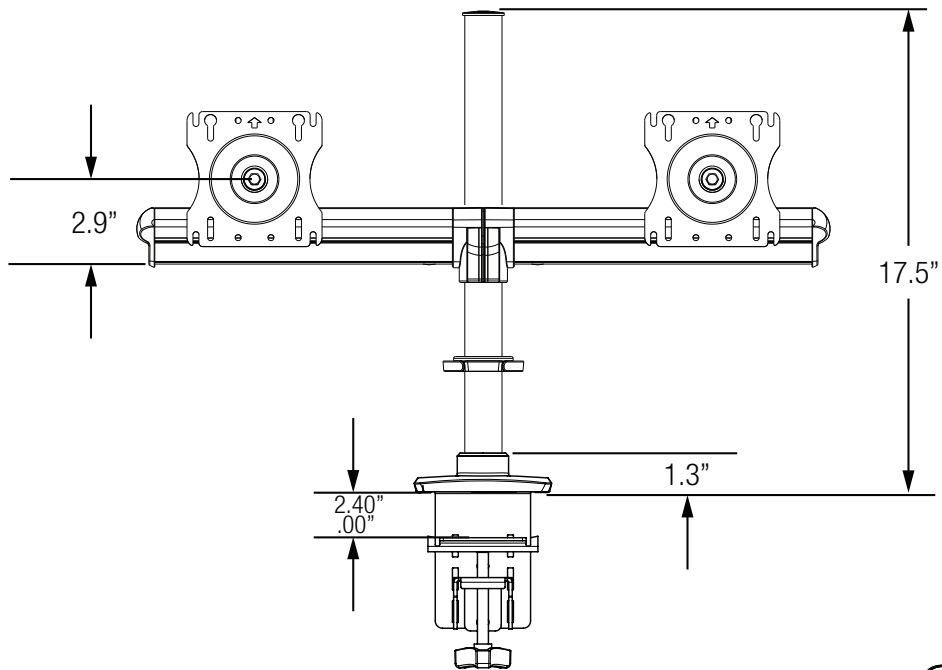
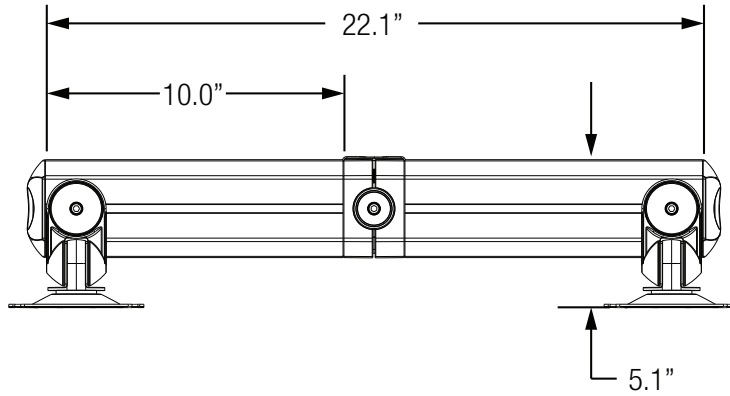
Desk clamp and grommet mount hardware are included to minimize SKUs

Clamp and grommet adjustable to fit most desks and work surfaces

Monitor mounting bracket, with Quick Connect option, contains both 75mm and 100mm hole patterns to comply with VESA standards

Pole allows manual height adjustment

Allows for a maximum 20" screen width



## ErgoAdvantage Dual Monitor Arm

Model	Description
79.7825S	Double-Screen, two monitor mounts on beam

### Colour Options

To specify colour, other than silver, replace the "S" in the part number with:

**B** = Black **W** = White

For example, to get a "79.7825S" in white, order 79.7825W.



Note: Specifications are subject to change without notice.