

ERGOADVANTAGE™

BY APPLIED ERGONOMICS



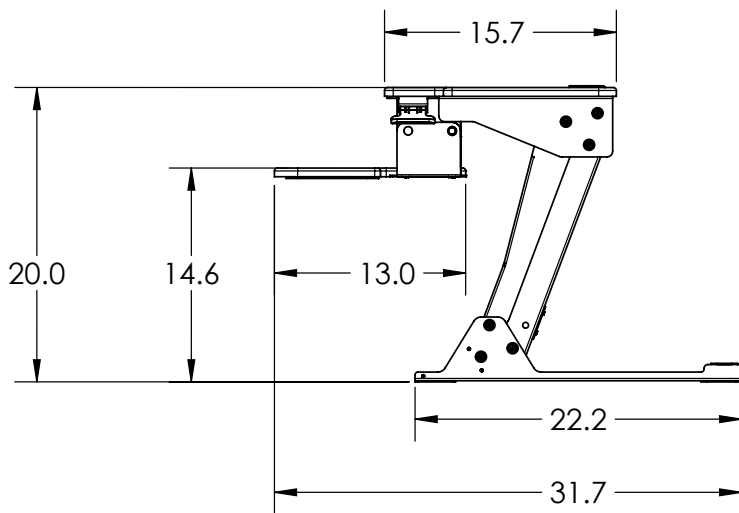
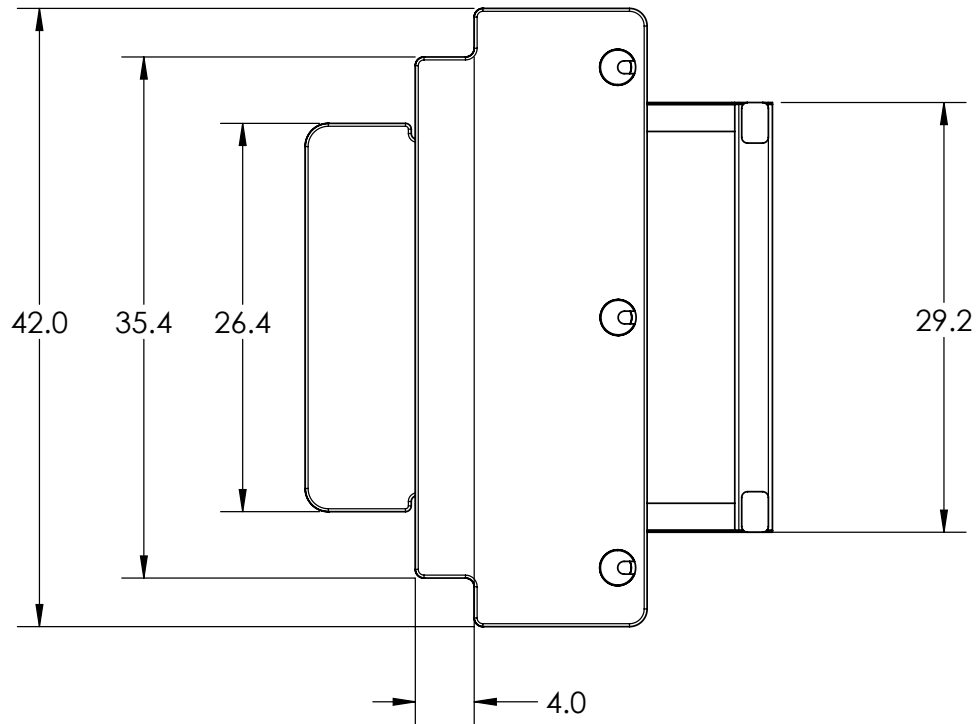
79.5230-B02

ErgoAdvantage Heavy Duty Desktop Sit-stand Workstation

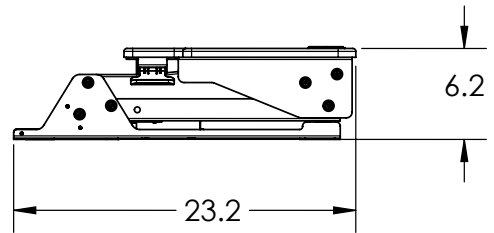
The ErgoAdvantage Heavy Duty Desktop Sit-stand Workstation, quickly and economically converts an existing desk to a smooth and effortless sit-stand workstation.

With a new 42" wide primary work surface and a robust 45 lbs. load capacity, the ErgoAdvantage Heavy Duty Desktop Sit-stand Workstation can easily accommodate 2 x 27" monitors and still have extra space for other work tools.

Features	Benefits
Large useable primary work surface	The primary work surface is 42" wide to accommodate 2 x 27" monitors, monitor arms, an Apple iMac or laptop with monitor
Single paddle height adjustment control	Simplified single paddle allows for added control when raising and lowering the workstation
Gas assisted height adjustment	Provides smooth, quiet and infinite height adjustment through a 14.6" range allowing users to easily set the workstation to their ideal ergonomic position
Primary work surface can be extended 20" above the desk	A large height adjustment range accommodates a greater variety of users
Three primary work surface grommet holes	Allows for cable management and attachment of a monitor arm to improve ergonomic functionality and to clear the secondary work surface
Keyboard surface adjusts with the primary work surface	Improved ergonomics over competitive units that are just one work surface
20° of keyboard surface tilt	Allows users to infinitely adjust the keyboard surface tilt from -10°/+10° for an ergonomic typing position, in the sitting or standing position
Clip-on mouse fence and cable manager	The moveable mouse fence has integrated cable slots to neatly control mouse cords
Compact footprint	The Desktop Sit-stand Workstation easily fits onto a 24" deep desk
Ships fully assembled	No tools are required for installation making it easy to retrofit existing office space
Weights 43 lbs.	Light enough for simple installation and moving from desk-to-desk
Supports 45 lbs. of technology	Strong enough to support users technology requirements
Two Year Warranty	Tested to 15,000 cycles, it provides worry free reliability
Available in black	A neutral color to match any office design décor



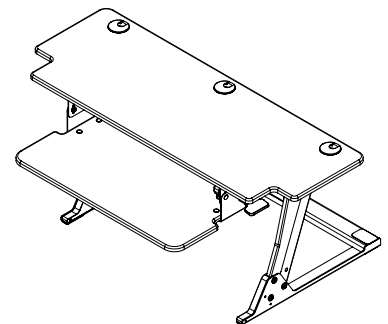
TOP POSITION



BOTTOM POSITION

ErgoAdvantage Heavy Duty Desktop Sit-stand Workstation

Model	Description	Weight Capacity	Box Size	Shipping Weight	Color	Weight
79.5230-B02	Heavy Duty Desktop Sit-Stand Workstation	45 lbs.	27.5" w x 44" l x 8" h	55 lbs.	Black	43 lbs.



Notes: 1. Weight = packaged shipping weight per unit. 2. Specifications are subject to change without notice.



Please make an appointment to visit us at:
 3401 Madison Street
 Skokie, IL 60076
www.appliedergonomics.com

Call us
 (847) 679-5148
 Toll-free: (844) 859-9247
 Fax: (847) 933-0018

Email the President directly
jmeltzer@appliedergonomics.com