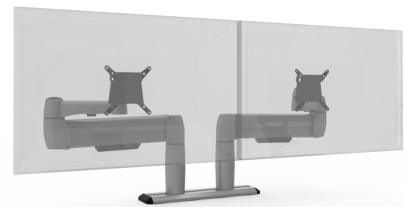


The Modula Multi flex mount is a metal extrusion/sliding rail that allows the user to mount Modula Monitor Arms, Wave Lights and more to a rail so they can freely adjust them horizontally on the surface. This helps make accommodations for the wide screen monitors and users that desire optimum flexibility.

Mounting rail is only available in Platinum. Hubs are available in Black, White, Platinum and Champagne. Additionally, it is available as a clamp and bolt thru mount application. When specifying, specify the rail length and mount. Then, specify the monitor arm(s) or Wave Light separately.



Modula Single Monitor Arm
64.SA01



Modula Tiered Monitor Arm
64.SA11



All arms above are shown with direct VESA mount plate. Quick Change (QC) mount plate is optional and shown here.

Environmental Design Attributes

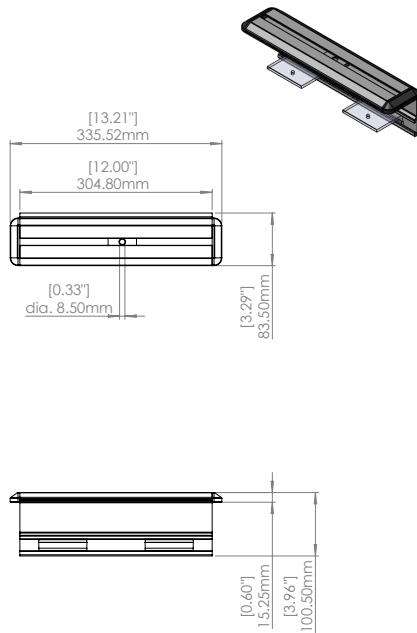
- Arm:
- Recycled content of aluminum - 100%
 - Recyclable aluminum after use - 100%
- Cardboard Packaging:
- Recycled content - 20%
 - Recyclable after use - 100%
- Pulp Tray:
- Recycled content - 100%
 - Recyclable after use - 100%
- Plastic Packaging:
- Low density polyethylene
 - Recycled content - 30%
 - Recyclable after use - 100%

Benefits

- Security - Keep your monitors and hardware safe with anti-theft features.
- Storage - Keep monitors up and out of the way to increase work flow area.
- Organization - Easy access and alignment for multiple monitor or laptop applications.
- Ergonomic - A wide range of adjustments puts your monitor in the most ergonomic position for your needs.
- Space - Increases space efficiencies by positioning the monitor on an arm. This makes more space useable.
- Technology - As your technology needs change, so will the Arm—it is lexible and adaptable.
- Environment - Sustainability is an inherent design feature.

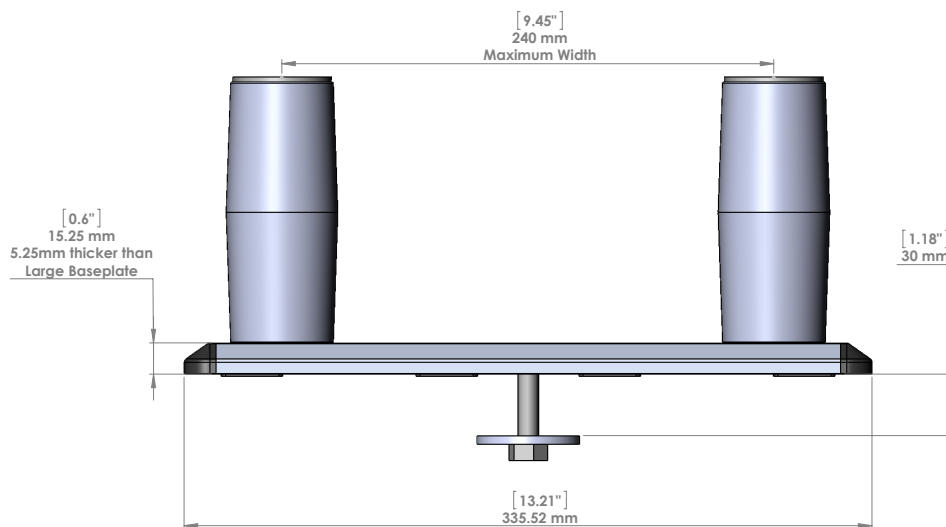
TECHNICAL SPECS

C-Clamp



NOTE: Standard lengths track is 12"
Custom Lengths over 12" are available.

Bolt-Through



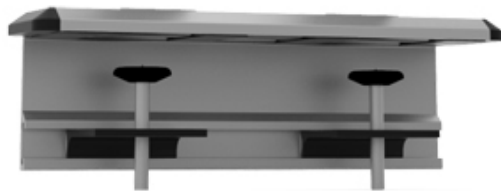


Modula Monitor Arms Quick Change Multi-Flex Mount in Platinum



Wave Light Multi-Flex Mount in Platinum

MOUNTING OPTIONS



Multi-Flex C-Clamp



Multi-Flex Bolt Through

We also carry Vertical Mounts compatible with panel systems from. ...

COLOR OPTIONS

Platinum
PLT



Black
BLK



White
WHT



Champagne
CHA



Technical Specs

- Thermo -fused polyester finish
- High pressure die - cast aluminum construction
- 5 - axis position adjustment
- Conforms to VESA 75mm x 75mm, 100mm x 100mm and 100mm x 200mm mounting patterns
- 40 degrees of tilt (20 degrees+/20 degrees-)
- 360 degree monitor rotation
- 360 degree arm rotation
- 2.5" (63.5mm) depth in the folded position
- 4" (355.6mm) of travel (7" (177.8mm) above the center of hub and 7" (177.80mm) - below the center of hub)
- Gas spring standard 5-16lbs (2.67kg - 7.25kg)
- Gas spring options, 2-10lbs (.90kg - 4.53kg) and 15-32lbs (6.8kg-14.51kg)
- Quick Change Mount and Direct Mount for monitor application
- Mounts available: Bolt through, C-Clamp, Large C-Clamp, Grommet, Single Resolve, Double Resolve, Race, Wall, Column, SpaceBeam 1, SpaceBeam 2, Adjustable Slatwalls and a multitude of panel system brackets.