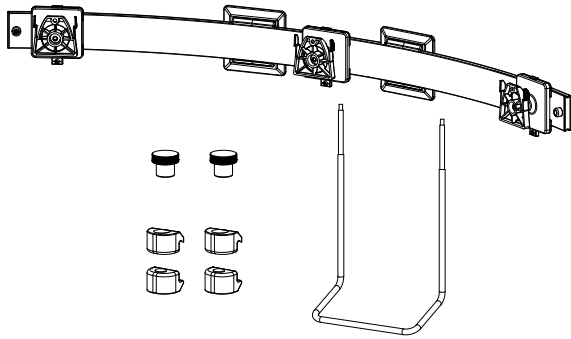


Required Tools:
 M4 Allen wrench
 Phillips Screwdriver

Contents:

#	QTY	Name
1	1	Multiple Monitor Bracket
2	2	Handle Cap
3	4	Handle Claw
4	1	Handle



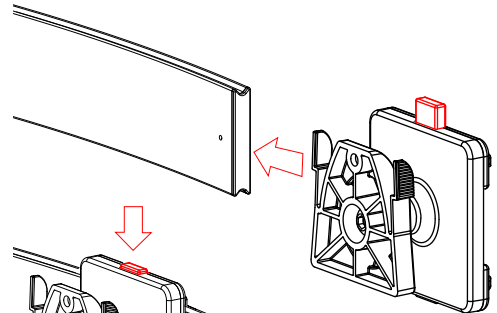
US Patent: 6,695,270 B1 6,758,454 B2 7,316,377 B2

ERGOADVANTAGE™
 BY APPLIED ERGONOMICS

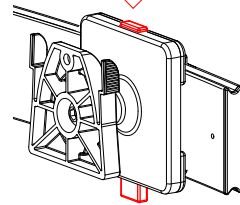
SMM03QC

ErgoAdvantage Modula
 Multi-monitor Rail Arm

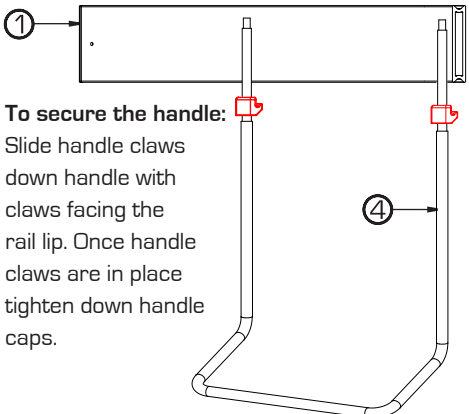
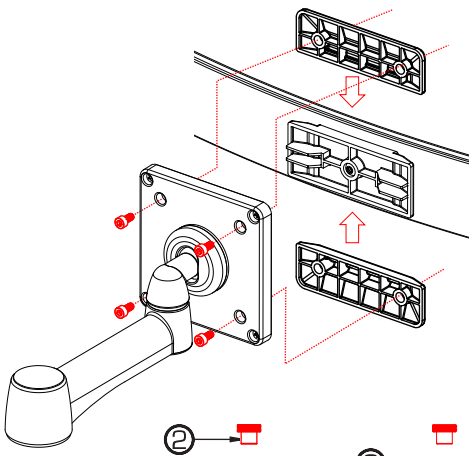
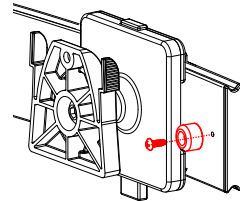
Slide mount
 onto rail with
 tab in up
 position



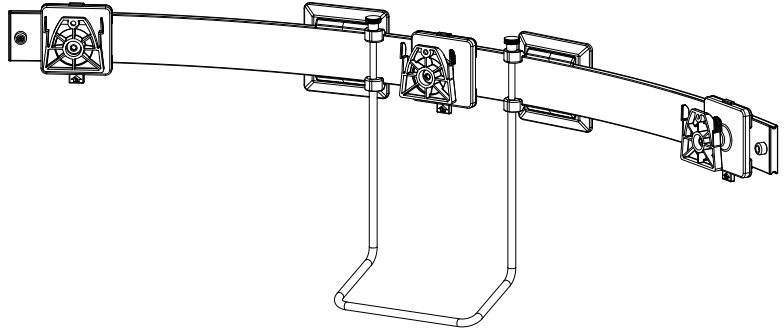
Push tab down
 to lock in place



Apply screw
 and rubber
 stop.



To secure the handle:
 Slide handle claws
 down handle with
 claws facing the
 rail lip. Once handle
 claws are in place
 tighten down handle
 caps.



DISCLAIMER OF DAMAGES FOR IMPROPER USE. SpaceCo shall not be responsible for damage to its products, or injuries or damages caused by its products, resulting from improper installation, maintenance, unintended use or attempts to operate such products beyond their mechanical capacity, intentionally or otherwise, or by reason of unauthorized repair.



Please make an appointment to visit us at:
 3401 Madison Street
 Skokie, IL 60076

Call us
 (847) 679-5148
 Toll-free: (844) 859-9247
 Fax: (847) 933-0018

Email the President directly
 jmeltzer@appliedergonomics.com