

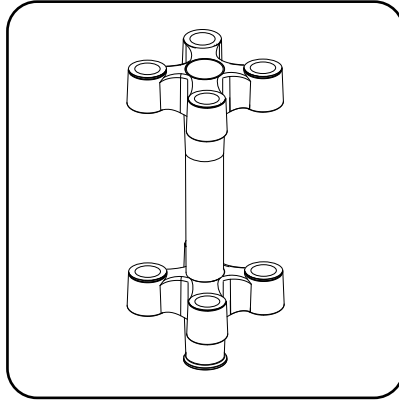
# ERGOADVANTAGE™

BY APPLIED ERGONOMICS

## 64.SA44QC-BT

ErgoAdvantage Modula Quad Tiered  
Monitor Arm

US Patent: 6,695,270 B1 6,758,454 B2  
7,316,377 B2

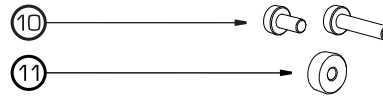
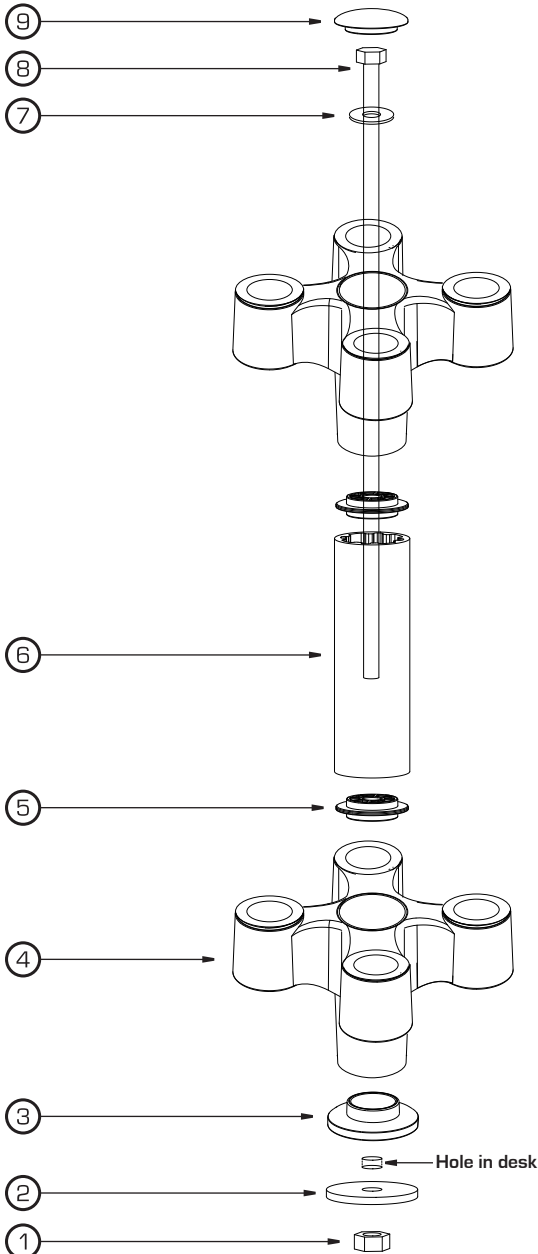


### Required Tools:

- 17 mm Socket
- 5mm Allen Key (Included)
- #2 Phillips Screwdriver

### Contents:

#	QTY	Part Name
1	01	Nut
2	01	M10 Washer
3	02	Base Plate
4	02	Quad Hub
5	02	Stacking Spacer
6	01	8" Extension Tube
7	01	M10 Washer
8	01	M10 Bolt
9	01	Base Cap
10	64	Monitor Screws
11	32	Plastic Washer
12	08	Standard SpaceArm



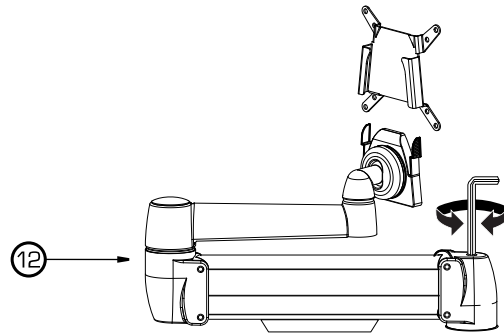
### Monitor Mounting

Hardware package includes both short and long screws and plastic washers.

The long screws & plastic washers should be used for recessed monitor mounts.

### Adjusting Counter Balance

\*Required Tool: 5mm Allen Wrench



Position Arm so it is parallel to desk surface.  
Turn bolt clock wise for lighter monitors.

### Cable Routing

