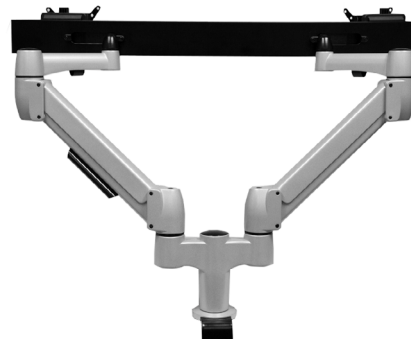


MODULA MULTI-MONITOR RAIL ARM

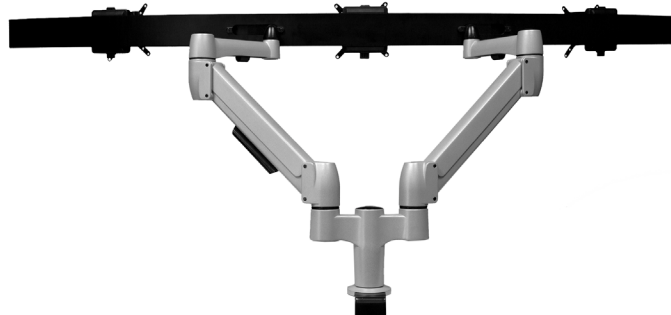
Mount dual monitors on a single arm or multiple monitors on a double arm using our rail solutions.



Single Arm Dual Monitor
64.SMM02SA01



Dual Monitor Dual Arm
64.SMM22SA02



Three Monitor Dual Arm
64.SMM03SA02

All arms above are shown with optional Quick Change (QC) mount plate.

Environmental Design Attributes

Arm:

- Recycled content of aluminum - 100%
- Recyclable aluminum after use - 100%

Cardboard Packaging:

- Recycled content - 20%
- Recyclable after use - 100%

Pulp Tray:

- Recycled content - 100%
- Recyclable after use - 100%

Plastic Packaging:

- Low density polyethylene
- Recycled content - 30%
- Recyclable after use - 100%

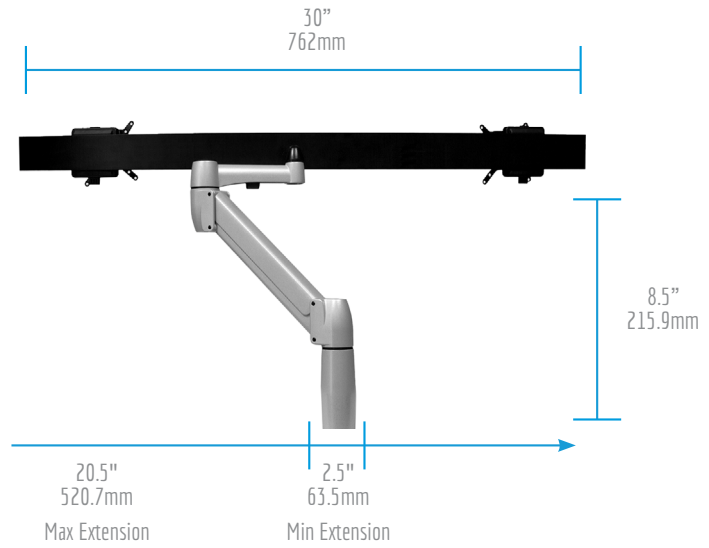
Benefits

- Security - Keep your monitors and tablets safe with anti-theft features.
- Positioning - Easy access and alignment for multiple monitor or tablet applications.
- Organization - Easy access and alignment for multiple monitors.
- Ergonomic - A wide range of adjustments puts your monitor in the most comfortable position for you.
- Space - Increases work surface efficiencies by positioning the monitor on an arm.
- Technology - Flexible and adaptable for inevitable upgrades.
- Environment - Reusable and sustainable product design.

Single Arm Dual Monitor
64.SMM02SA01

Length of extrusion:
Fits 2; 24" 609.6mm
widescreen monitors

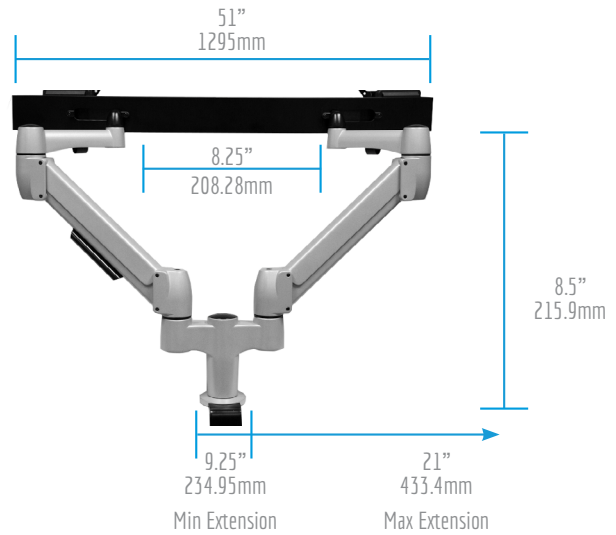
Available weight ranges:
2-10lbs. 5-16lbs. or 15-30lbs.
0.9-4.5kg 2.67-7.25kg or 7-14kg



Dual Monitor Dual Arm
64.SMM22SA02

Length of extrusion:
Fits 2; 24" 609.6mm
widescreen monitors

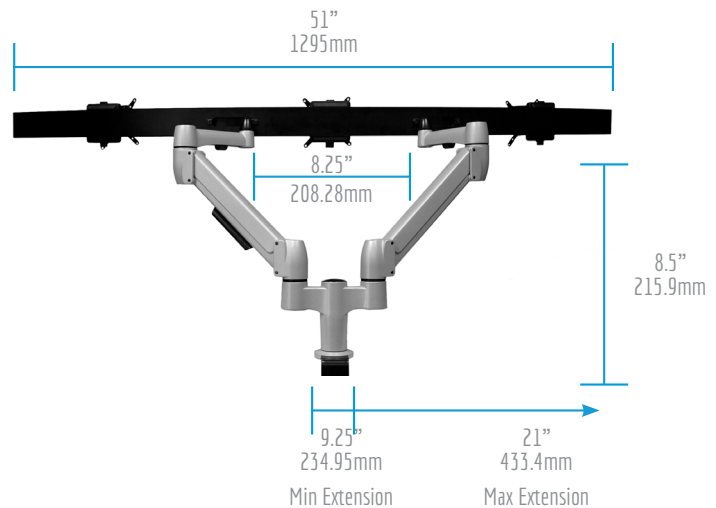
Available weight ranges:
2-10lbs. 5-16lbs. or 15-30lbs.
0.9-4.5kg 2.67-7.25kg or 7-14kg



Three Monitor Dual Arm
64.SMM03SA02

Length of extrusion:
Fits 2; 24" 609.6mm
widescreen monitors

Available weight ranges:
2-10lbs. 5-16lbs. or 15-30lbs.
0.9-4.5kg 2.67-7.25kg or 7-14kg



MOUNTING OPTIONS



Bolt Through
BT

We also carry Vertical Mounts compatible with panel systems from....

COLOR OPTIONS

Platinum
PLT



Black
BLK



White
WHT



Champagne
CHA



Technical Specs

- Thermo-fused polyester finish
- High pressure die-cast aluminum construction
- 5-axis position adjustment
- Conforms to VESA 75mm x 75mm, 100mm x 100mm and 100mm x 200mm mounting patterns
- 40 degrees of tilt (20 degrees+/20 degrees-)
- 360 degree monitor rotation
- 360 degree arm rotation
- 2.5" (63.5mm) depth in the folded position
- 4" (355.6mm) of travel (7" (177.8mm) above the center of hub and 7" (177.80mm) - below the center of hub)
- Gas spring standard 5-16lbs (2.67kg - 7.25kg)
- Gas spring options, 2-10lbs (.90kg - 4.53kg) and 15-32lbs (6.8kg 14.51kg)
- Quick Change Mount and Direct Mount for monitor application
- Mounts available: Bolt through, C-Clamp, Large C-Clamp, Grommet, Single Resolve, Double Resolve, Race, Wall, Column, SpaceBeam 1, SpaceBeam 2, Adjustable Slatwalls