

Installation Guide

FLEXISPOT

Model No.: 600.PL36



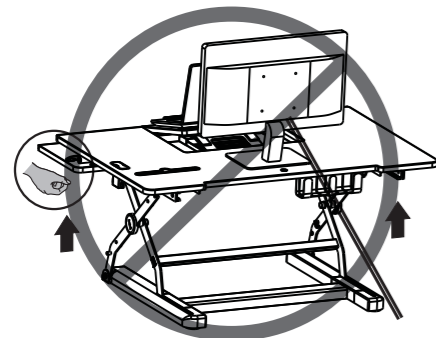
Warning!

Do not place your hands near the strut during adjustment. The angle of the strut joints will change during the adjustment of the desktop height and it may hurt you.



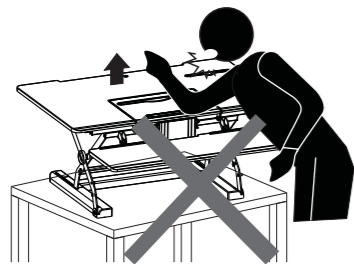
Caution!

Please make sure all the devices are stably placed on the desktop. Do not exceed the edge of the desktop to prevent property damage or personal injury.



Caution!

Do not tie the cable too tight. Allow the devices to move vertically to prevent property damage or personal injury.



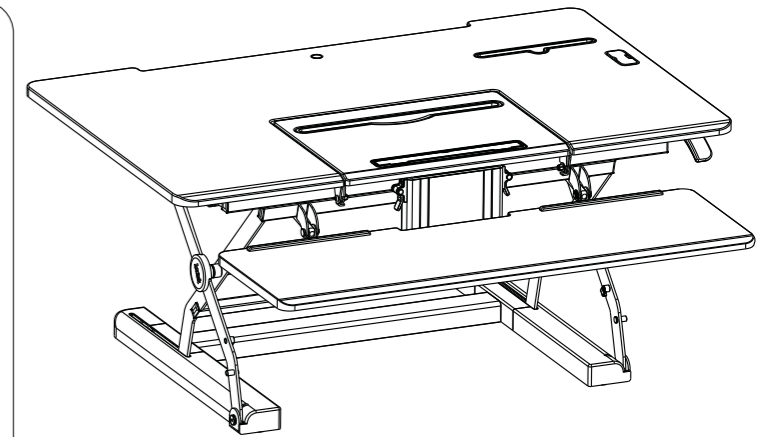
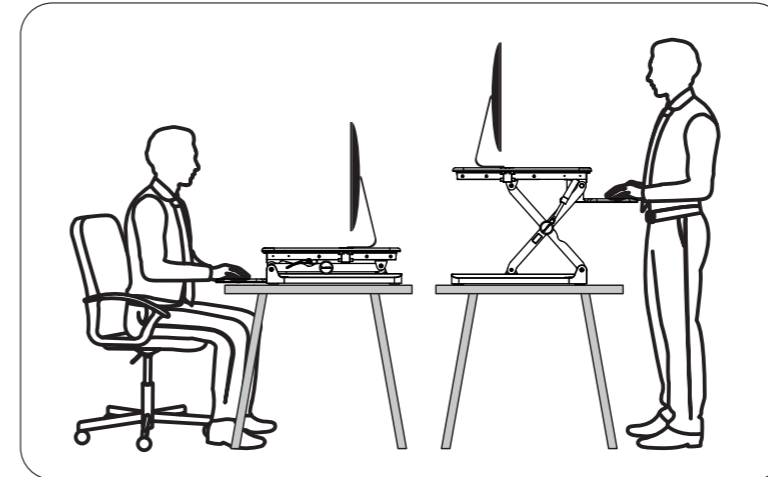
Warning!

Lift the desktop to the top position before taking off the computer devices in order to prevent property damage or personal injury.

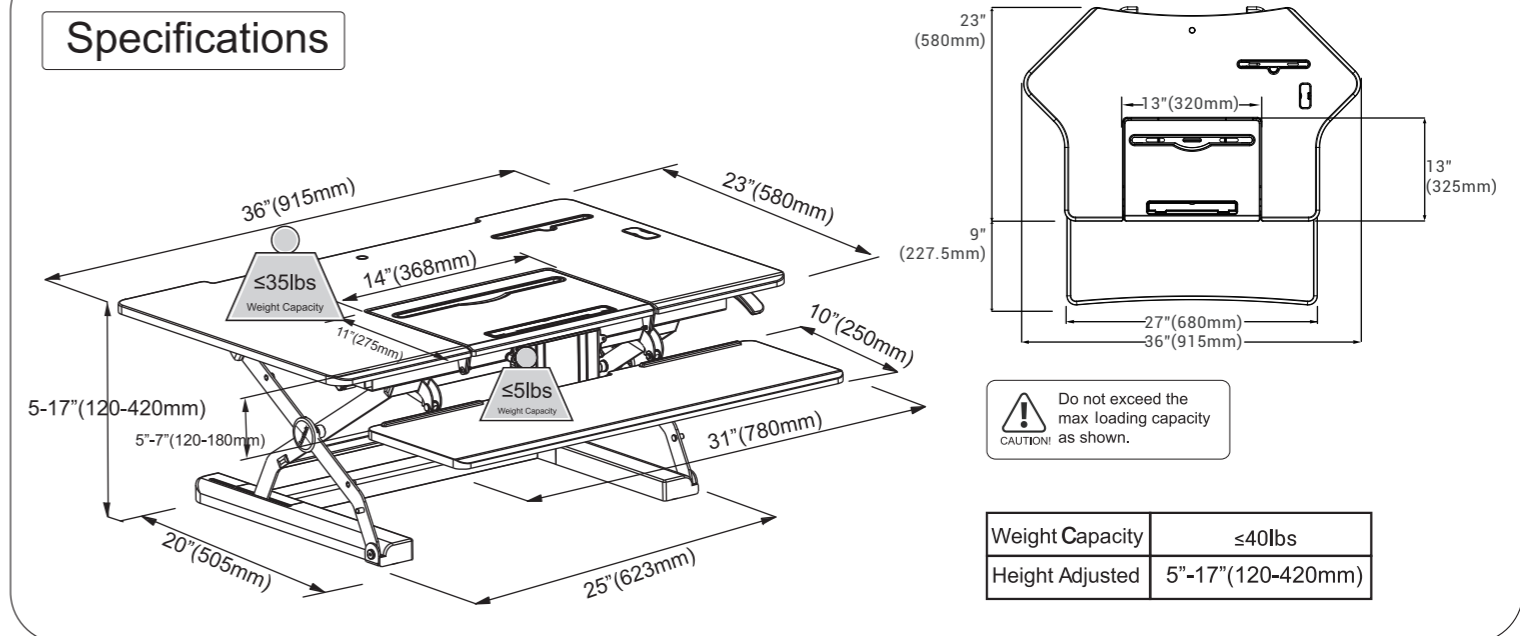


Warning!

The product must be moved by at least two people to avoid collision of moving parts and prevent property damage or personal injury.

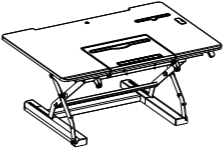
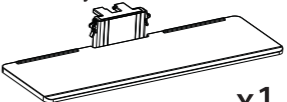


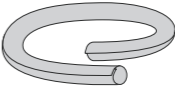


Specifications



Parts Included



A	B	C
 x1	Keyboard Tray  x1	Cable Ties  x4
Decorative Covers  x2	Cable Organizer  x1	

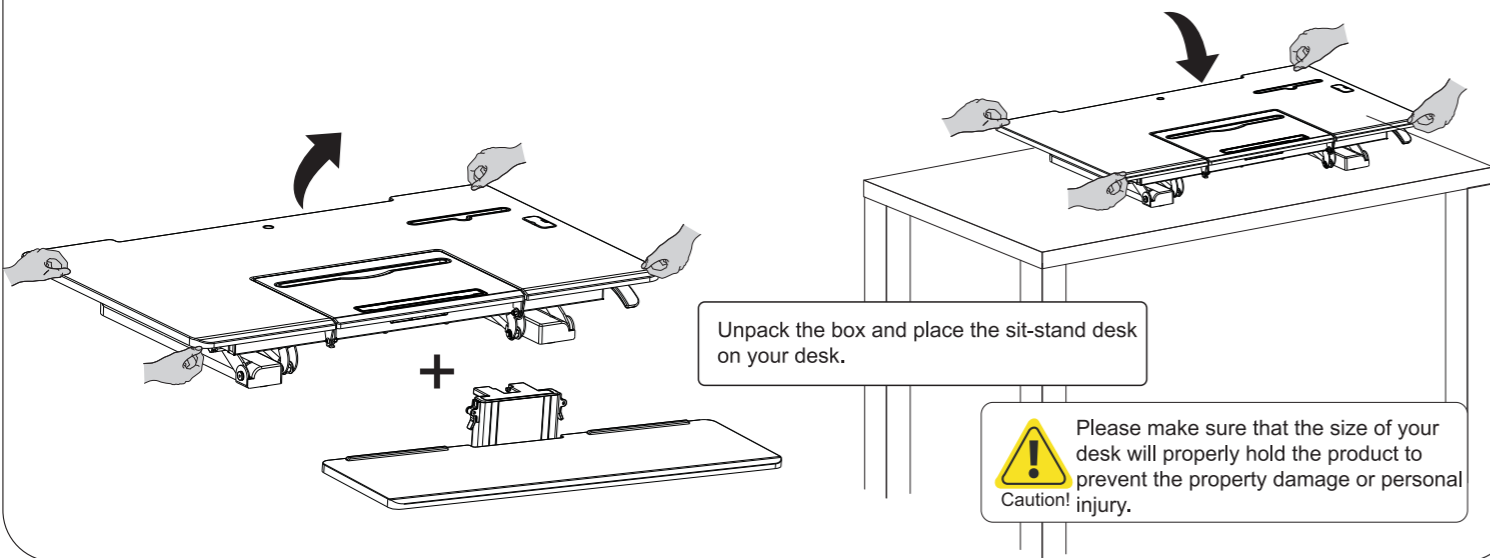


Please make an appointment to visit us at:
3401 Madison Street
Skokie, IL 60076
www.appliedergonomics.com

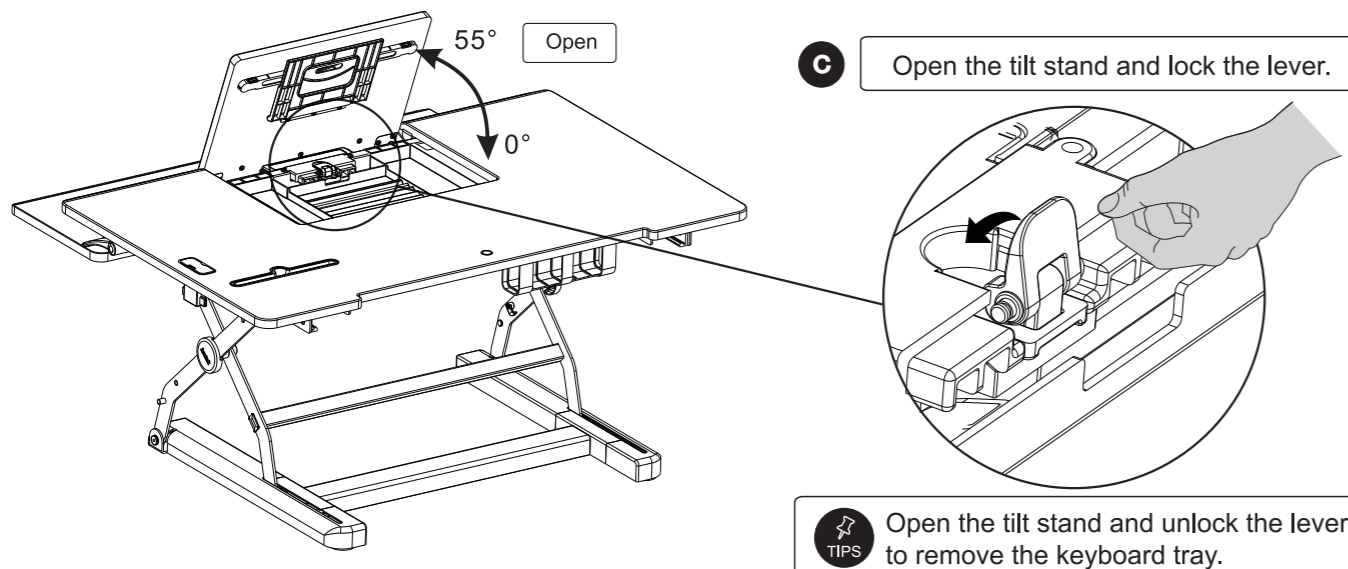
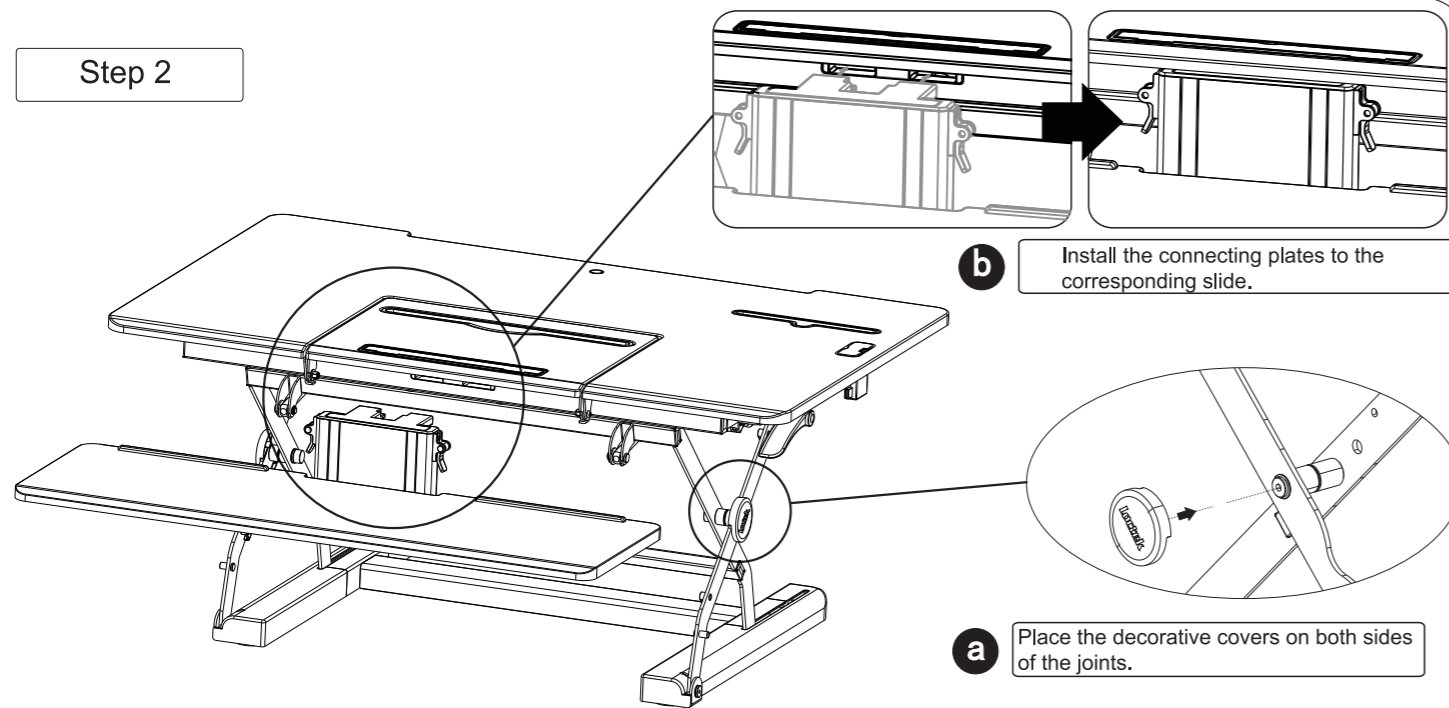
Email the President directly
jmeltzer@appliedergonomics.com

Call Us: (847) 679-5148
Toll-free: (844) 859-9247
Fax: (847) 933-0018

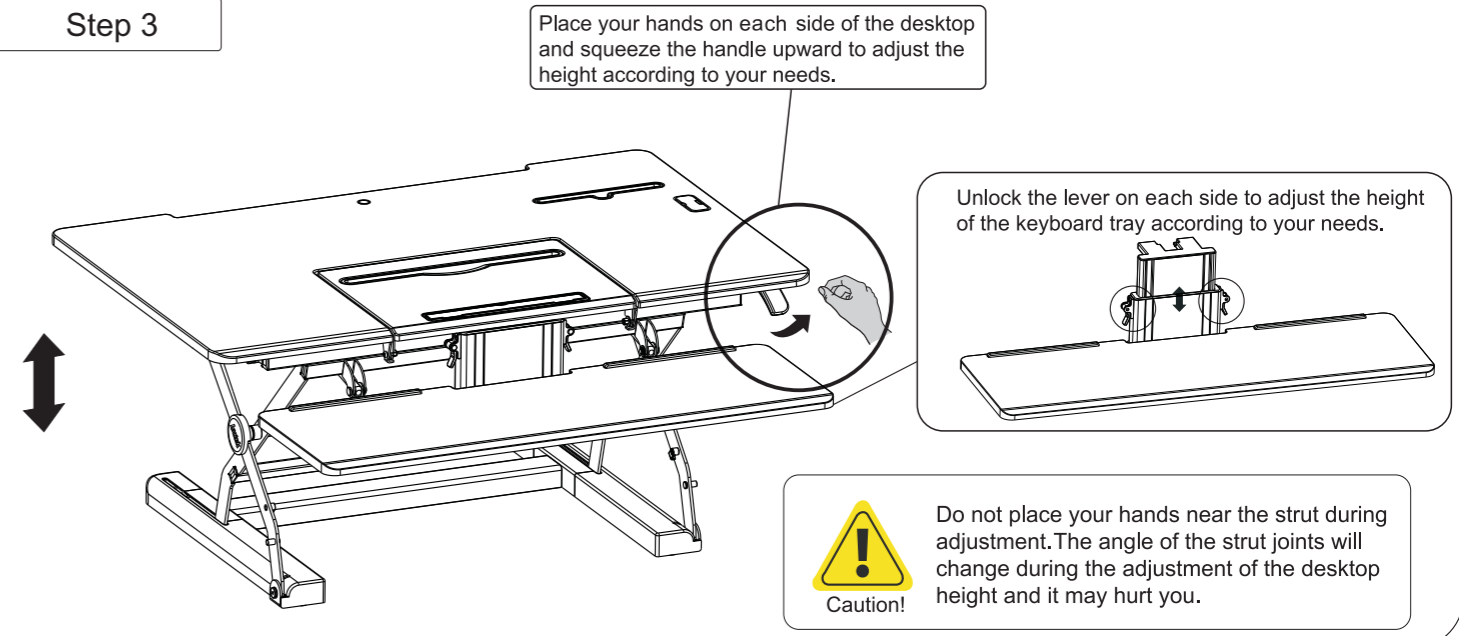
Step 1



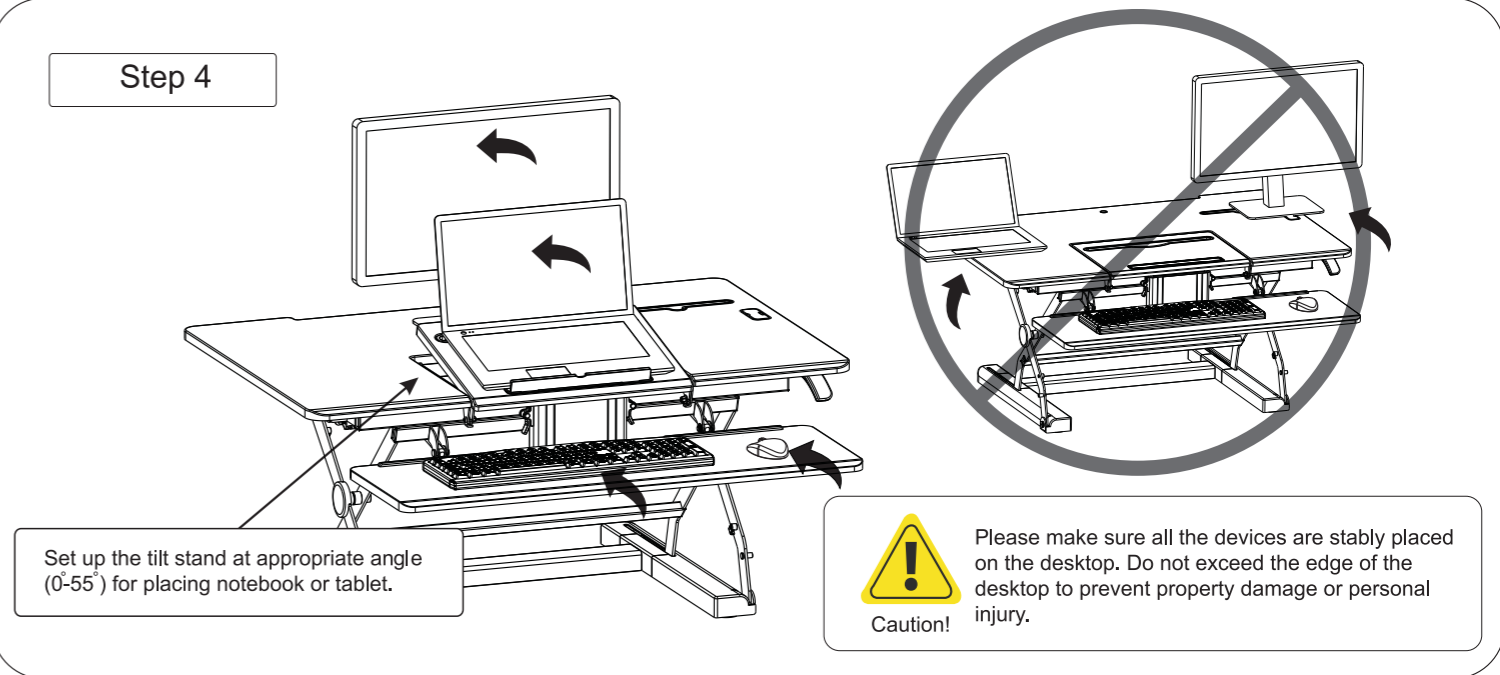
Step 2



Step 3



Step 4



Step 5

