

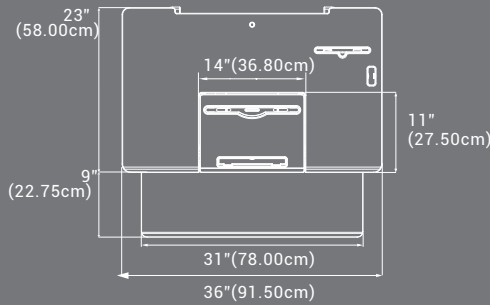
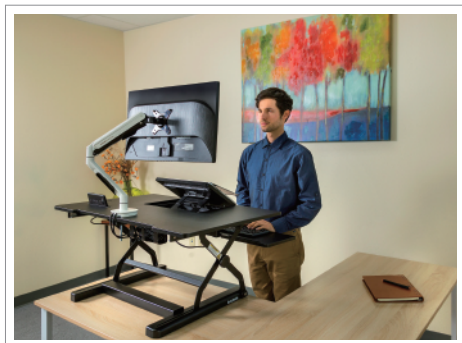
FEATURES

- Straight up and down movement minimizes space requirement and provides enhanced stability
- Gas spring offers smooth and even support, with 12 available height adjustment options
- Built-in document holder
- USB port integrated in desktop
- Easy to adjust height with one lever
- Adjustable ergonomic keyboard tray



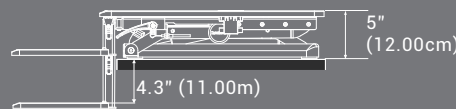
USB Port

Color: Black Mahogany White

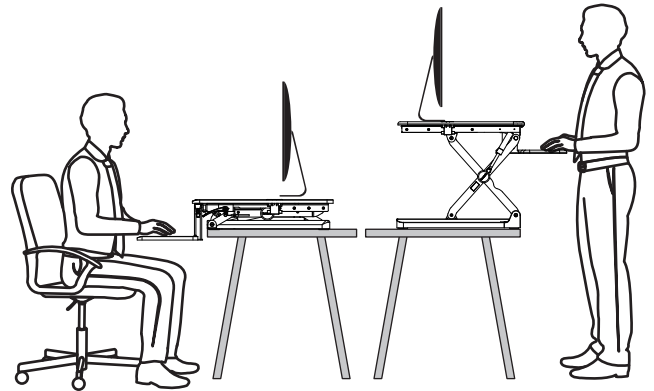
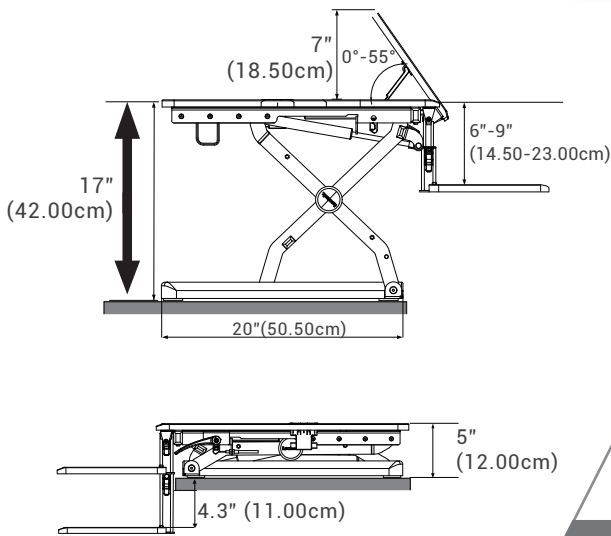


600.PL36

WEIGHT CAPACITY
Desktop + Keyboard Tray ≤40lbs | 18.14kg
DESKTOP SURFACE
36"(W) x 23"(D) | 91.44cm(W) x 58.42cm(D)
MAX HEIGHT
17" | 42.00 cm
CONFIGURATION
Regular



Adjustable ergonomic keyboard tray with multiple height adjustments that allow it to be lowered up to 5" below the table.



Placing this workstation on a 28" high desk will support people up to 6'1" tall
 Placing this workstation on a 31" high desk will support people up to 6'5" tall



Model #	600.PL36
Part #	600.PL36
Total Weight Limit	≤40lbs (18.14kg)
Desktop Weight Capacity	≤35lbs (15.88kg)
Keyboard Tray Weight Capacity	≤5lbs (2.27kg)
Worksurface Dimensions	36" W x 23" D (91.44 x 58.42cm)
Keyboard Tray Dimensions	31"W x 9" D (78.00 x 22.75cm)
Keyboard Tray Options	2" below table
Document Holder Tilt	7" H (18.50 cm) 0° - 55°
Workstation Lift	17" (42.00cm)
Configuration	Regular
Fits on Tables	22" (55.90cm) or deeper
Applied Monitor Size	Up to two 24" screens
Shipping Dimensions	38.0"x8.1"x25.8" (96.50X20.50X65.50cm)
Gross Weight	51lbs (23.0kg)
Warranty	6 years