

STEP 1 | COLUMN..... Page 3

STEP 2 | MOUNT..... Page 4

STEP 3 | WORK SURFACE..... Page 5

STEP 4 | BEAM..... Page 6

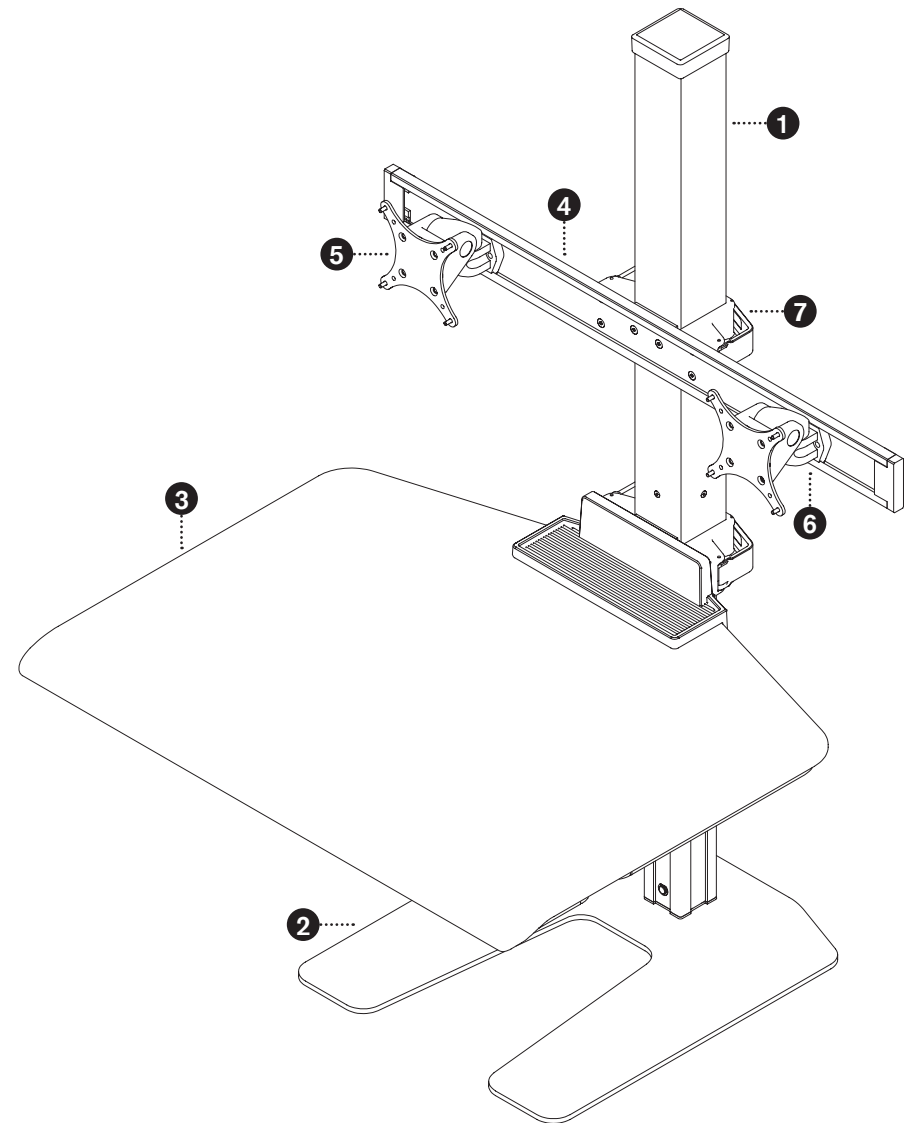
STEP 5 | MONITOR TILTER..... Page 7

STEP 6 | MONITOR CUPS..... Page 8

STEP 7 | CABLE MANAGEMENT..... Page 9

NOTE: Depending on your Winston Workstation® configuration, you may not receive all the parts shown within this instruction booklet.

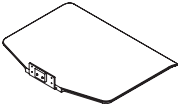
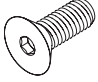
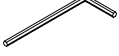
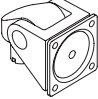
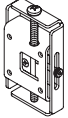
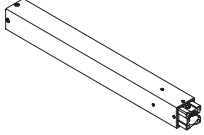
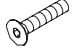

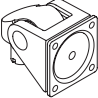
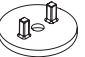

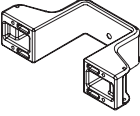

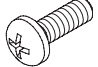

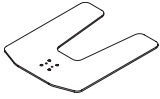
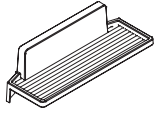




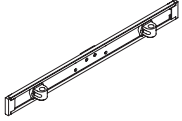


Installation may require two people.



Depending on your Winston Workstation® configuration, **you may not receive all parts** shown below.

WNST-1 & WNST-2

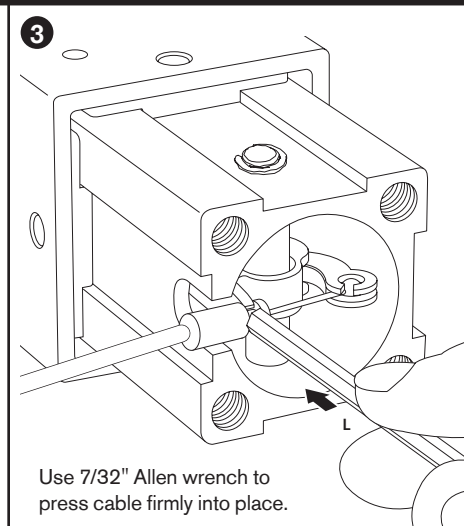
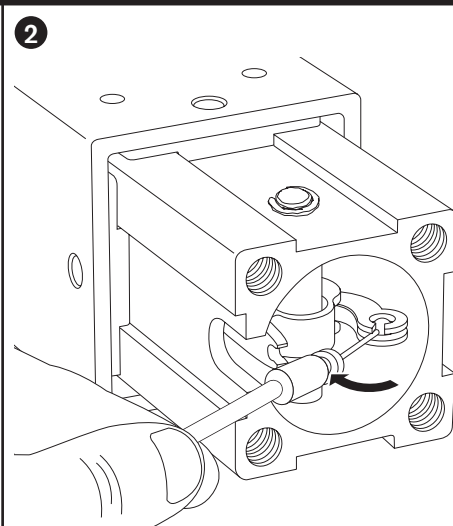
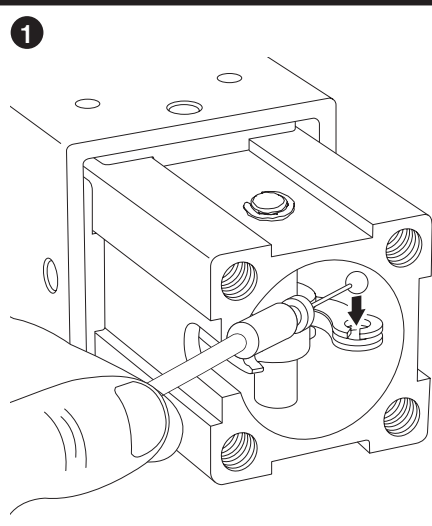
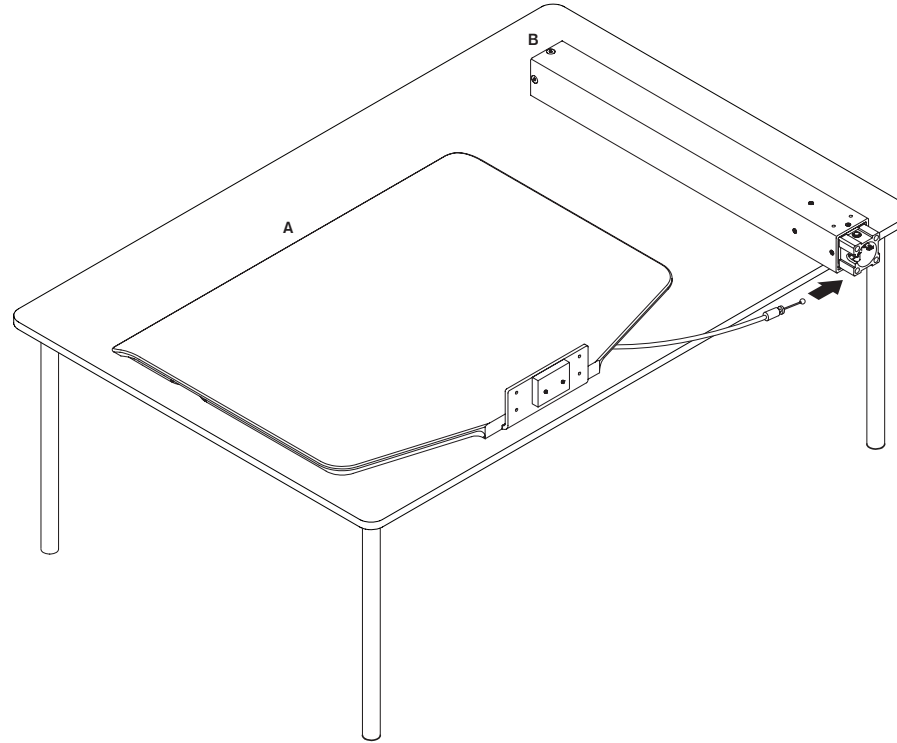
Winston Workstation® Single & Dual | Parts List

<p>A</p> <p>Work Surface 411469</p> 	<p>F</p> <p>3/8-16 x 1" FHSCS 701124</p> 	<p>K</p> <p>1/8" Allen Wrench 701312</p> 	<p>P</p> <p>Standard Monitor Tilter 405397</p> 	<p>U</p> <p>Fine Tune Adjust 8473</p> 
<p>B</p> <p>Column 411470-M</p> 	<p>G</p> <p>10-32 x 1" FHSCS 711467</p> 	<p>L</p> <p>7/32" Allen Wrench 701127</p> 	<p>Q</p> <p>HD Monitor Tilter 407747</p> 	<p>V</p> <p>Dog Washer 111230-603</p> 
<p>C</p> <p>Felt Pad 111464</p> 	<p>H</p> <p>Column Clamp 111040</p> 	<p>M</p> <p>Column Cap 111275-708</p> 	<p>R</p> <p>M4 x 12mm PhPHS 702096</p> 	<p>W</p> <p>10-32 x 1/2" FHSCS 711240</p> 
<p>D</p> <p>Freestanding Base 111731</p> 	<p>I</p> <p>Utility Tray 111445</p> 	<p>N</p> <p>10-32 x 3/8" PhPHS 702281</p> 	<p>S</p> <p>QR VESA Adapter 109464</p> 	<p>X</p> <p>Column Cable Clip 111203-708</p> 
<p>E</p> <p>Cable Retainer 111735</p> 	<p>J</p> <p>Beam (10" or 30") 412036 or 412037</p> 	<p>O</p> <p>75/100 mm VESA Adapter 105587</p> 	<p>T</p> <p>QR Monitor Tilter 411019</p> 	

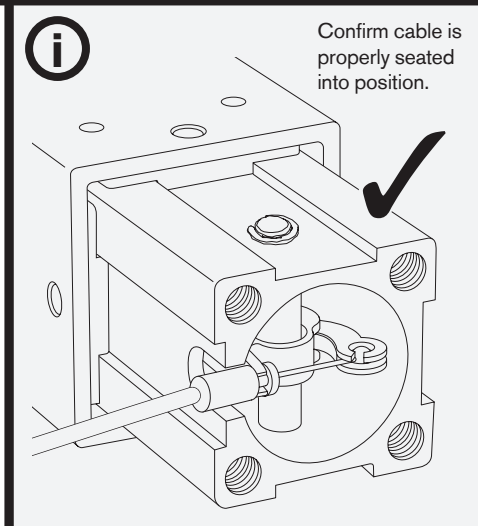
STEP 1

COLUMN

IMPORTANT: Do not pull excessively on cable – doing so may result in accidental actuation of column.



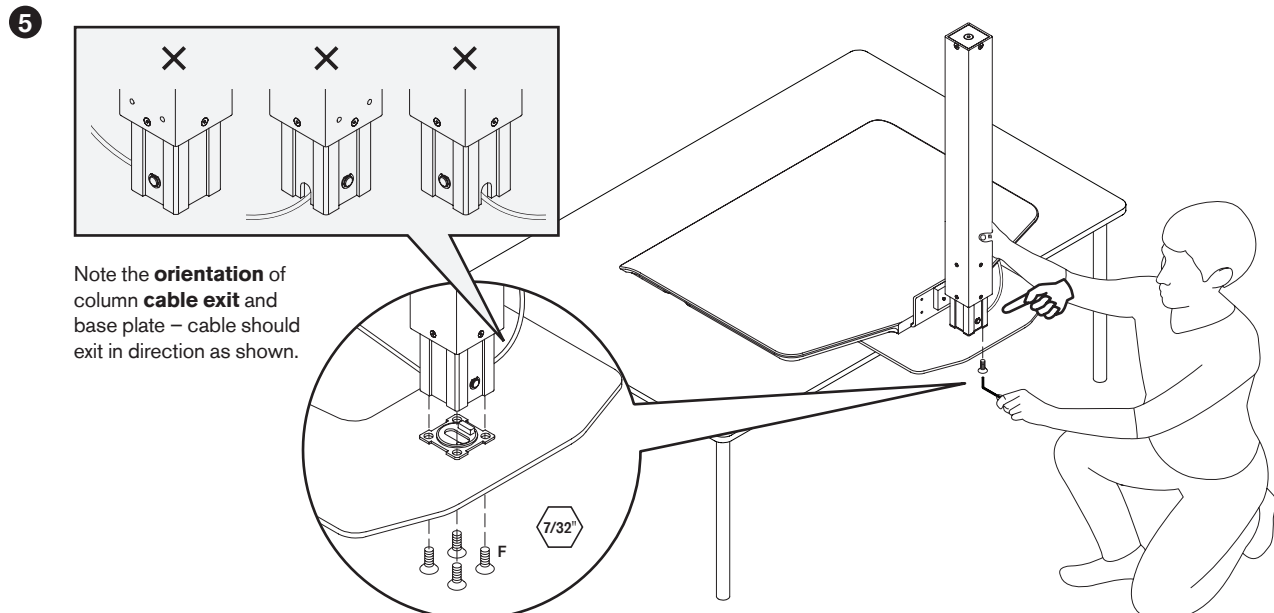
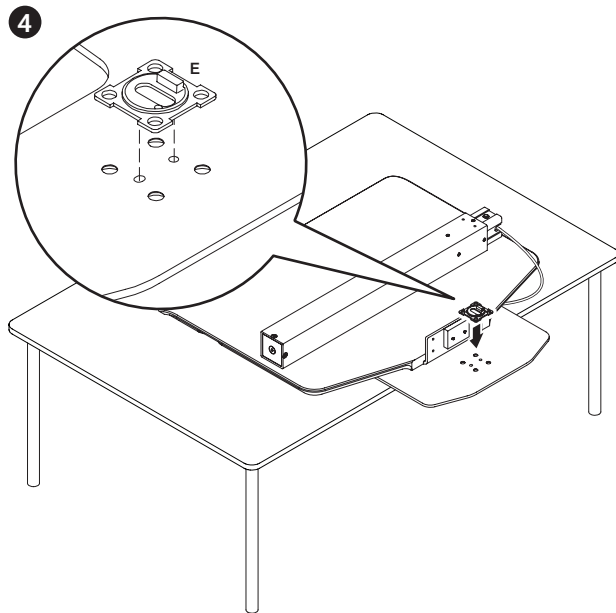
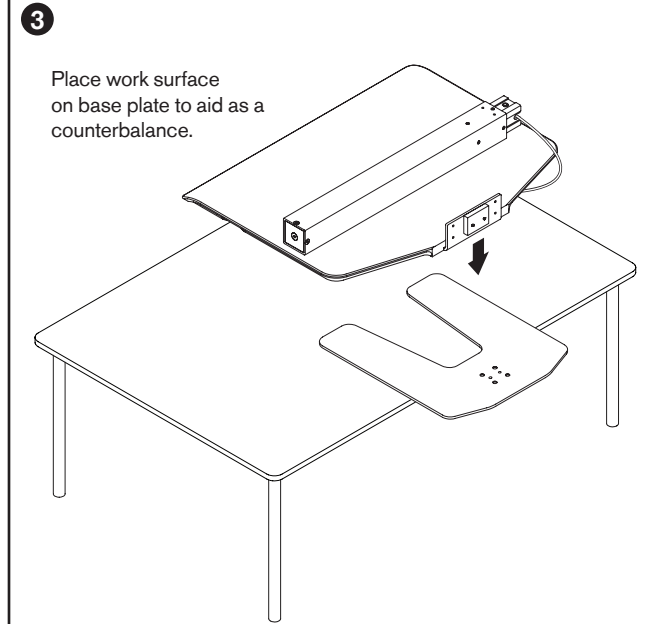
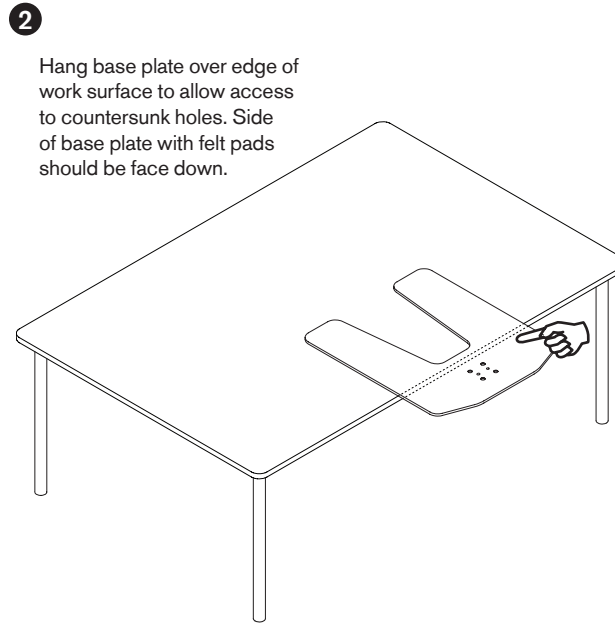
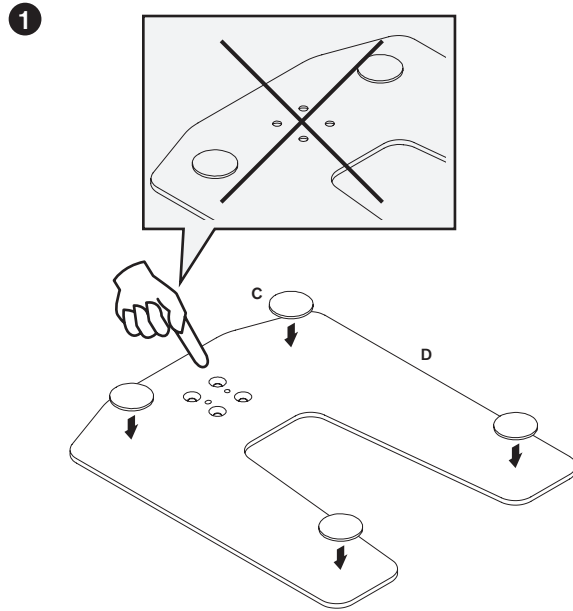
Use 7/32" Allen wrench to press cable firmly into place.



Confirm cable is properly seated into position.

STEP 2

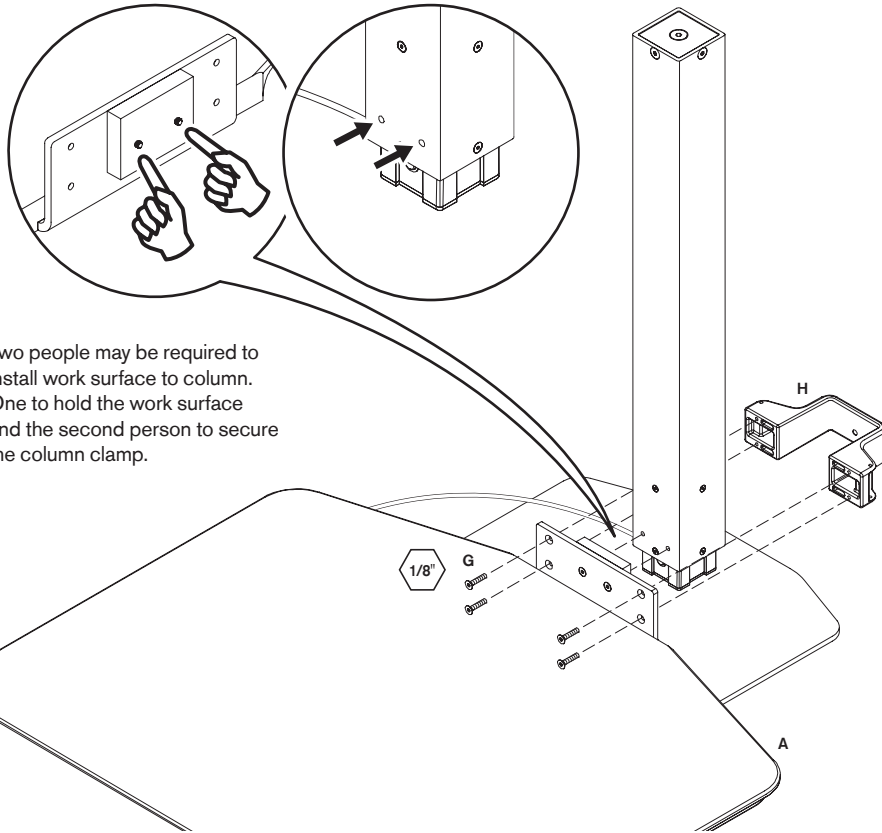
FREESTANDING MOUNT



STEP 3

WORK SURFACE

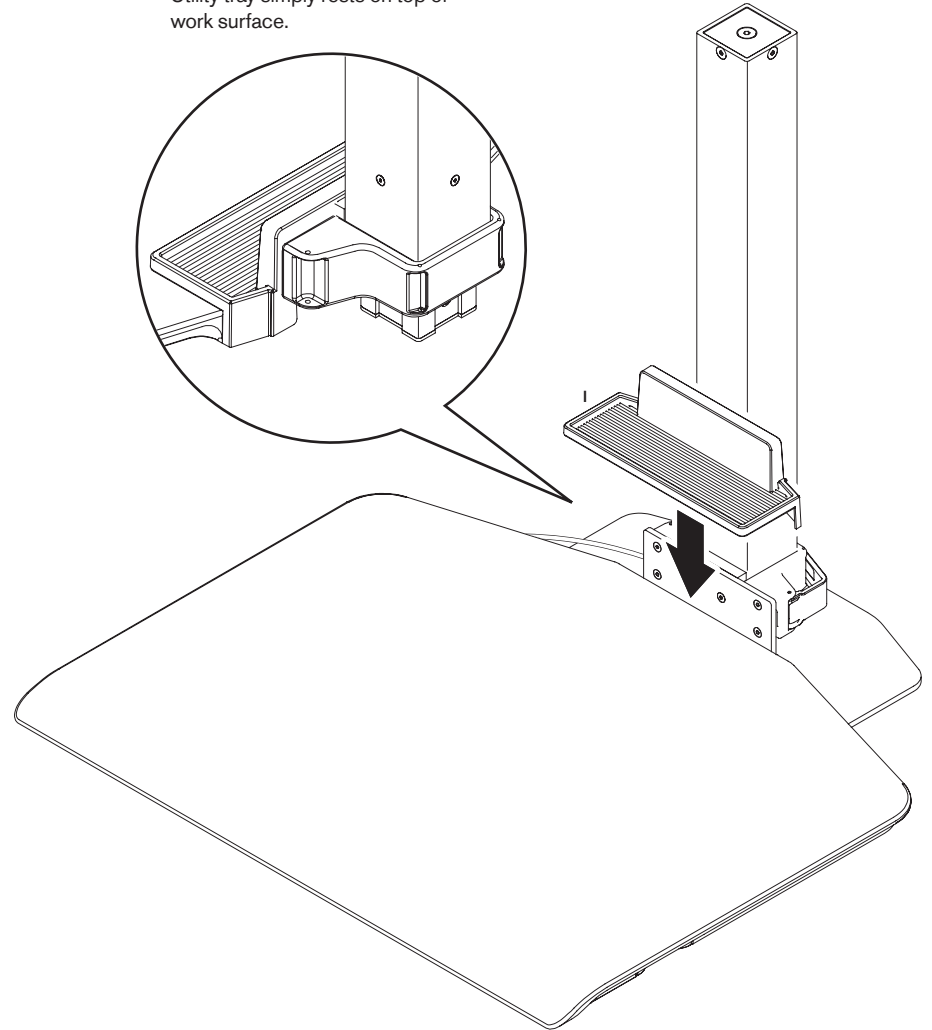
1



Two people may be required to install work surface to column. One to hold the work surface and the second person to secure the column clamp.

2

Slide utility tray onto work surface. Utility tray simply rests on top of work surface.



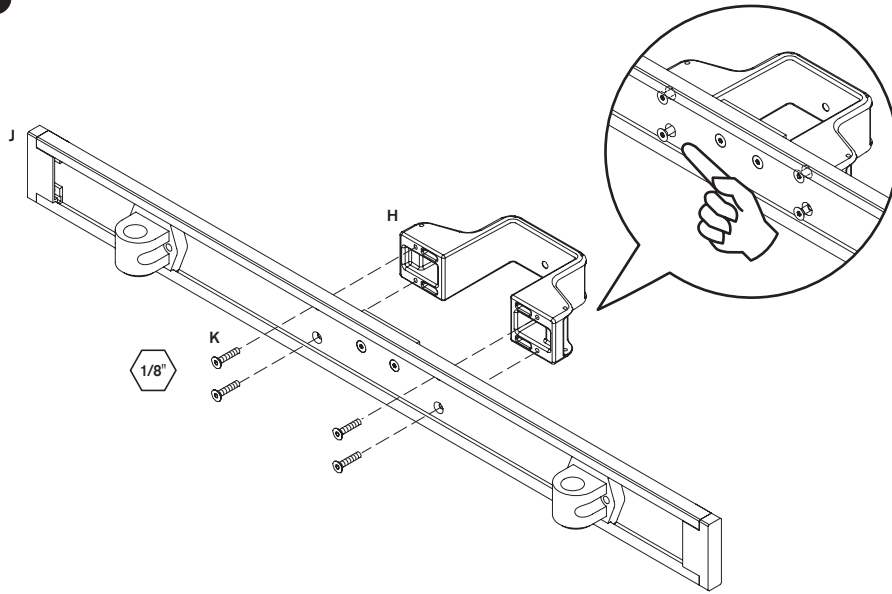
i

IMPORTANT: Tighten bolts evenly. Work surface clamp should sit flush against the column, ensure there are no gaps. Also, it is important the work surface clamp is level.

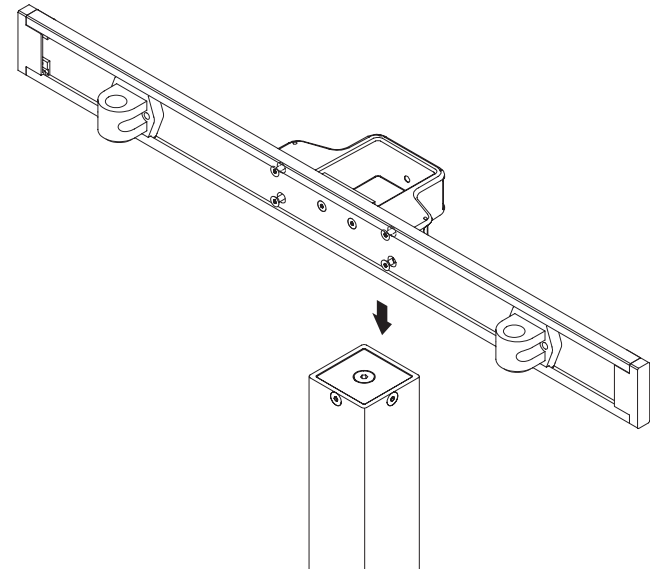
STEP 4

BEAM

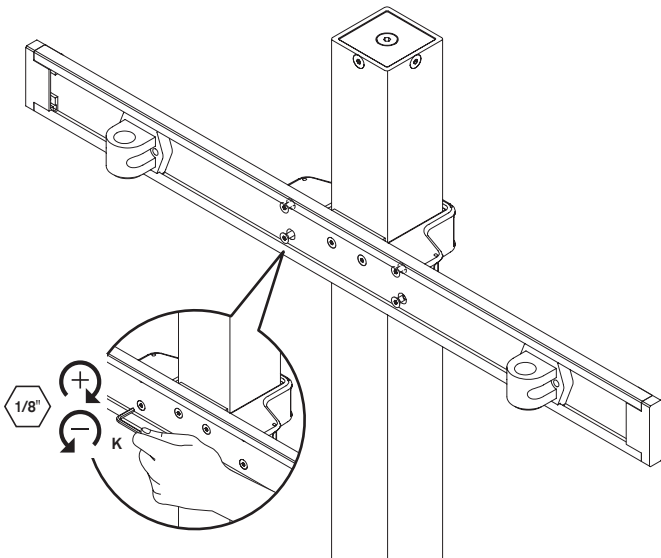
1



2

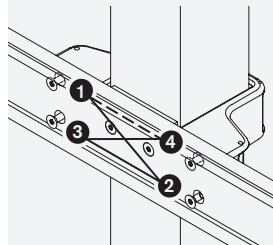


3

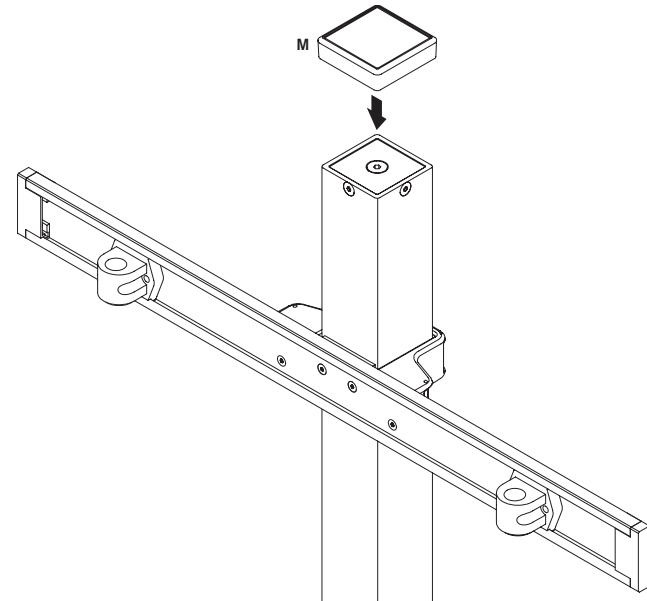


IMPORTANT:

Tighten bolts evenly.
The beam should sit flush against the column, ensure there are no gaps. Also, it is important the work surface clamp is level.



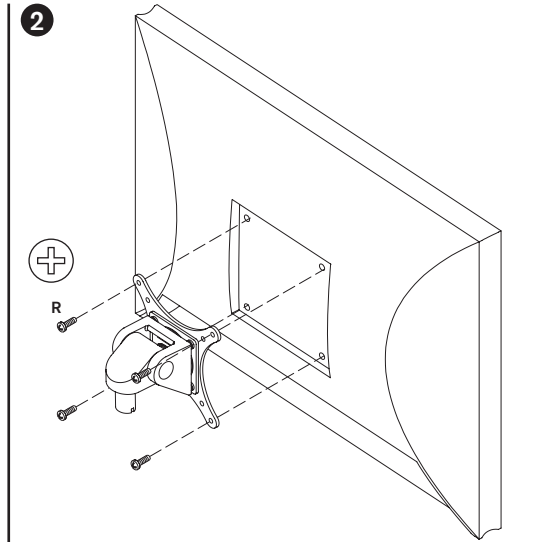
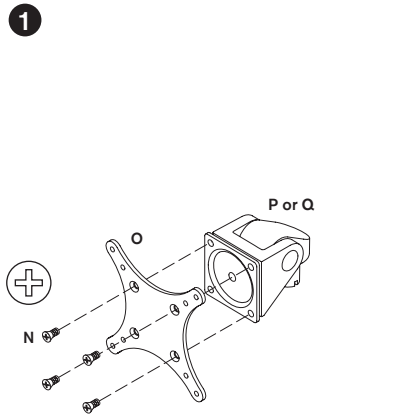
4



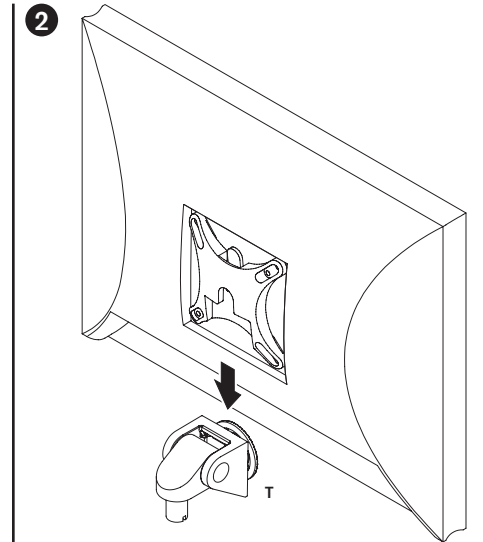
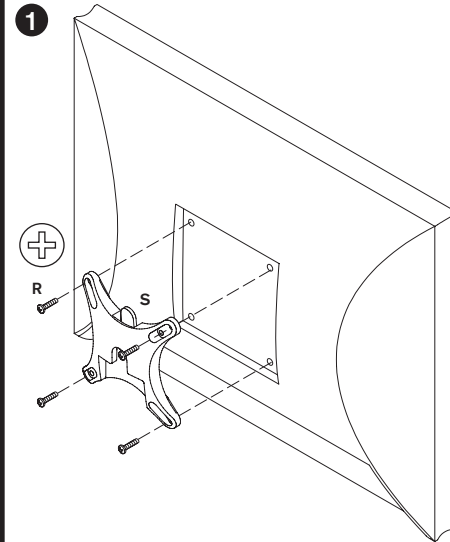
STEP 5

MONITOR TILTER

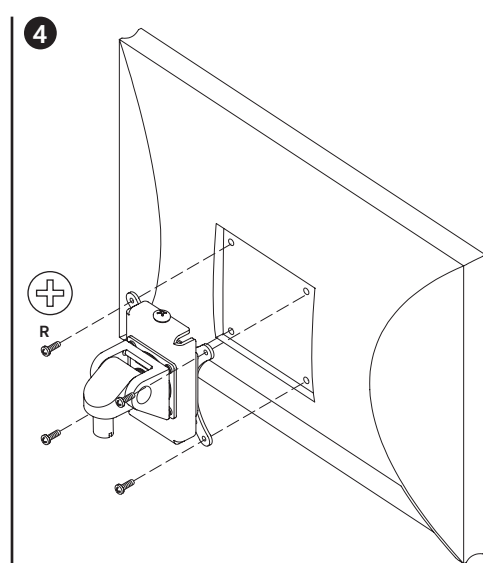
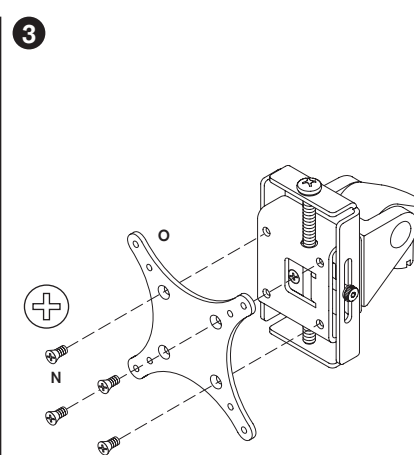
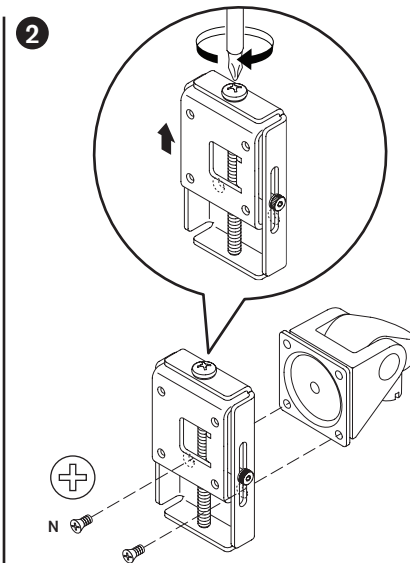
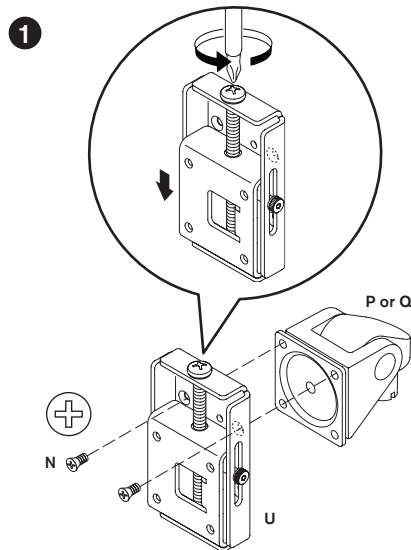
STANDARD TILTER & SPRING TILTER



QUICK RELEASE TILTER



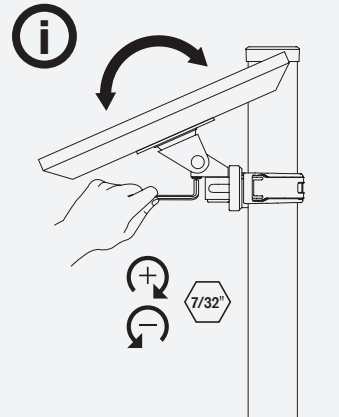
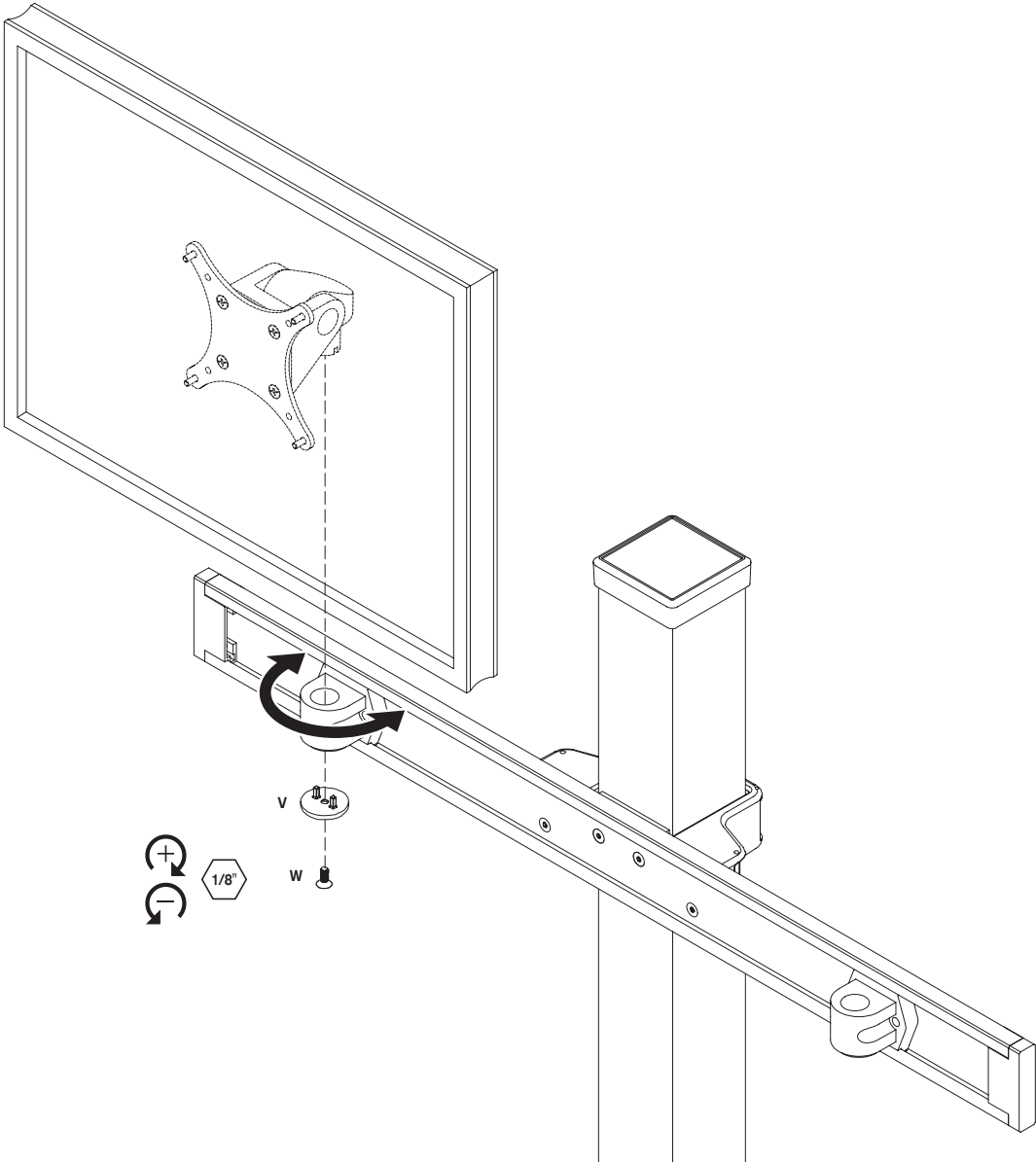
FINE TUNE HEIGHT ADJUST TILTER



STEP 6

MONITOR CUPS

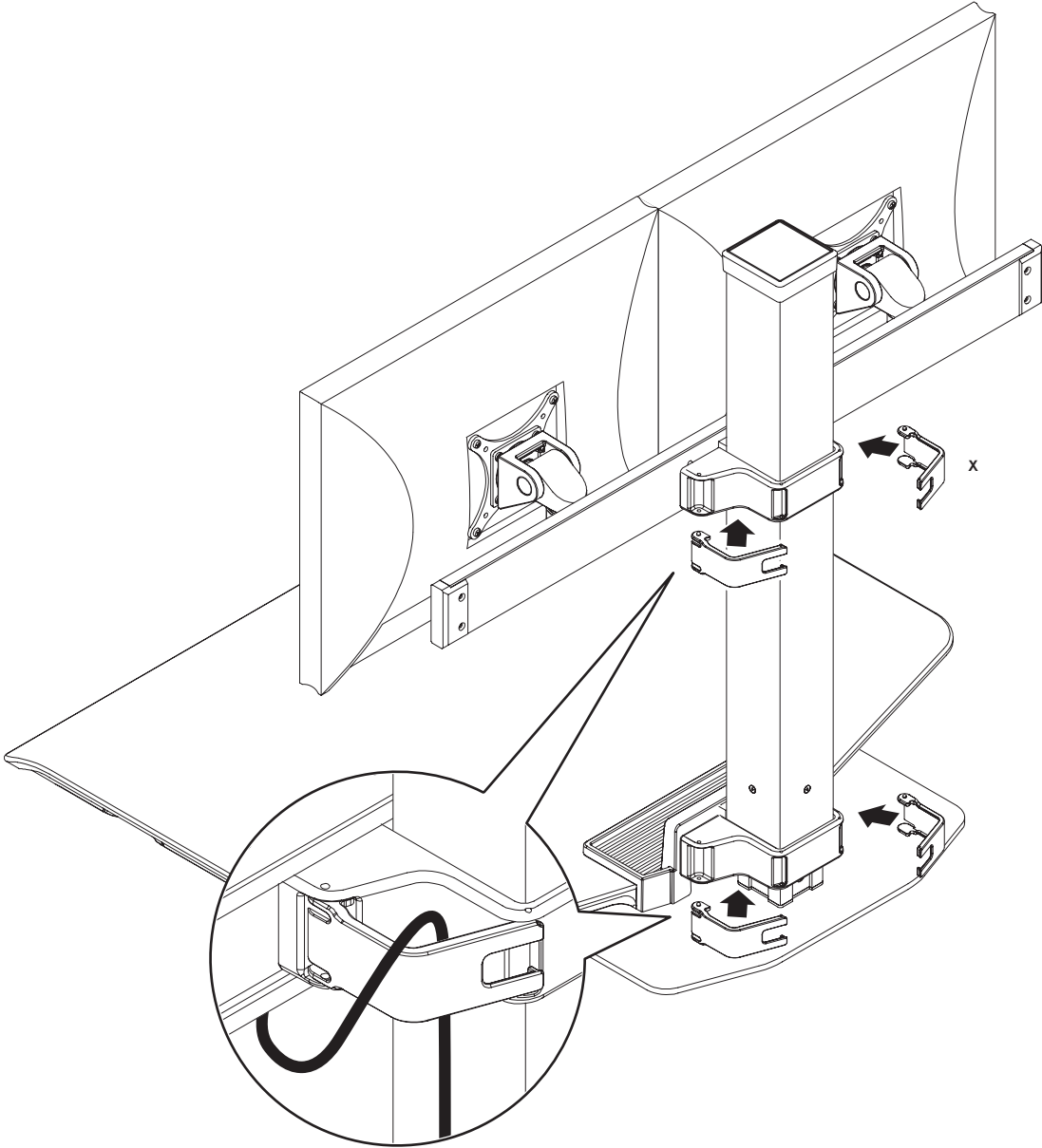
1



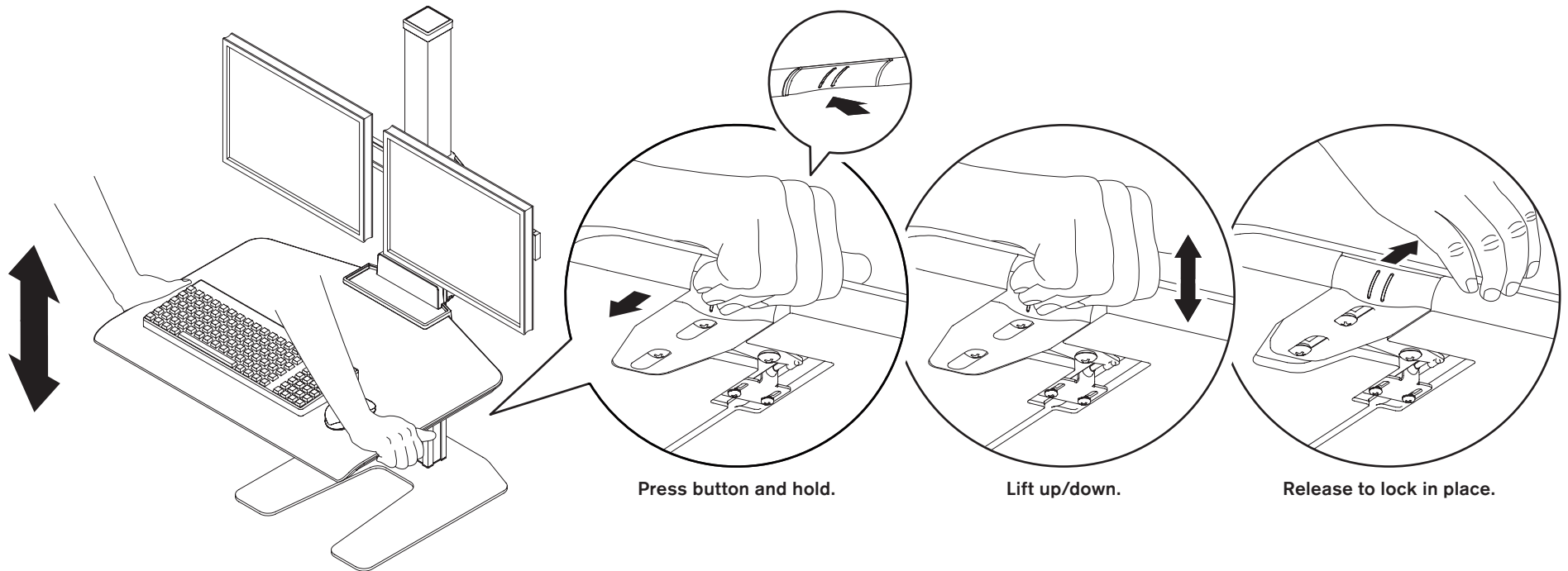
STEP 7

CABLE MANAGEMENT

1



HEIGHT ADJUSTMENT



i Is your height adjust button not working? If so, make the adjustments below.

- 1 Slide workstation so that the work surface hangs over desk edge to allow access to underneath the work surface.
- 2 Loosen the two screws as shown.
- 3 Slide bracket in the direction shown and tighten screws.
- 4 Test height adjust button – readjust by repeating the steps above as necessary.

