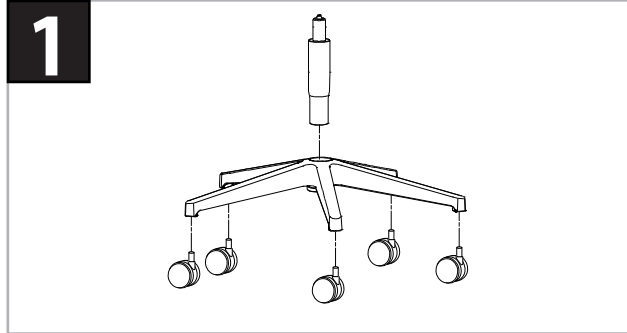
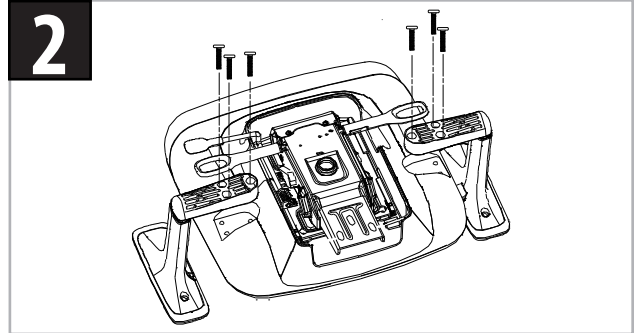


Hardware (Included) 1 – 5mm Allen wrench
6 – 25mm screws
4 – 10mm screws

People 1 Person
Time 10 - 15 minutes



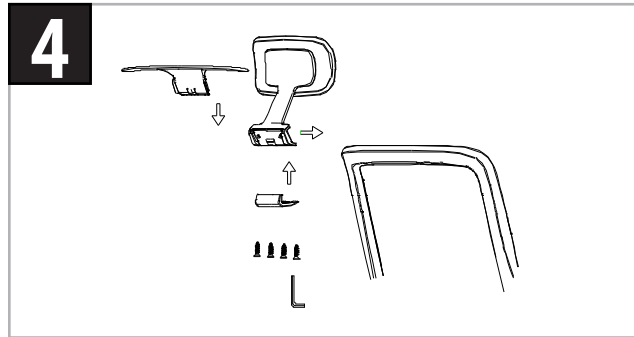
1
Install Casters & Cylinder
Firmly press all casters into base.
Set cylinder into base.



2
Install Arms
Install six 25mm long screws to attach arms.

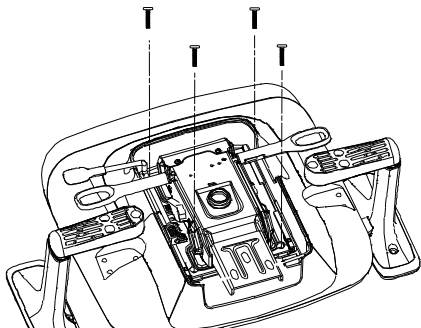


3
Install Seat & Back Assembly
Place seat assembly upright and onto base assembly.

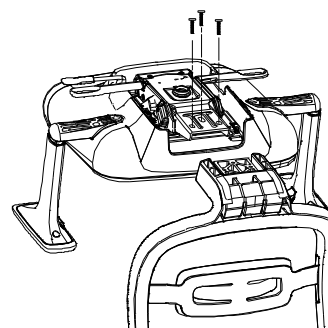


4
Install Headrest
Loosen headrest clamp screws. Then attach headrest clamp around the back lip of the chair and tighten screws. Ensure headrest is tight.

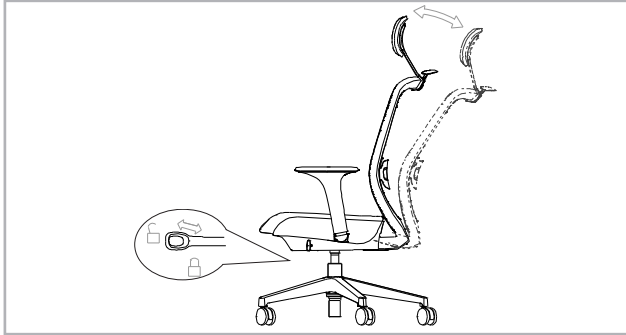
Replacement Instructions



Mech Install
Install two 25mm screws on front of mechanism. Install two 35mm screws on rear of mechanism.



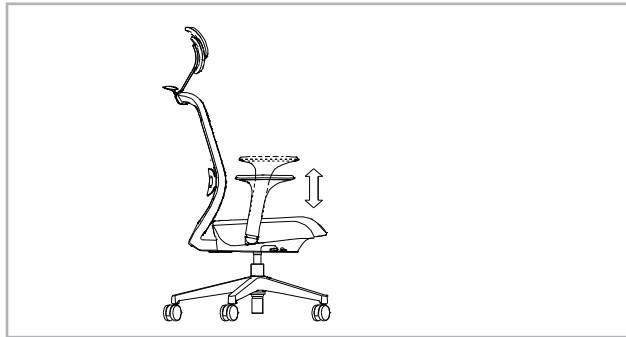
Back Install
Install three 40mm screws to secure backrest.



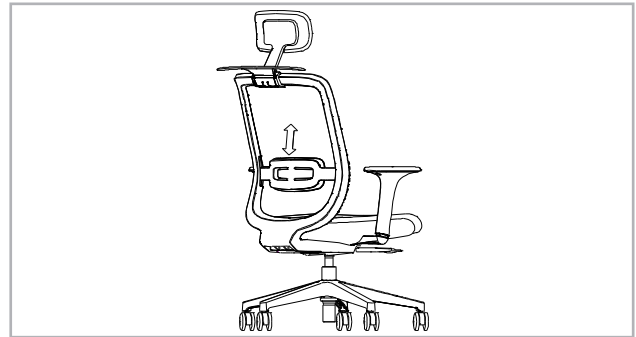
Tilt
Push lever arm inward to lock back tilt. Pull lever arm out to allow backrest to freely tilt.



Height
Pull upward on lever to adjust seat height.



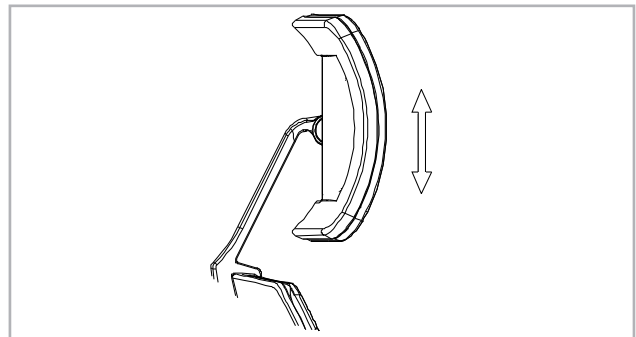
Armrest
Depress the button on the inside of the arms to adjust height.



Lumbar
Adjust lumbar by simply sliding backpiece up and down.



Adjustable Seat Depth
Pull lever up to adjust seat depth.



Headrest
Headrest adjusts vertically.