

# QuickStand•Lite™

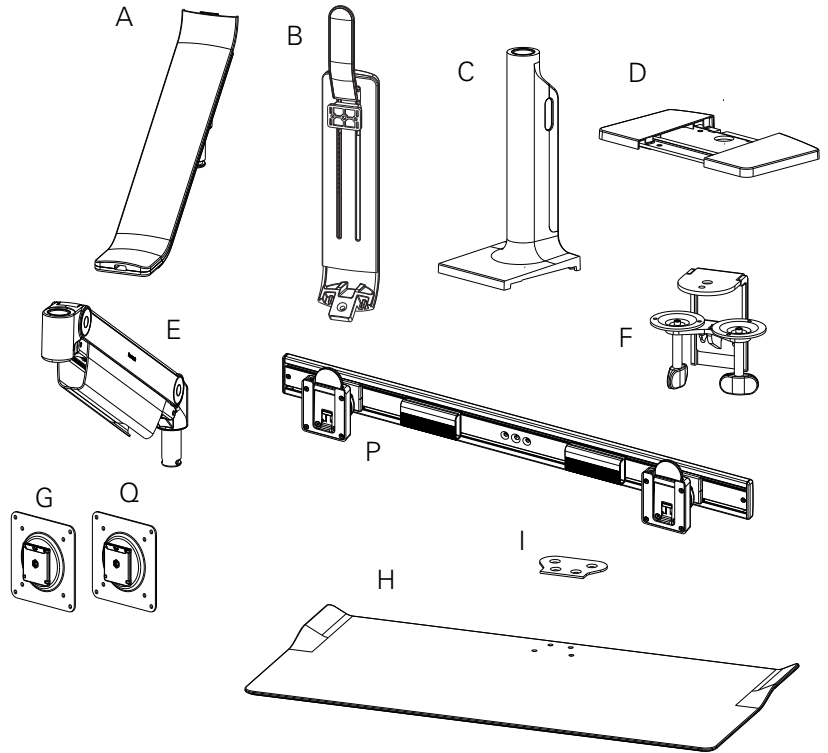
INSTALLATION INSTRUCTIONS



# PARTS REQUIRED

## Single QuickStand Lite Parts

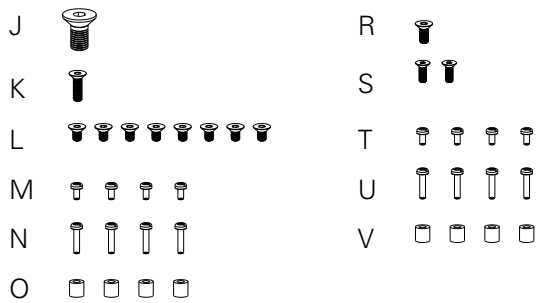
- A (1) Lower Arm
- B (1) Upper Arm
- C (1) Base
- D (1) Base Plate
- E (1) M8 Dynamic Arm Long
- F (1) Clamp Bracket
- G (1) VESA Plate
- H (1) Keyboard Platform
- I (1) Keyboard Platform Mounting Plate
- J (1) M12 x 25mm Flat Head Machine Screw
- K (1) M6 x 20mm Flat Head Machine Screw
- L (8) M6 x 10mm Flat Head Machine Screw
- M (4) M4 x 8 mm Pan Head Phillips
- N (4) M4 x 18 mm Pan Head Phillips
- O (4) VESA Spacers



## Additional Parts for Dual Monitor QuickStand Lite

- P (1) Crossbar
- Q (1) VESA Plate
- R (1) M6 x 14mm Flat Head Machine Screw
- S (2) M5 x 14mm Flat Head Machine Screw
- T (4) M4 x 8 mm Pan Head Phillips
- U (4) M4 x 18 mm Pan Head Phillips
- V (4) VESA Spacers

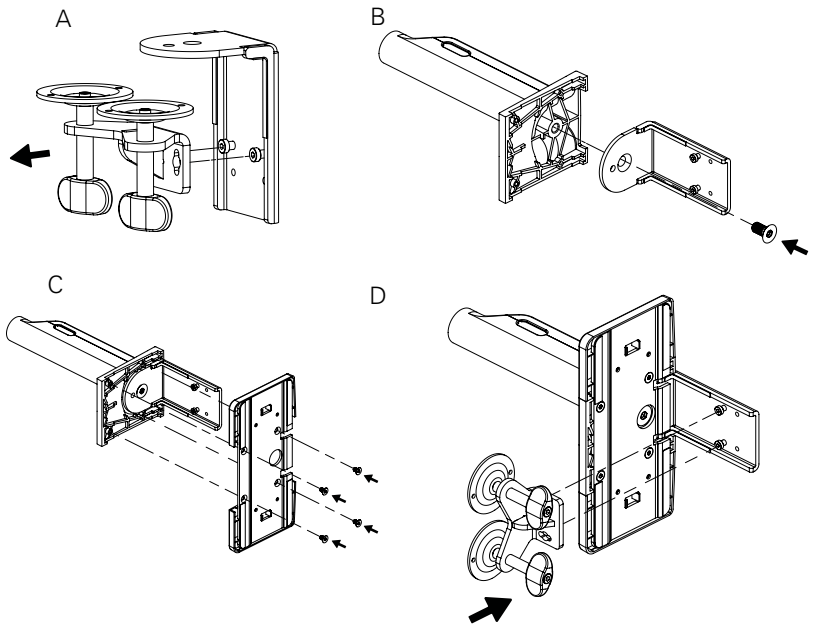
### Hardware



## STEP 1 (IF USING CLAMP MOUNT)

### Assemble Base and Clamp

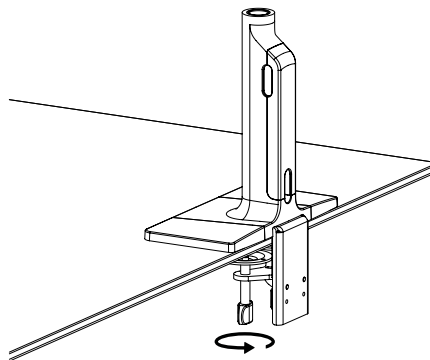
- Loosen the two M6x12mm screws on the clamp bracket and remove the clamp foot assembly (fig. A)
- Attach the clamp bracket to the base using the M12x25mm countersink screw (fig. B)
- Attach the base plate to the base with four M6x10mm countersink screws (fig. C)
- Slide the clamp foot assembly back onto the clamp bracket and tighten the two M6x12mm screws (fig. D)



## STEP 2 (IF USING CLAMP MOUNT)

### Attach Base to Table

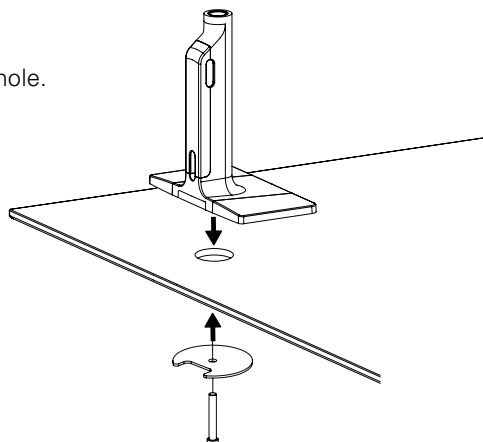
- Slide the assembled base onto the desk and tighten the clamp feet. If needed, move the clamp feet to the lower position on the bracket.
- Proceed to STEP 3



## STEP 1 (IF USING BOLT MOUNT)

### Attach Base to Table

- Position the QuickStand Lite base over the work surface hole.
- Align the bolt-through plate, foam side up, under the work surface. Pass the bolt through the hole in the plate and screw into the QuickStand Lite base.
- Full tighten until secure.
- Proceed to STEP 3

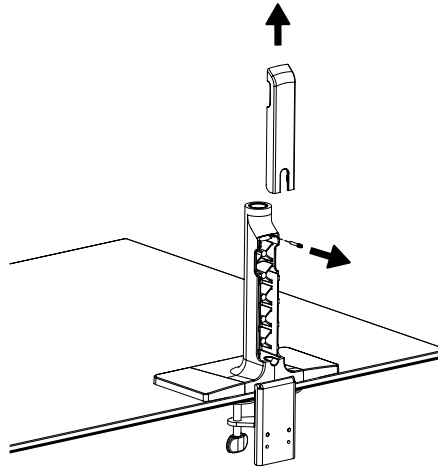


## STEP 3

---

### Remove Cable Cover

- Take off the plastic cable cover from the base and remove the 180° stop screw.

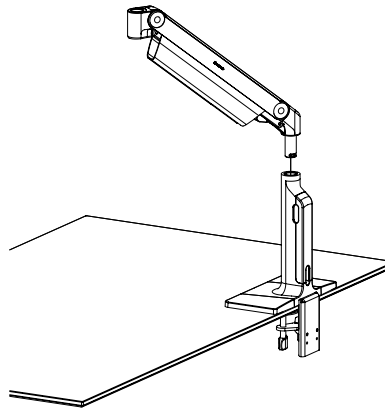


## STEP 4

---

### Insert M8 Arm

- Place the M8 arm into the socket on the base and re-insert the 180° stop screw.

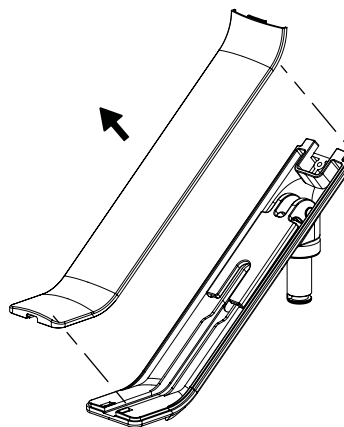


## STEP 5

---

### Prep Lower Arm

- Remove the plastic cable cover from the lower arm.

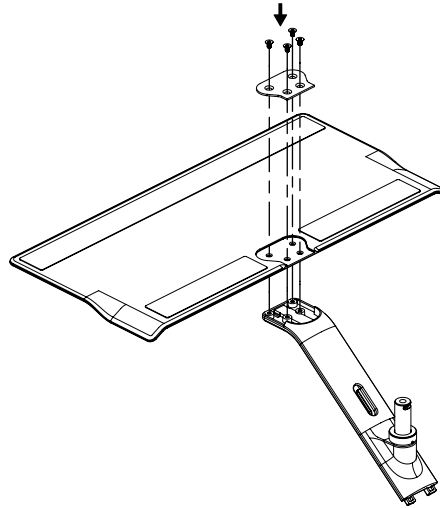


## STEP 6

---

### Attach Keyboard Platform

- Attach the keyboard platform to the lower arm using four M6x10mm countersink screws and the included metal plate.

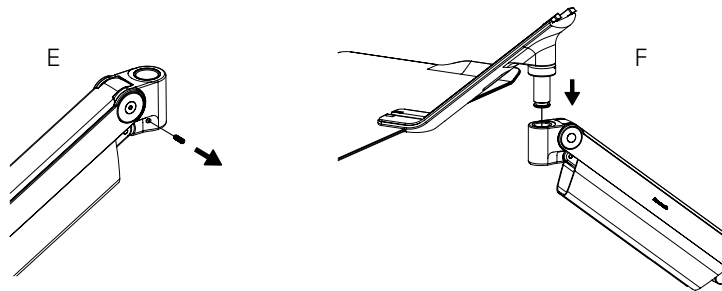


## STEP 7

---

### Attach Lower Arm to Base

- Remove the 180° stop screw from the M8 arm head. (fig. E)
- Place the lower arm with keyboard platform into the M8 arm socket and re-insert the 180° stop screw. (fig. F)

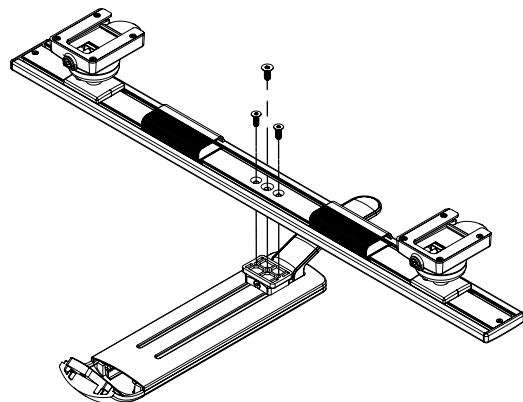


## STEP 8 (IF CONFIGURED WITH A CROSSBAR)

---

### Attach Crossbar

- Attach the monitor crossbar to the upper arm using 2 M5x14mm screws and one M6x14mm screw

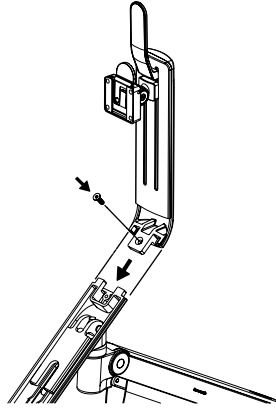


## STEP 9

---

### Attach Upper Arm

- Slide the upper arm assembly down onto the lower arm and secure it with a M6x20mm countersink screw

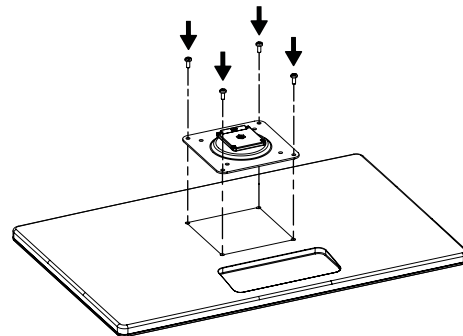


## STEP 10

---

### Attach VESA Plate

- Attach the VESA plate to your monitor(s) using four M4x8mm pan head screws. If necessary, use the included plastic spacers and extended screws.

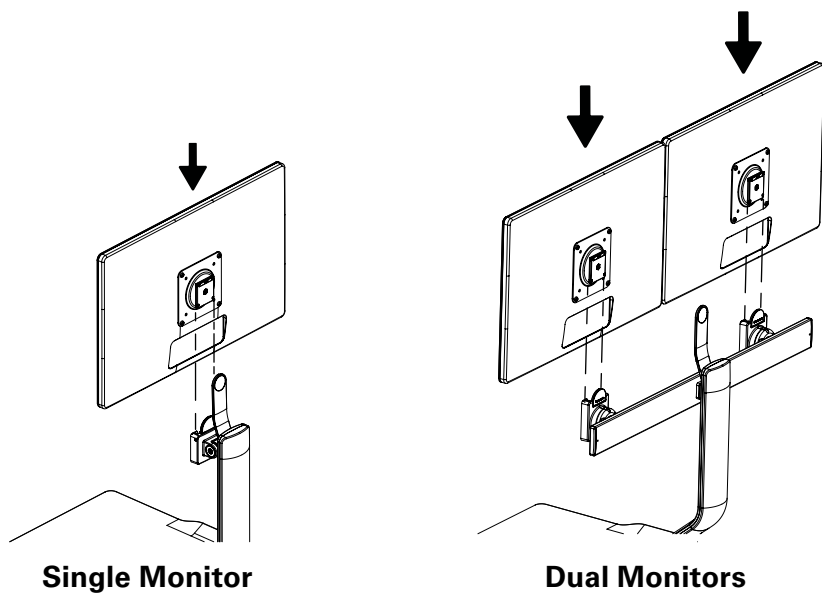


## STEP 11

---

### Attach Monitors

- Slide the monitor(s) onto the monitor quick release until it snaps into place.

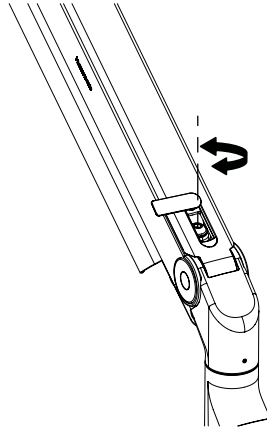


## STEP 12

---

### Adjust Monitor Arm Tension

- Adjust the tension of the M8 arm using a 5mm hex key to match the weight of the monitor(s).
- Turn clockwise for heavier weights and counterclockwise for lighter weights.

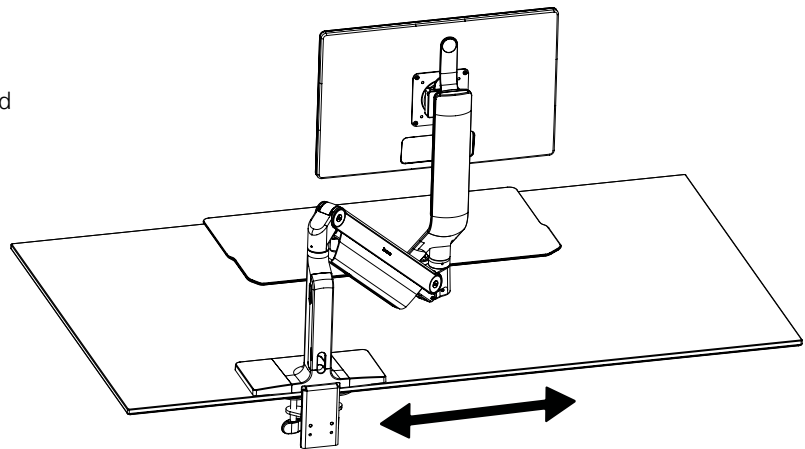


## STEP 13

---

### Adjust Keyboard Platform Location

- Loosen the clamp feet and reposition the base so that the keyboard platform sits in the desired location, then re-tighten the feet.

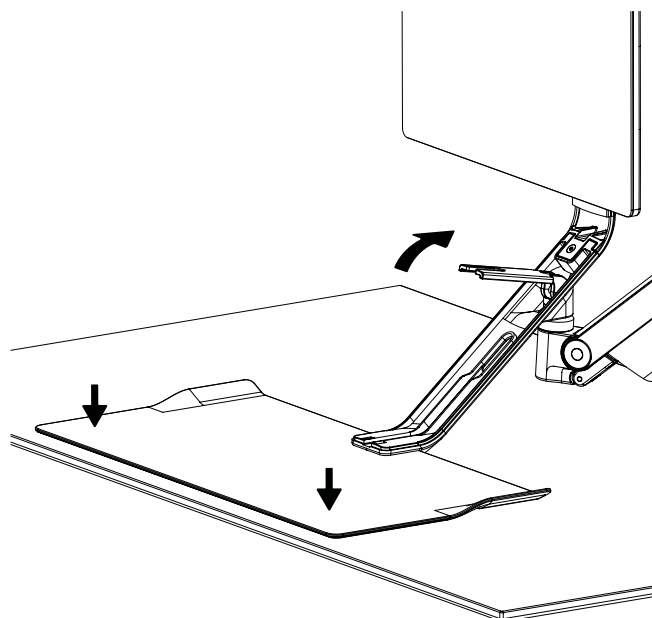


## STEP 14

---

### Set Keyboard Platform Angle

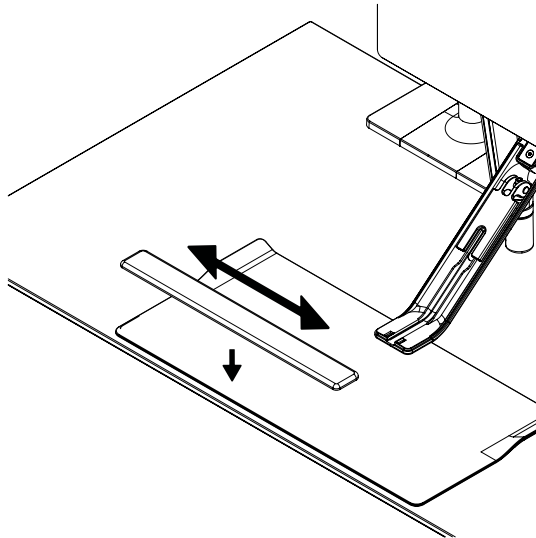
- Lift the release lever on the lower arm (fig. G) and press the keyboard platform flat against the desk surface.
- Press to the lever back down tightly to lock the platform angle



## STEP 15

### Attach Palm Rest

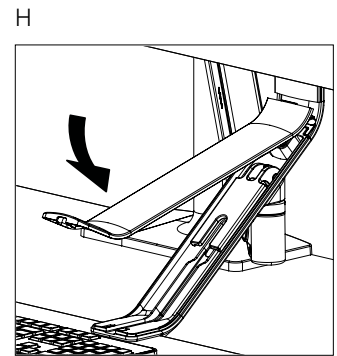
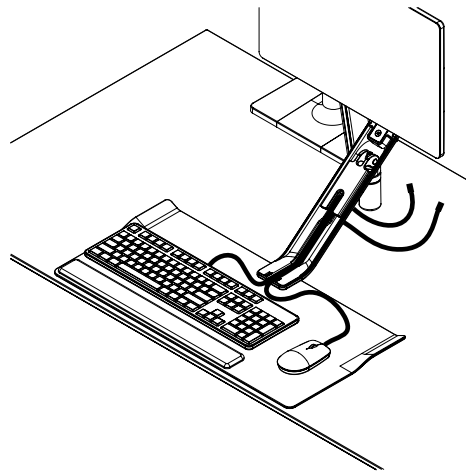
- Position the palm rest where desired, then remove the plastic backing and press down to adhere.



## STEP 16

### Setup Cable Management

- Place the keyboard and mouse on the platform and run the cables through the center channel on the arm and through the cable hole.
- Attach the lower arm cover (fig. H) by hooking the edge under the upper arm cover and pressing the rest down until it snaps tight.



## STEP 17

### Connect Monitors

- Run the power and video cable through the M8 arm cable channel (fig. I) one at a time, followed by the mouse and keyboard cables.
- Guide the cables through the side opening and down the back, then replace the cover (fig. J) by pressing it over them and slide down to lock it in place again.

