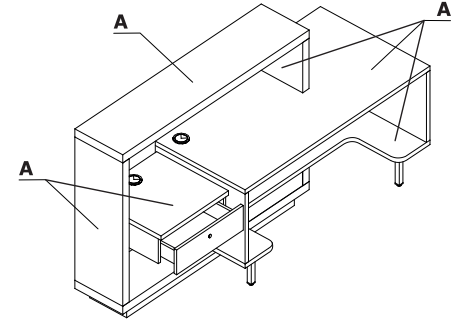
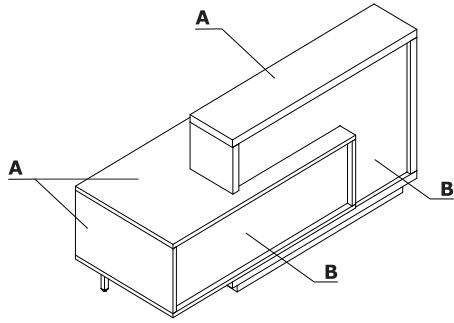


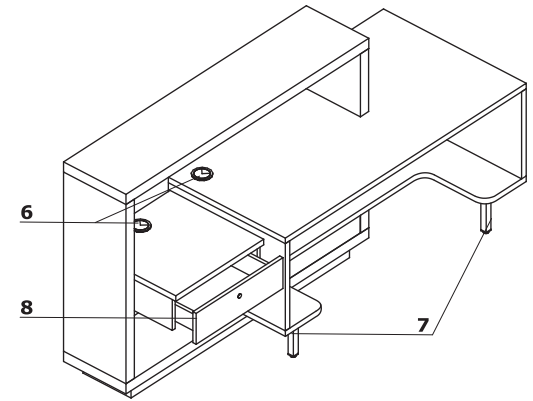
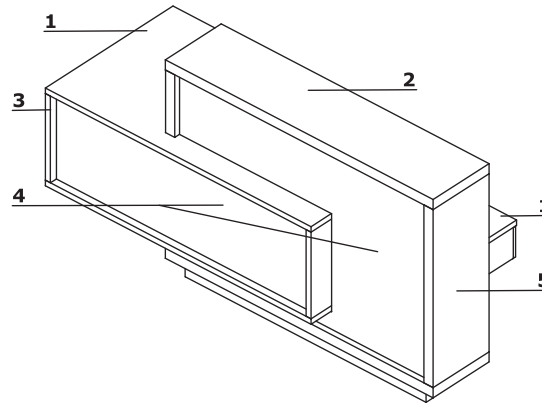
Colour combination - Foro



| Material | Colour | All elements | | | | | | | | | | | | | | |
|----------|-----------------------------|--------------|-----------|--|--|--|--|--|--|--|--|--|--|--|--|--|
| | | A - Body | B - Front | | | | | | | | | | | | | |
| MFC | 34 - chestnut | ✓ | | | | | | | | | | | | | | |
| | 67 - white pastel | ✓ | | | | | | | | | | | | | | |
| HPL | 73 - white high gloss | | ✓ | | | | | | | | | | | | | |
| | 74 - orange high gloss | | ✓ | | | | | | | | | | | | | |
| | 80 - green high gloss | | ✓ | | | | | | | | | | | | | |
| | 81 - burgundy high gloss | | ✓ | | | | | | | | | | | | | |
| | 148 - grey high gloss | | ✓ | | | | | | | | | | | | | |
| | 155 - anthracite high gloss | | ✓ | | | | | | | | | | | | | |

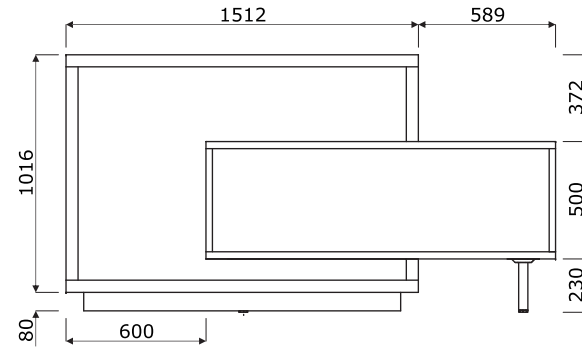
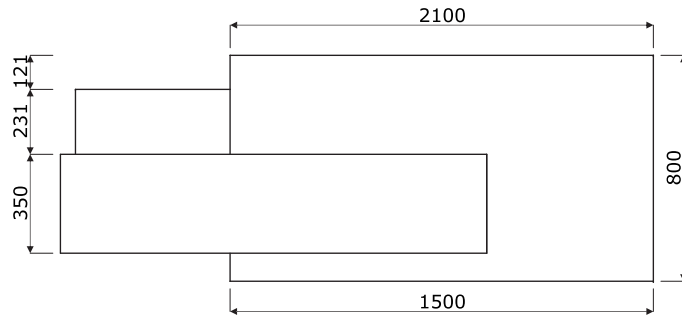
Technical specification

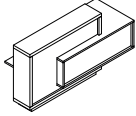
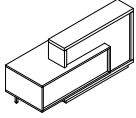
- 1 Worktop** - MFC 28 mm, ABS edge
- 2 Top** - MFC 52 mm (12+12+28 mm);, ABS edge
- 3 Body** - MFC 28 mm, ABS edge
- 4 Front** - MFC 18 mm, coated with HPL high gloss, ABS edge
- 5 Body** - MFC 52 mm, ABS edge
- 6 Cable grommets** - Ø80 mm
- 7 Supporting leg** - profile 30x30 mm, colour: M009 - aluminium semi-matt
- 8 MFC drawer** - ball runners, capacity 40 kg, 80 % pull-out, patent lock



ATTENTION - Interior of the front in white

Dimensions (mm)



| Foro reception desk | | | | | | | |
|---|-------------|--|------------|-------|--------|-------------------------------|----------|
| | Symbol | | Dimensions | | | kg m3 pcs | Comments |
| | | | Width | Depth | Height | | |
|  | LF10 | | 2100 | 800 | 1100 | 171.3 kg 0.447 m3 4 pcs | |
|  | LF11 | | 2100 | 800 | 1100 | 171.3 kg 0.454 m3 4 pcs | |

| Extra charge | | | | | | |
|--------------|--|--|--|--|--|--|
| | | | | | | |
| | | | | | | |
| | | | | | | |