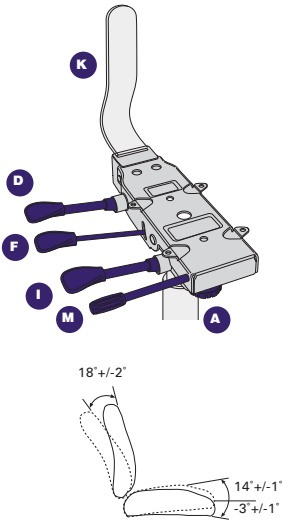
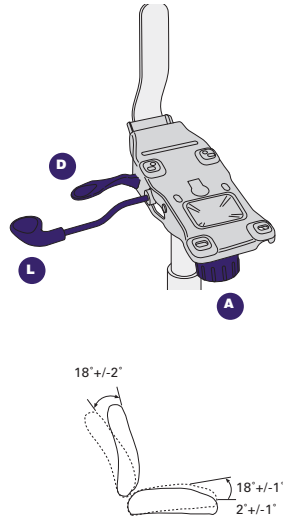


# EVOLVE CONTROL OPTIONS

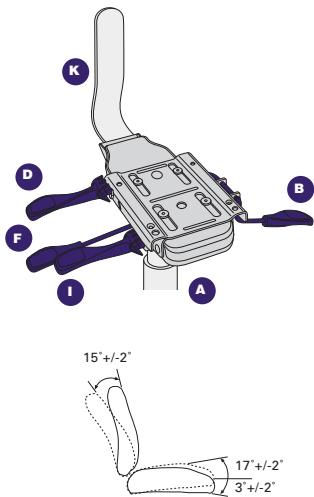
**CONTROL 05 Ratchet Back Multi-Function**



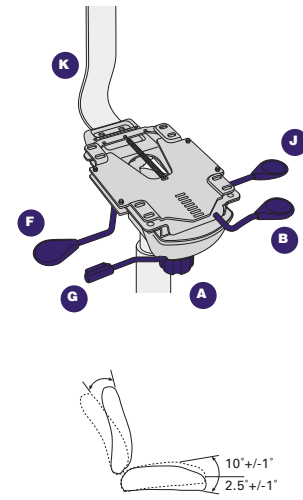
**CONTROL 07 Swivel Tilter**



**CONTROL 08 Knee Tilt, Ratchet Back, Multi-Function w/built-in seat slider**



**CONTROL 11 Deluxe Forward Pivot Syncro w/built-in seat slider**



## **A Tension Knob**

Turn clockwise to increase tension, turn counter-clockwise to decrease tension.

## **B Seat Slider**

Pull lever, push seat to desired depth and release lever to lock. Locks in 5 positions over 2".

## **Back Angle**

### **D Adjustment**

While seated, pull paddle up, when desired angle found push paddle down to lock. Back Free floats in the paddle up position.

## **Pneumatic Height**

### **F Adjustment**

To lower, lift paddle while seated. To raise, lift paddle with your weight off seat.

## **Forward Tilt**

Lean back in chair and roll **G** or pull lever forward for forward tilt, push or roll lever backward for straight position during rocking. Attention: lever can only be moved when in a rear rocking position.

## **I Infinite Seat Angle Adjust with 3 Degree Forward Tilt**

To change seat angle, pull paddle up while seated, push paddle down to lock when desired angle is achieved. Seat can rock.

## **J Infinite Position Tilt Lock**

To lock chair in position, push paddle down. To allow free rocking movement, pull paddle up.

## **K Ratchet Back Height Adjustment**

Simply lift back to desired position and back locks automatically. To release and reset back position, lift back completely, then allow back to fall to bottom reset position.

## **L Pneumatic Height Adjustment/Tilt Rock Lock**

Adjust to raise or lower seat (See F). The lever pushes in towards control to lock in the neutral position. Pull lever out to rock free.

## **M Infinite Tilt/Lock Screw**

Turn screw paddle to adjust seat tilt. Screw paddle system eliminates tilt slippage.



Please make an appointment to visit us

3401 Madison Street  
Skokie, IL 60076  
www.appliedergonomics.com

Call us  
Tel: (847) 679-5148

Email the President directly  
jmeltzer@appliedergonomics.com