



## EASY, STABLE, AND DURABLE SIT-STAND CONVERTER

Quickly and economically converts an existing desk to a smooth and effortless sit-stand workstation. Solace Desktop ships fully assembled, no tools are required making this an ideal retrofit candidate. The compact footprint of the Solace Desktop, easily fits onto a 24" deep desk with room for personal equipment. The large primary work surface includes a grommet for cable management and is expansive enough to accommodate an added Workrite Monitor Arm or two 24" monitors. Solace Desktop is smooth and quiet with gas assisted height adjustment to provide a wide 13.8" lifting range. The independent keyboard surface ensures users can easily set Solace Desktop to their ideal ergonomic position. Solace Desktop is strong enough to support most technology requirements, yet light enough for simple installation and moving from desk-to-desk.



*Solace Desktop in standing position*



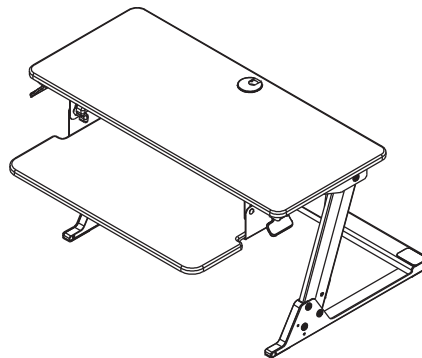
*Solace Desktop in seated position*

# SOLACE DESKTOP

## Solace Desktop

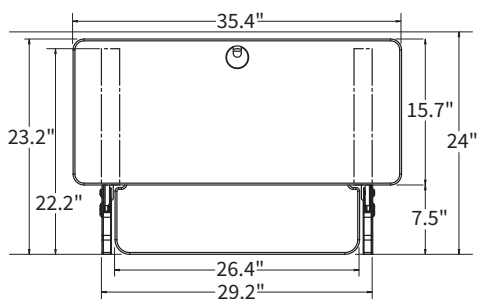
### Specifications:

- Dual worksurface includes independent keyboard surface
- 35 lb. lifting capacity
- 13.8" lifting range, 20" above desktop
- Primary Worksurface:
  - 35.4" W × 15.7" D
  - Includes grommet for cable management
- Keyboard surface:
  - 29.2" W × 7.5" D
  - Independent surface with 20° (+10°/-10°) of tilt

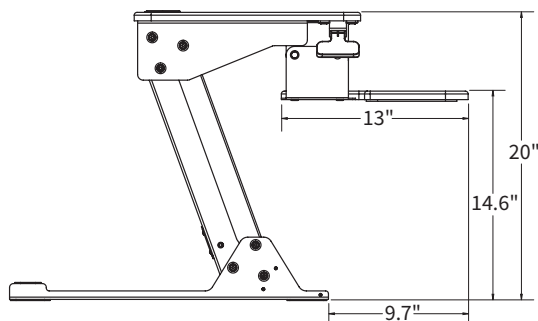


### Dimensions

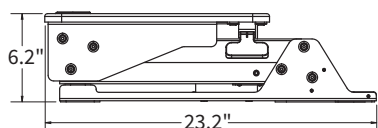
#### Height & width



#### Depth & range



#### Stowed Depth



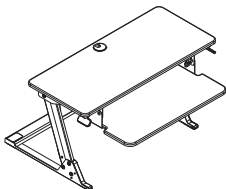
## Solace Desktop

Model #

Weight

SOL-DT-B

40



- 35 lb. capacity
- 13.8" lift range, 20" above desktop
- Separate keyboard surface with 20° of tilt (+10°/-10°)
- Available in black
- Warranty: 2 years