

POWER UP!



For more info, contact us at workriteergo.com or 800.959.9675

Workrite
ergonomics®

The Solace Electric is the perfect retrofit solution if you are looking for electric adjustability but wish to keep your current desk. The Programmable Control does more than just raise and lower the system since it also includes three pre-programmed heights. No more hunting around for the right position. Add Monitor Brackets for either dual or triple monitor configurations and watch your productivity soar! The lifting mechanism will raise both your keyboard platform as well as a spacious secondary worksurface with up to 110 lb. of equipment. Solace Electric comes mostly assembled, requiring one easy step to attach your removable keyboard tray and another to add your monitors.

Specifications:

- Programmable Control with three memory presets
- Dual worksurface includes independent keyboard surface
- 110 lb. lifting capacity for worksurface, 11 lb. for keyboard platform
- 17.1" lifting range, 23.2" above desktop
- Primary Worksurface:
 - 25.6" W × 15" D
- Keyboard surface (removable):
 - 26.4" W × 7.1" D

Monitor Mount Specifications:

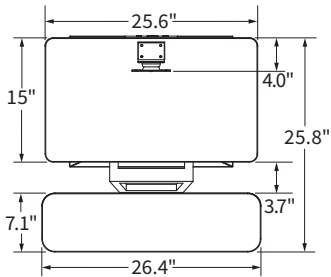
- Supports one monitor up to 22 lb.
- Standard VESA (75 mm & 100 mm)

Optional Monitor Bracket:

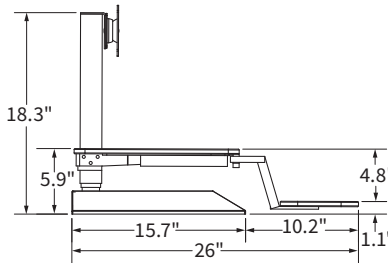
- Optional Dual or Triple Monitor Brackets support monitors up to 22 lb. each
- Monitor mount bracket can be installed in two locations for better height fit



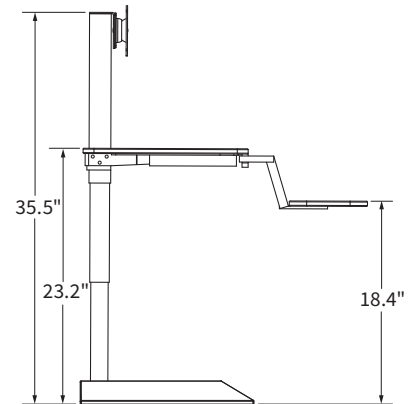
Dimensions
Height & width



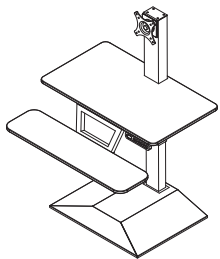
Stowed Depth



Depth & range



Solace Electric

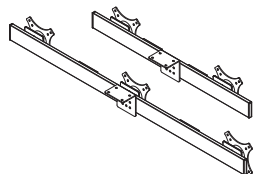


- Programmable Control with three presets
- 110 lb. capacity
- 17.1" lift range, 23.2" above desktop
- Removable keyboard platform
- Available in black
- Warranty: 2 years

Model #	Weight
SOL-E-DT-B	58

Solace Electric Accessories

Monitor Bracket



- Increase productivity with dual or triple monitor configurations
- Supports two or three 22 lb. monitors

Configuration	Model #	Weight
Dual	SOL-E-ADPT-TWIN-B	4
Triple	SOL-E-ADPT-TRIPLE-B	6