



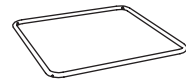
# IRMA BAR STOOL ASSEMBLY



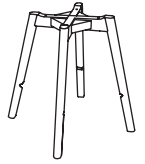
A  
4 PCS



B  
4 PCS



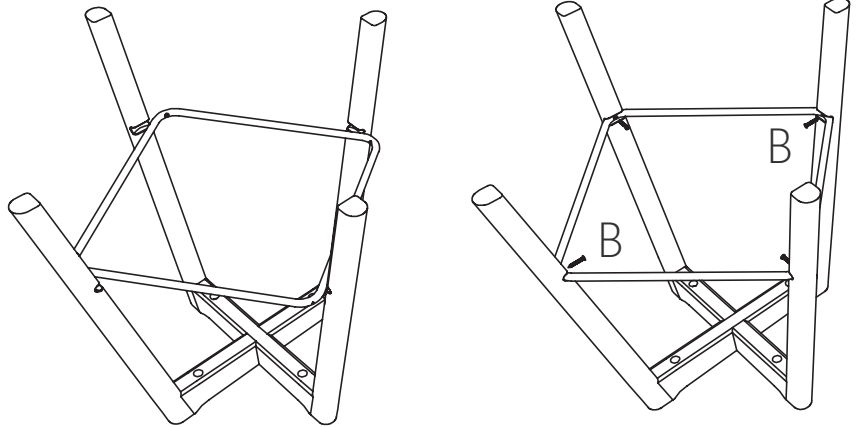
C  
1 PC



D  
1 PC

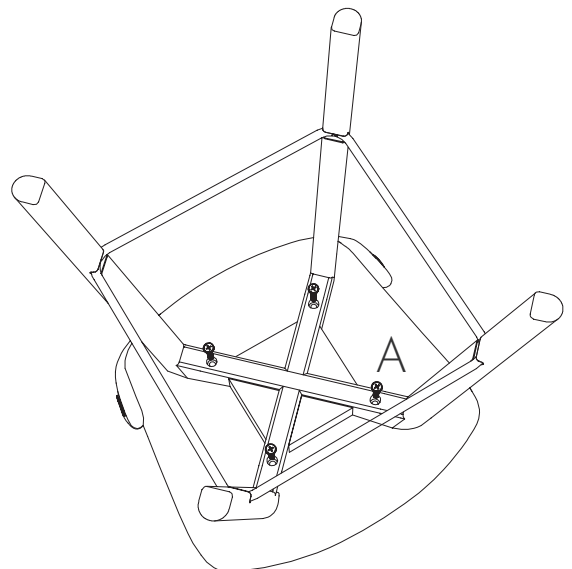
## STEP 01

ROTATE THE IRON FRAME ARC TO THE WOODEN FOOT SLOT. ATTACH BASE FRAME TO WOODEN FEET. SECURE WITH FOUR B SCREWS.



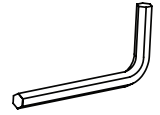
## STEP 02

ATTACH WOODEN FEET TO SEAT CUSHION. SECURE WITH FOUR A SCREWS.





# IRMA PLastic Bar Stool with Metal Base ASSEMBLY



A  
4 PCS

B  
4 PCS

C  
1 PC

## STEP 01

