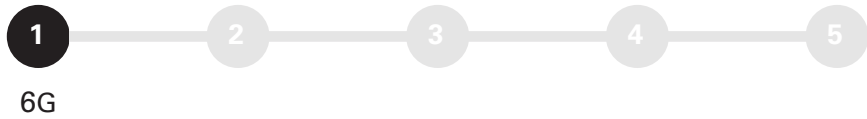


# Build Your Keyboard System Product Code



## STEP 1: MECHANISM OPTIONS

	<p><b>6G (Black), 6GW (White)</b></p> <p>Humanscale's most advanced keyboard mechanism to date, the 6G provides intuitive ergonomic adjustability and unmatched styling.</p> <p>7" height adjustment (1.75" above track to 5.25" below track)</p> <p>Comes standard with 21.625" track</p>		<p><b>5GSM (Black)</b></p> <p>The 5G Short Mechanism provides 5G functionality with a shorter arm for small workstations and tight spaces.</p> <p>4" height adjustment (0.5" above track to 3.5" below track)</p> <p>Comes standard with 18" track</p>
--	--	--	--



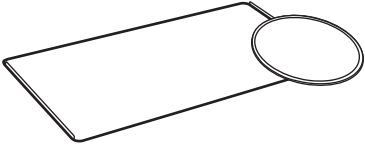
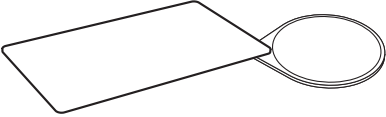
## STEP 2: KEYBOARD PLATFORM OPTIONS

STEP 2: KEYBOARD PLATFORM OPTIONS	CODE	Description
	<b>900</b>	<p>Standard</p> <p>Available in White with 6GW.</p>
	<b>500</b>	<p>Big</p> <p>Comes with built-in mousing surface. Not available with other mouse platform options.</p> <p>Available in White with 6GW.</p>
	<b>950</b>	<p>Standard Compact</p> <p>Available in White with 6GW.</p>
	<b>550</b>	<p>Big Compact</p> <p>Comes with built-in mousing surface. Not available with other mouse platform options.</p> <p>Available in White with 6GW.</p>

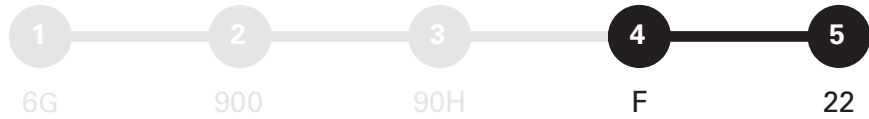
# Build Your Keyboard System Product Code (cont.)



## STEP 3: MOUSE PLATFORM OPTIONS

	CODE	DESCRIPTION
	<b>90</b>	8.5" Clip
	<b>90H</b>	8.5" High Clip
<i>Available in White with 6GW.</i>		
	<b>11R</b>	8" Swivel Right
	<b>11L</b>	8" Swivel Left
<i>Available in White with 6GW.</i>		

# Build Your Keyboard System Product Code (cont.)



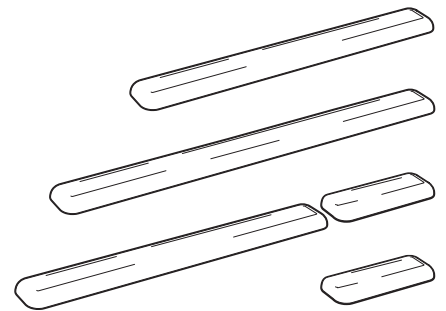
## STEP 4: PALM SUPPORT OPTIONS

CODE	DESCRIPTION	COLOR
F	19" Foam with synthetic leather cover	B/G
G	19" Gel with synthetic leather cover	B/G
S	19" Slim palm support	B/G

*All Build-Your-Own palm supports are available in Black only, unless otherwise noted.*

*B = Black*

*G = Gray*



## STEP 5: TRACK OPTIONS

CODE	DESCRIPTION
27	27" Track
25	25" Track
22	Standard 21.625" Track
18	18" Track
16	16" Track
14	14" Track
12	12.5" Track
11	11" Track

*All keyboard systems ship with track lengths as noted in Step 1 unless a different track length is specified. Please use these codes to order a specific track for your system.*

