



Receptions

installation guide

November 2022

for more information, contact Installation Service
toll-free | 1.800.675.4092
Mon - Fri | 8:30 am – 5:00 pm EST

Table of Contents

General Instructions	4 06
Installation Checklist	4
Care and Maintenance	5
Caution	6
Receptions	7 95
Karibu Reception Station - Straight.....	7
Karibu Reception Station – L-shaped	24
Maeva Reception Station - Straight	41
Maeva Reception Station – L-shaped.....	54
Aloha Reception Station.....	77

Installation Checklist

Perform a site inspection before the installation date to check existing site conditions and identify constraints and limitations that could cause delays or problems during the actual installation.

SITE ACCESSIBILITY

1. Verify existing loading facilities and the proximity of the loading dock to the staging area.
2. Verify if receiving area is accessible by trailer.
3. Verify access to service elevators.
4. Reserve service elevators in advance, if necessary.

SITE PREPARATION

1. Clear all obstacles that could interfere with the installation process.
2. When doing a reconfiguration, ensure that all furniture to be re-used is clear of computers, accessories, books, papers, and all personal effects.
3. Ensure that all live wires and data/communications wires are disconnected before installation.

FURNITURE PLANS

1. Labeled furniture plans for installation purposes are located in the hardware box. Ensure that drawings are complete and handy before beginning installation.

STAGING

1. If damages are noticed upon opening the trailer, these must be noted by the receiver on the Bill of Lading. Also, note any imperfections or missing components discovered while unpacking the furniture. This information is necessary when requesting product replacement and shipping claims.
2. Unpack products in the general order of installation (refer to Installation Sequence).

WASTE MANAGEMENT

1. Establish a trash removal area separate from the product staging area.

Care & Maintenance

Laminates

Dust laminated surfaces for regular maintenance. Clean any dirt or stain with a damp cloth. Do not use an excessive amount of water, abrasive cleaners, acids, or alkalis, and do not scratch or scrape surfaces. For persistent stains and marks use a commercial cleaner, such as Cabinet Magic® or Countertop Magic®, both manufactured by Magic American Corporation.

Painted Metals

Tayco's painted metal products are powder-paint-coated. To clean these products, use a damp cloth, using only a small amount of lukewarm water if necessary. Dry with a clean a dry cloth. To avoid scratching and damaging the painted surface, do not use hard-bristled brushes or abrasives.

THE USE OF HARSH CLEANERS AND CHEMICALS MAY PERMANENTLY ALTER THE PRODUCT FINISH APPEARANCE AND WILL VOID THE WARRANTY.



Load Bottom Drawer First

- Operate one drawer at a time.
- Units may tip if loaded incorrectly.
- Units should be attached to a wall or other furniture to reduce tipping hazards.
- Always load the heaviest files in the bottom drawer.

Heavy Load

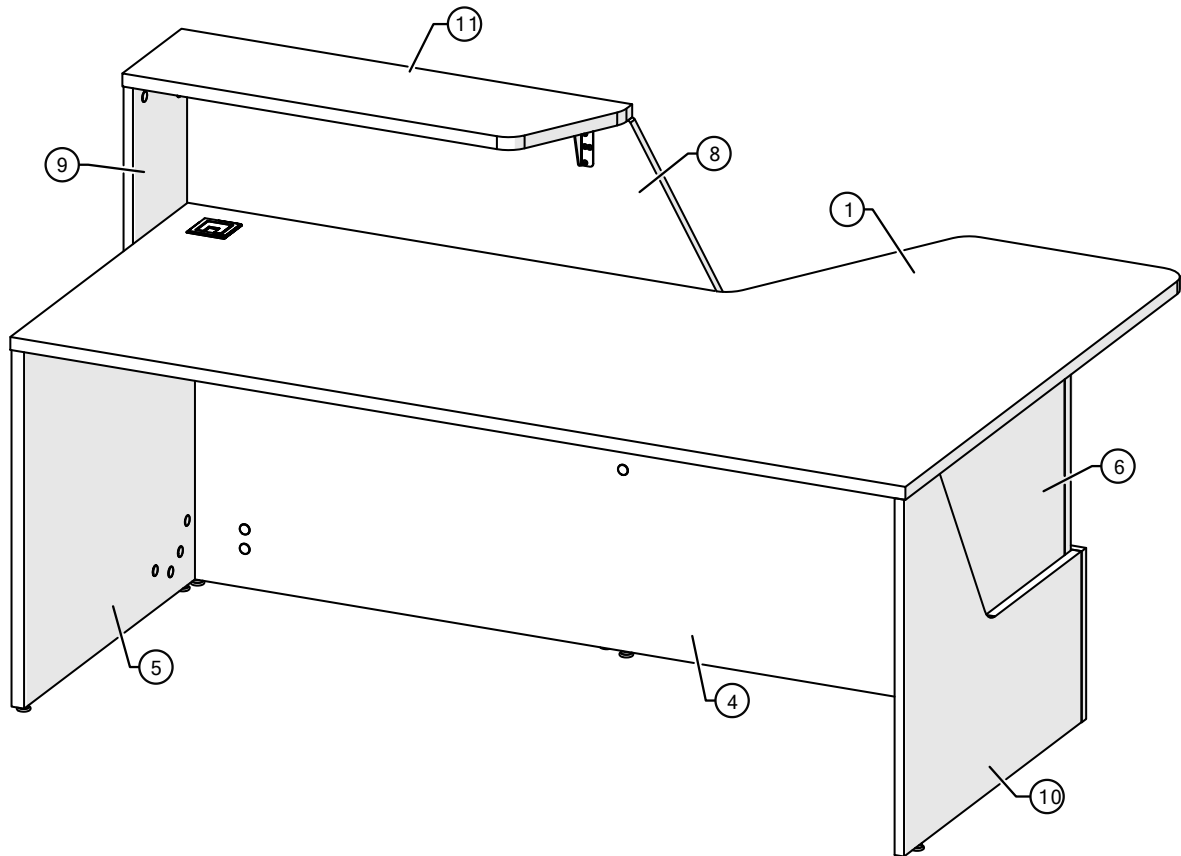
- Some products must be anchored to the wall to ensure stability & safety.
- It is the owner and installer's responsibility to ensure that the wall type and construction are of sufficient strength to carry loads of any wall-mounted products and their contents.
- Failure of the wall and anchors to support all imposed loads may result in property damage and/or personal injury.
- Tayco can provide the size and empty weight of its products only. A wall blocking is considered a building construction process, Tayco cannot provide recommendations in this respect and cannot be responsible for damage or injury that may occur as a result of improper installation and/or blocking.

Instability Hazard

Mobile items on casters such as flip tops, personal and movable tables of any type, and storage items of any type may present an instability hazard if not secured correctly while in use or storage. Flip-top tables or training tables of any type are inherently more unstable when folded. Tayco provides the following guidelines & warnings when using mobile products:

- Lock casters immediately after moving. Do not leave the casters unlocked when in use or storage.
- Motion may increase the instability of any item with casters. If the wheels hit an obstruction the table's forward momentum often causes overturn, especially if the item is not equipped with wheel extensions. Exercise strong caution while moving these items.
- Use caution when abrupt level changes in the floor are present (such as a doorway or room threshold) as caster failure or tipping may result.
- Do not stand, sit or lean on mobile items for support. They are not intended for this use and personal injury or property damage may result.
- Mobile units that feature height-adjustable elements must be lowered to the minimum compressed height when moving to prevent instability. It is also recommended the user remove all computer equipment or other accessories to prevent possible weight imbalance or damage to equipment.
- Failure to follow the guidelines above may result in property damage or personal injury.

Karibu Reception Station - Straight



- ① WORKSURFACE W/ ADA (LH SHOWN)
- ④ MODESTY
- ⑤ GABLE LH
- ⑥ GABLE RH
- ⑧ ANGLED RECEPTION COUNTERTOP MODESTY
- ⑨ RECEPTION COUNTERTOP GABLE
- ⑩ ANGLED RECEPTION COUNTERTOP GABLE
- ⑪ COUNTERTOP

Karibu Reception Station - Straight

NOTE: A minimum of two people are required to perform this installation.

1. Place the worksurface face down on a clean solid surface or floor with the underside facing up (Figure 1).
2. Screw in combi dowels into the pre-drilled 5 mm holes of the worksurface (Figure 2).

Continued on the next page >>

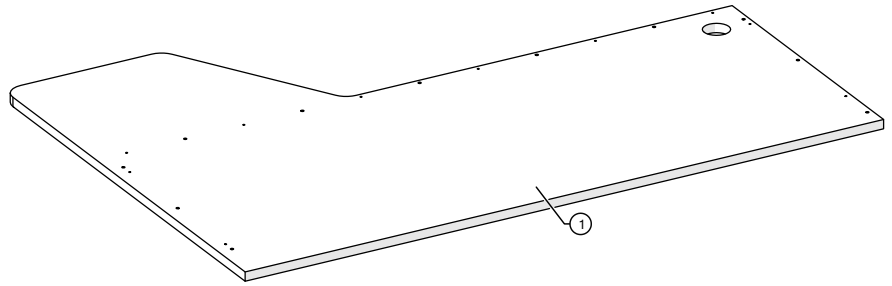
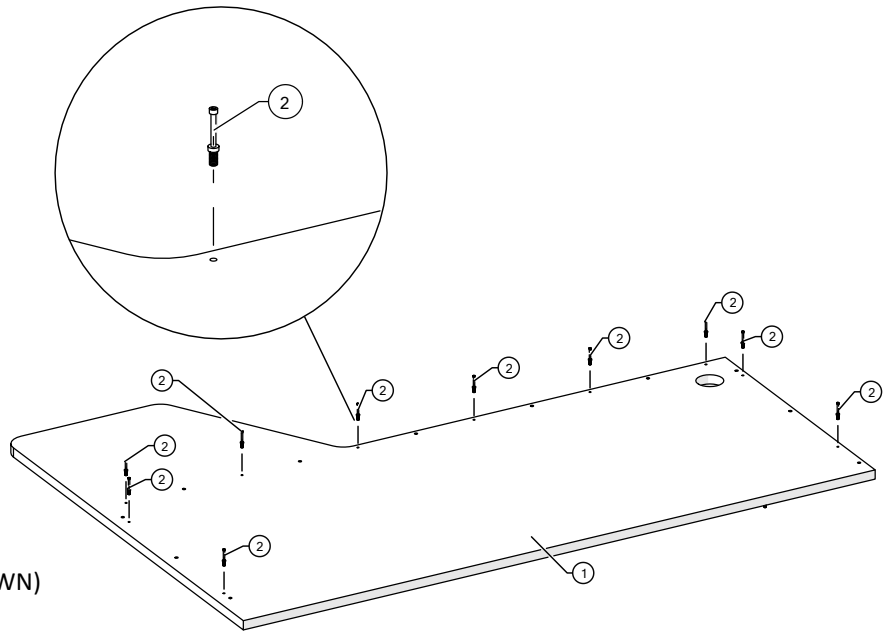


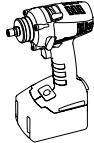

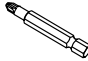
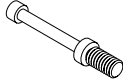
Figure 1



- ① WORKSURFACE W/ ADA (LH SHOWN)
- ② COMBI DOWEL

Figure 2

Tools & Hardware Needed

			8540-1278 	
Drill	Robertson #2 Long Bit	Phillips Bit	Combi Dowel, 8mm x 34mm	

Karibu Reception Station - Straight

3. Push the wooden dowels into the pre-drilled 8 mm holes of the worksurface and then lightly tap with a rubber mallet to hold them firmly (Figure 3).
4. Screw in combi dowels into the pre-drilled 5 mm holes of the modesty (Figure 4).

Continued on the next page >>

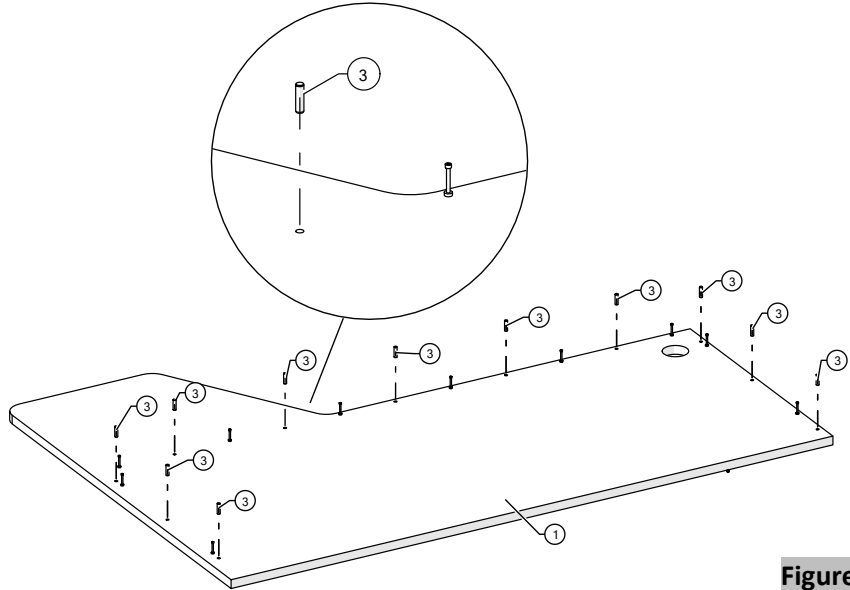


Figure 3

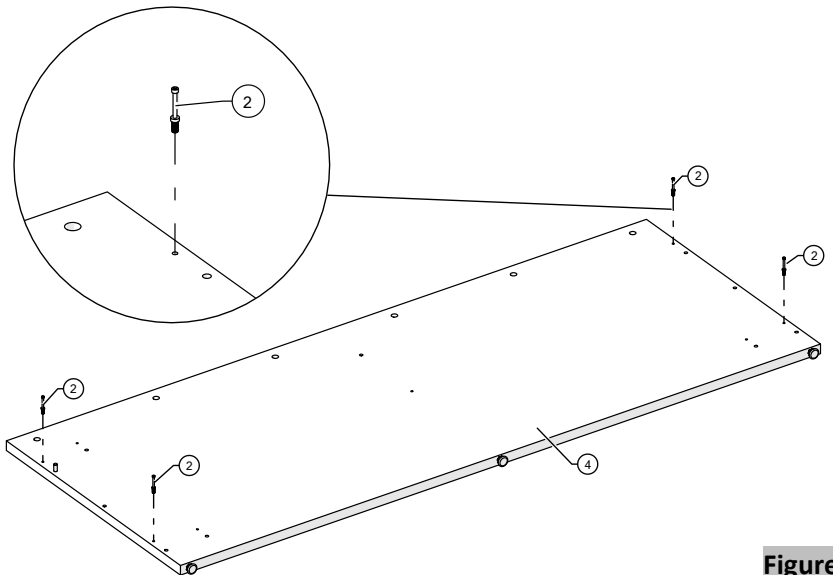
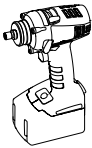

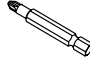
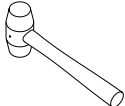
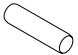
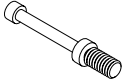


Figure 4

- 1 WORKSURFACE W/ ADA (LH SHOWN)
- 2 COMBI DOWEL
- 3 WOODEN DOWEL
- 4 MODESTY

Tools & Hardware Needed

				8540-0770 
Drill	Robertson #2 Long Bit	Phillips Bit	Rubber Mallet	Wooden Dowel, 8mm Dia. x30mm L
8540-1278 				
Combi Dowel, 8mm x 34mm				

Karibu Reception Station - Straight

5. Push the wooden dowels into the pre-drilled 8 mm holes of the modesty, gable LH, and gable RH, and then lightly tap with a rubber mallet to hold them firmly (Figure 5).

Continued on the next page >>

Figure 5

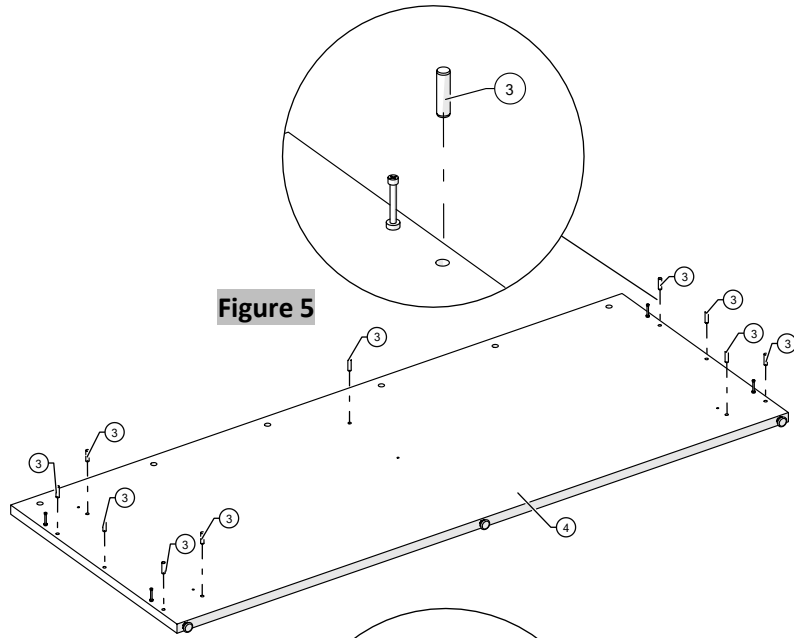
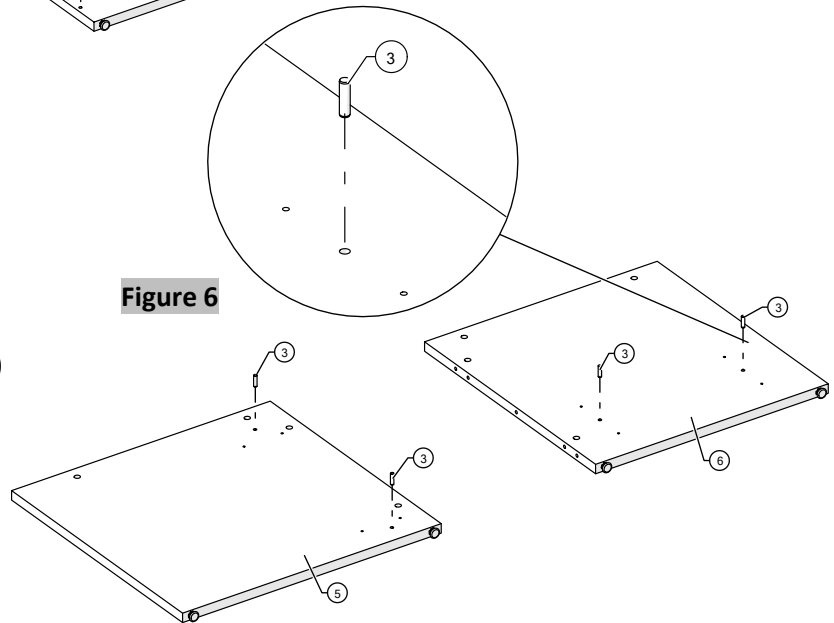
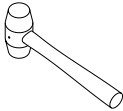



Figure 6



- ① WORKSURFACE W/ ADA (LH SHOWN)
- ③ WOODEN DOWEL
- ④ MODESTY
- ⑤ GABLE LH
- ⑥ GABLE RH

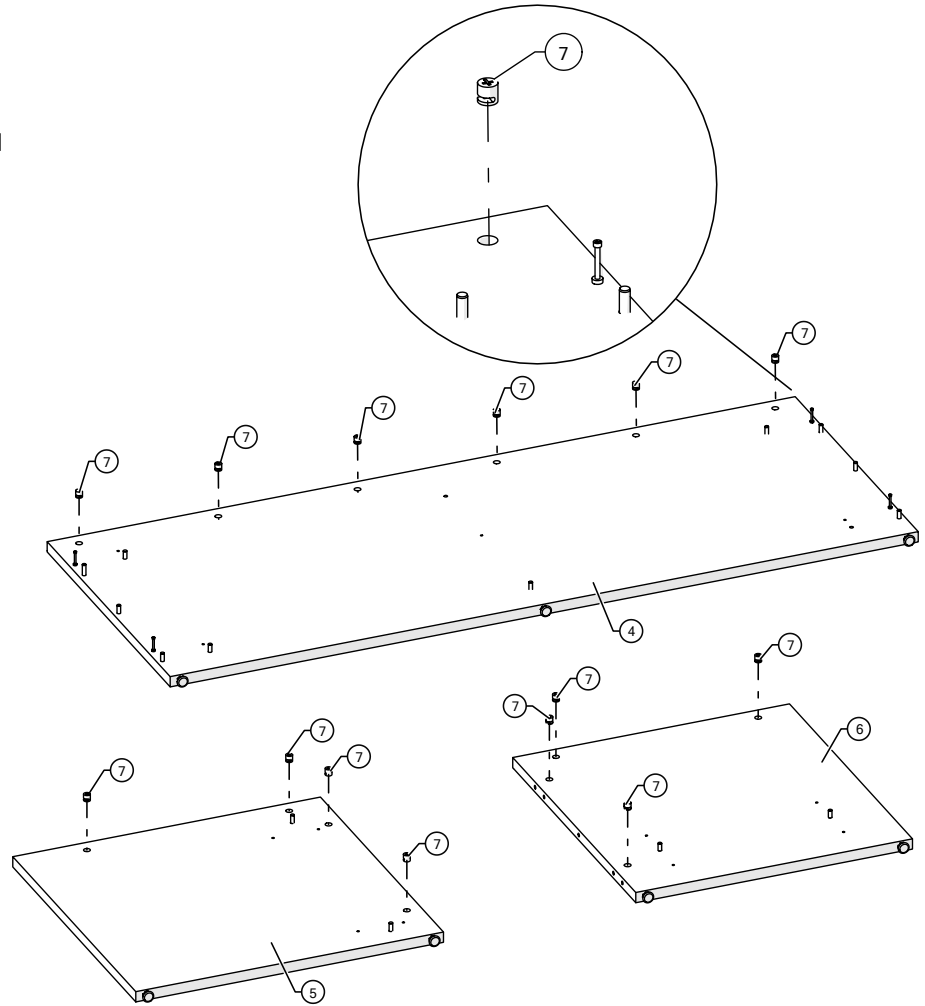
Tools & Hardware Needed

	8540-0770 			
Rubber Mallet	Wooden Dowel, 8mm Dia. x30mm L			

Karibu Reception Station - Straight

- Place Cams into the holes of the modesty, gable LH, and gable RH; make sure that the arrow on the face of the connector points toward the laminate board (Figure 7).

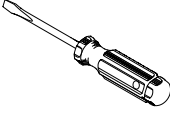

Continued on the next page >>



- ④ MODESTY
- ⑤ GABLE LH
- ⑥ GABLE RH
- ⑦ CAM

Figure 7

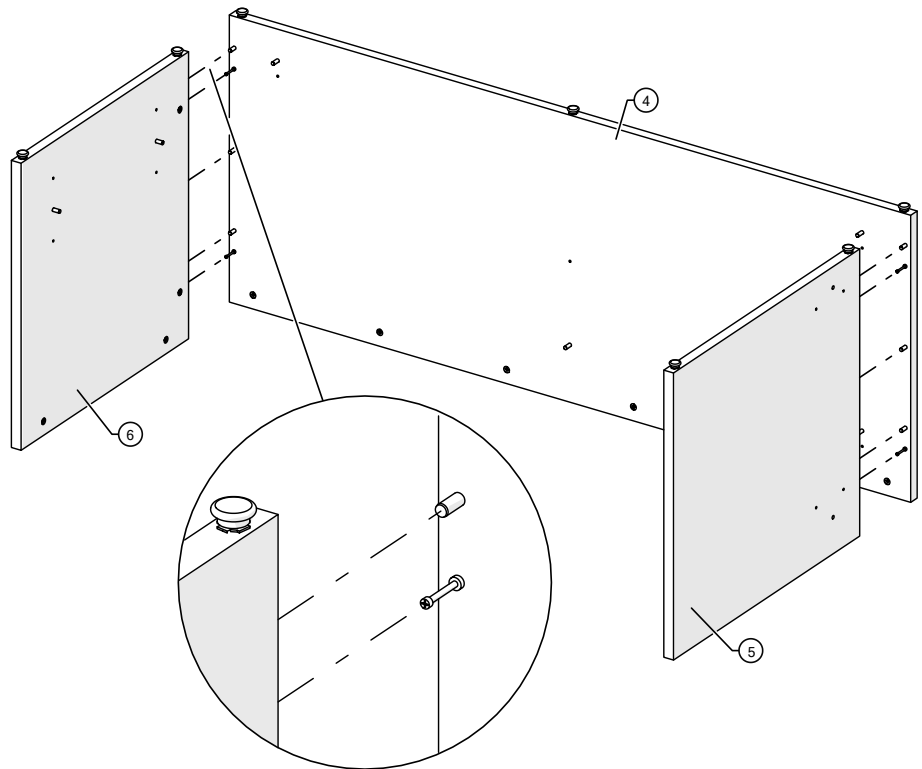
Tools & Hardware Needed

	8540-1366 			
Flat Screw Driver	CAM			

Karibu Reception Station - Straight

8. Connect the gable LH and RH to modesty and press tightly together by inserting the combi dowels and wooden dowels into the side holes of the gable LH and RH (Figure 8).

Continued on the next page >>



- ④ MODESTY
- ⑤ GABLE LH
- ⑥ GABLE RH

Figure 8

Tools & Hardware Needed

Karibu Reception Station - Straight

- Turn the Cams using a screwdriver in a clockwise direction to smoothly lock the modesty, gable LH, and gable RH together (Figure 9).

Continued on the next page >>

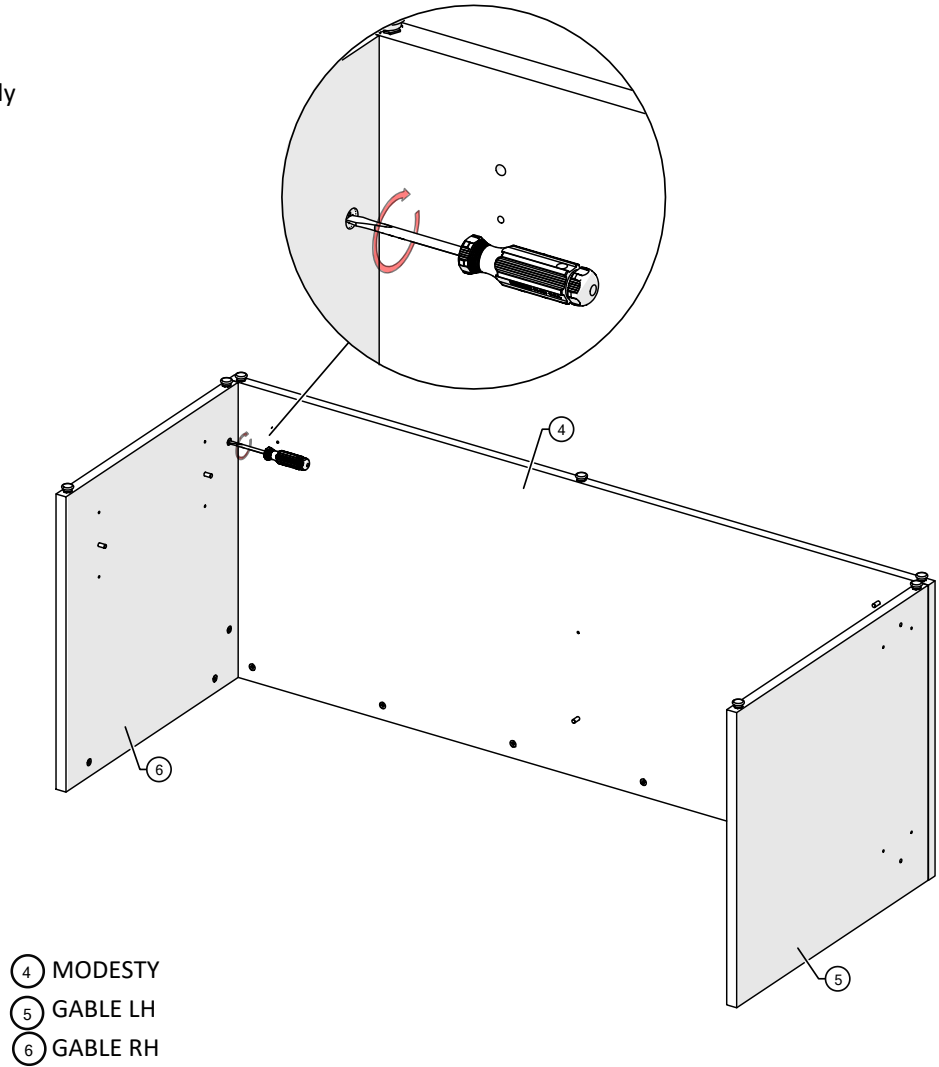
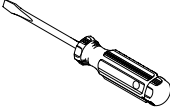


Figure 9

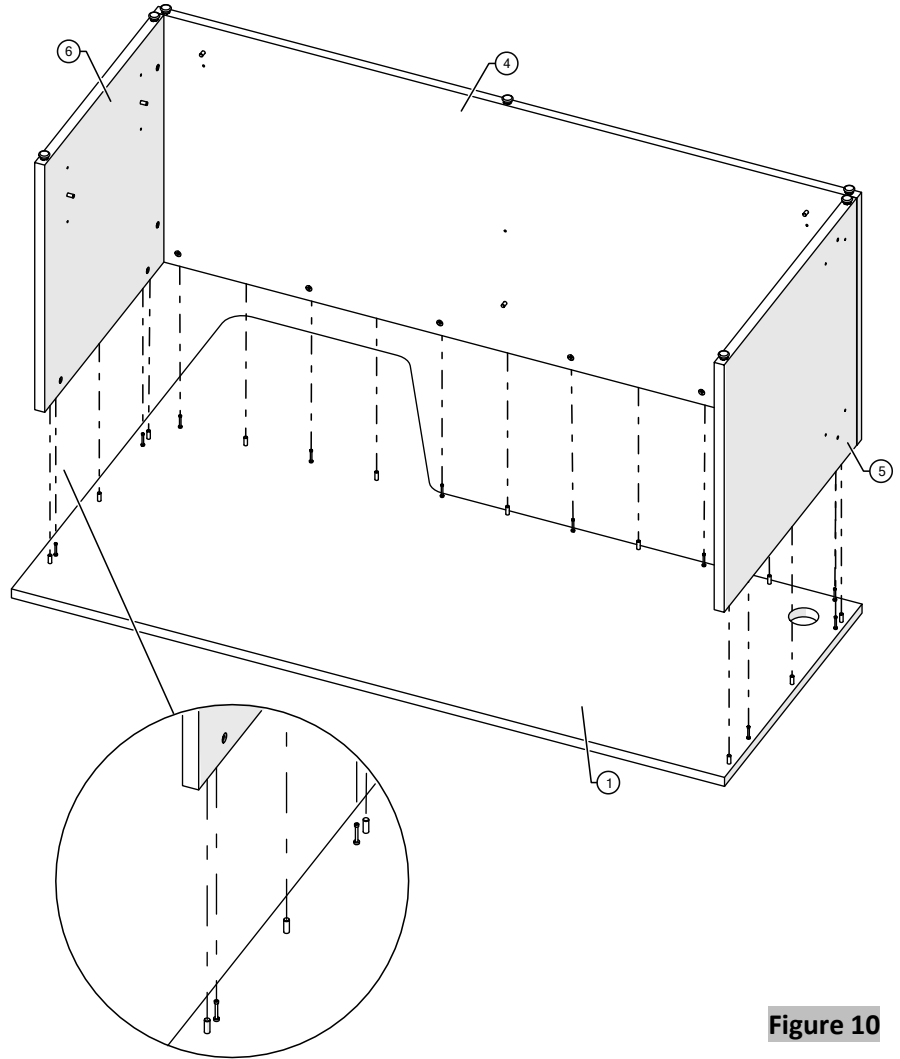
Tools & Hardware Needed

				
Flat Screw Driver				

Karibu Reception Station - Straight

10. Connect the assembled unit (gable LH, gable RH, and modesty) to the worksurface and then press tightly together by inserting the combi dowels and wooden dowels into the holes of the assembled unit (Figure 10).

Continued on the next page >>



- ① WORKSURFACE W/ ADA
- ④ MODESTY
- ⑤ GABLE LH
- ⑥ GABLE RH

Figure 10

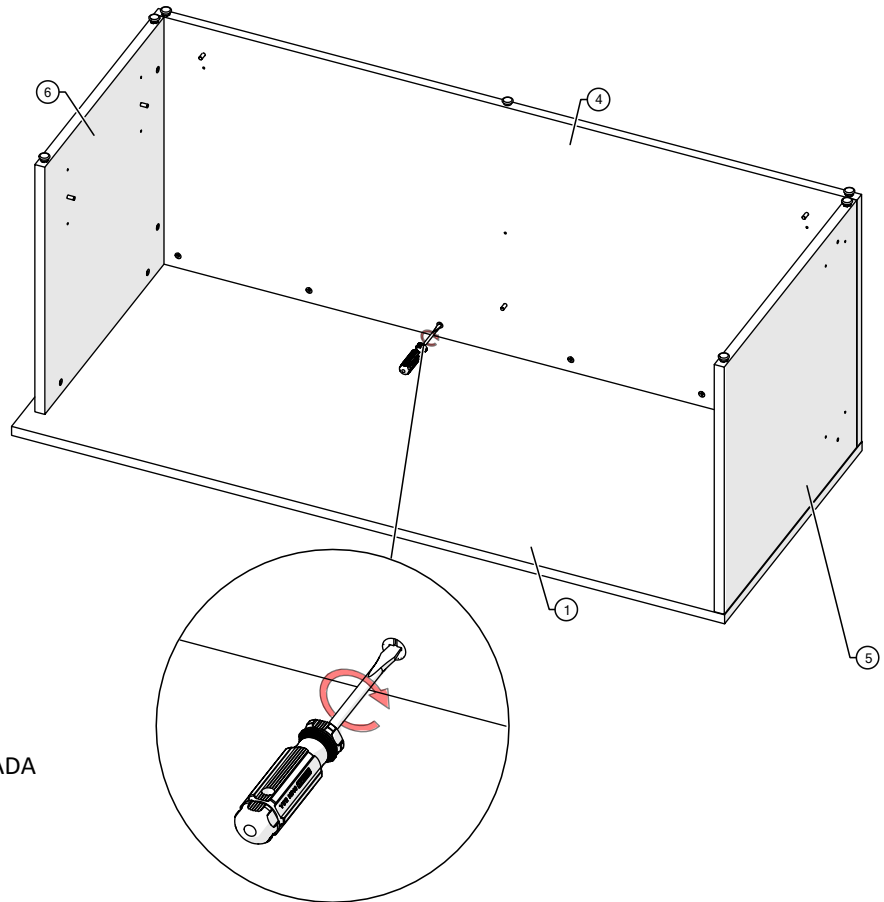
Tools & Hardware Needed

Karibu Reception Station - Straight

11. Turn the Cams using a screwdriver in a clockwise direction to lock the worksurface and assembled unit (Figure 11).

12. Flip the assembled desk upright position; level and adjust the glides if necessary.

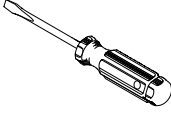
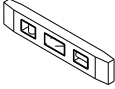
Continued on the next page >>



- ① WORKSURFACE W/ ADA
- ④ MODESTY
- ⑤ GABLE LH
- ⑥ GABLE RH

Figure 11

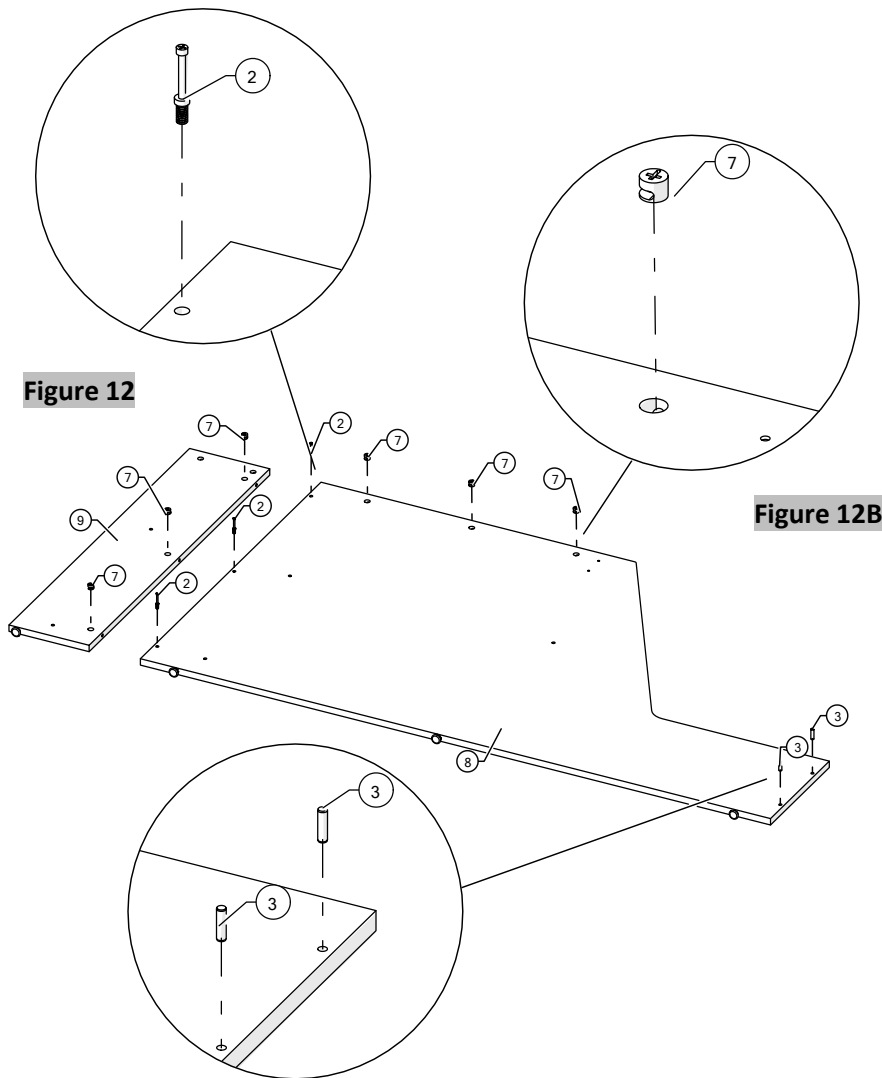
Tools & Hardware Needed

				
Flat Screw Driver	Torpedo Level			

Karibu Reception Station - Straight

- 13.** Screw in combi dowels into the pre-drilled 5 mm holes of the angled reception countertop modesty (Figure 12).
- 14.** Push in the wooden dowels into the pre-drilled 8 mm holes of the angled reception countertop modesty and then lightly tap with a rubber mallet to hold them firmly (Figure 12A).
- 15.** Place Cams into the holes of the angled reception countertop modesty and reception countertop gable; make sure that the arrow on the face of the connector points toward the laminate board (Figure 12B).

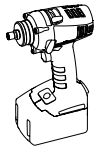


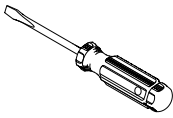
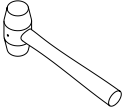
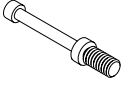
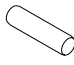

Continued on the next page >>



- ② COMBI DOWEL
- ③ WOODEN DOWEL
- ⑦ CAM LOCK CONNECTOR
- ⑧ ANGLED RECEPTION COUNTERTOP MODESTY
- ⑨ RECEPTION COUNTERTOP GABLE

Figure 12A

Tools & Hardware Needed

				
Drill	Robertson #2 Long Bit	Phillips Bit	Flat Screw Driver	Rubber Mallet
8540-1278	8540-0770	8540-1366		
				
Combi Dowel, 8mm x 34mm	Wooden Dowel, 8mm Dia. x30mm L	CAM Lock Connector		

Karibu Reception Station - Straight

16. Connect the reception countertop gable to the angled reception countertop modesty and press tightly together by inserting the combi dowels into the holes of the reception countertop gable (Figure 13).

17. Turn the Cams using a screwdriver in a clockwise direction to lock the reception countertop gable and angled reception countertop modesty together (Figure 14).

Continued on the next page >>

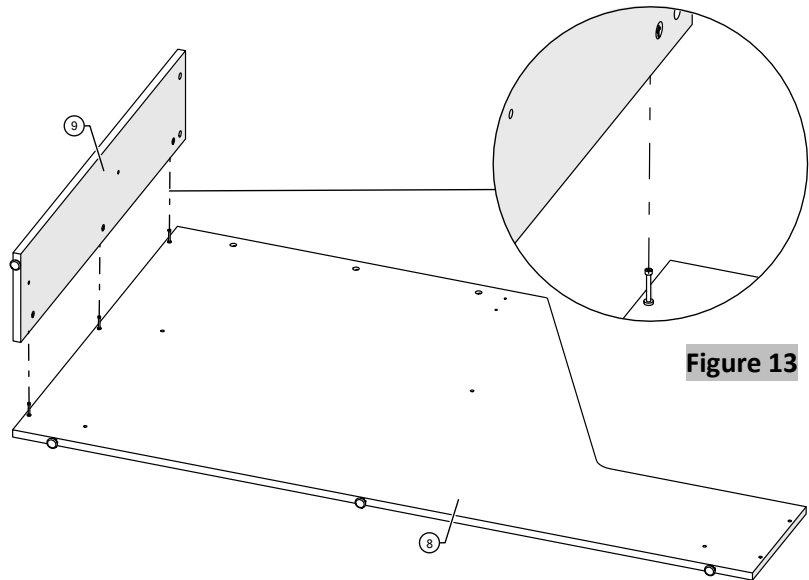


Figure 13

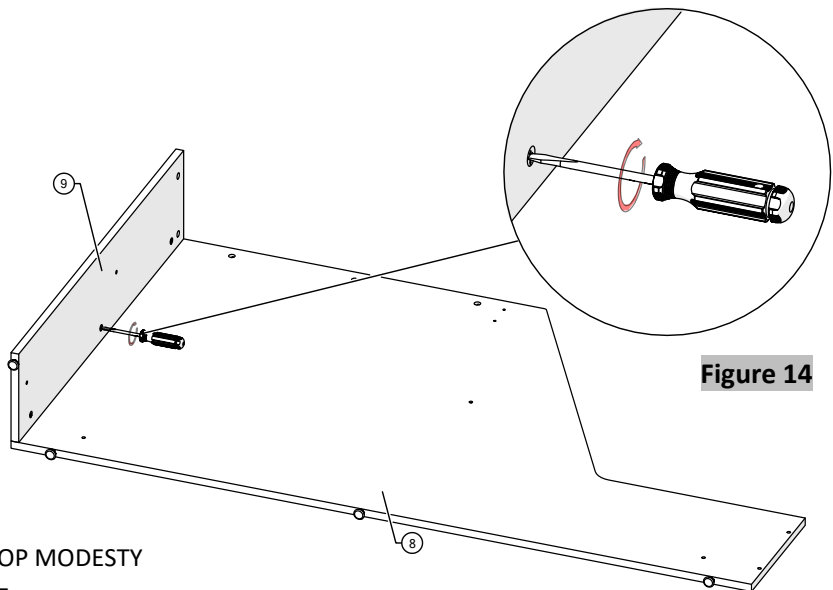
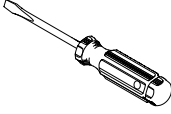


Figure 14

- ⑧ ANGLED RECEPTION COUNTERTOP MODESTY
- ⑨ RECEPTION COUNTERTOP GABLE

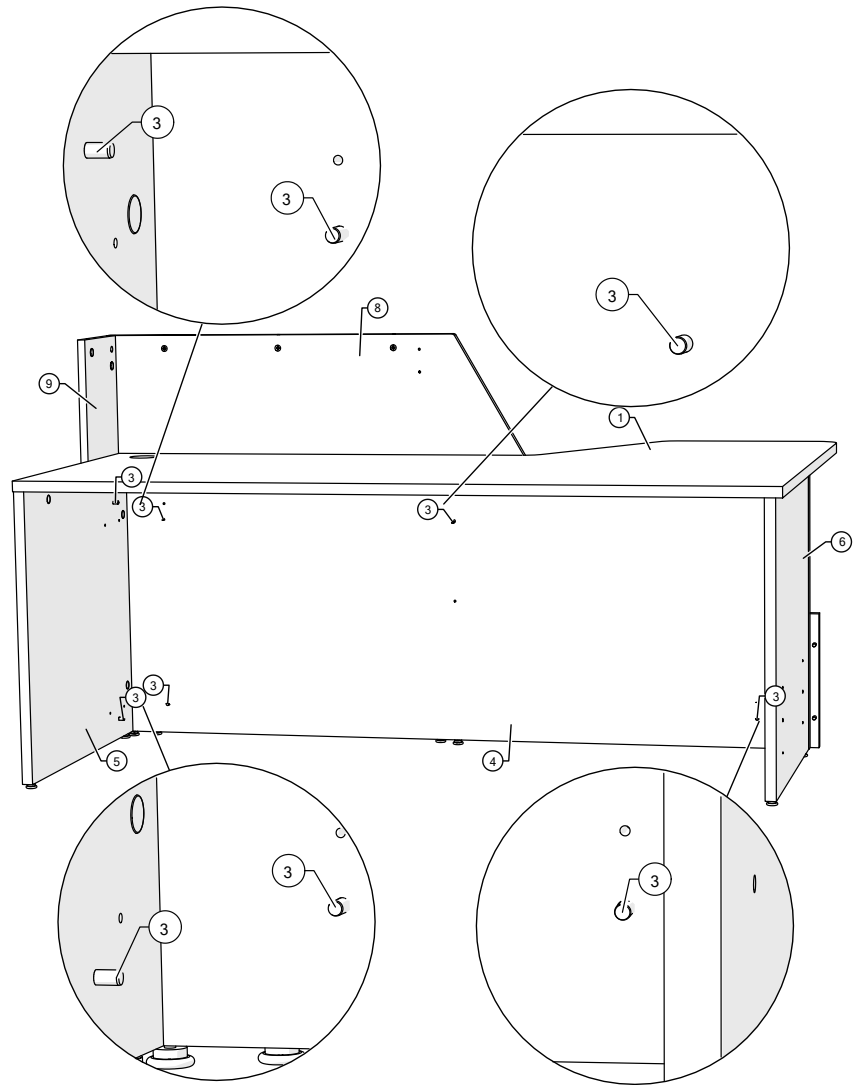
Tools & Hardware Needed

				
Flat Screw Driver				

Karibu Reception Station - Straight

18. Position and align the assembled unit (angled reception countertop modesty and reception countertop gable) with the corner of the desk; push the wooden dowels in with a wooden dowel and rubber mallet to hold the assembled unit (Figure 15).

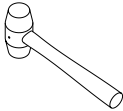
Continued on the next page >>



- ① WORKSURFACE W/ ADA (LH SHOWN)
- ③ WOODEN DOWEL
- ④ MODESTY
- ⑤ GABLE LH
- ⑥ GABLE RH
- ⑧ ANGLED RECEPTION COUNTERTOP MODESTY
- ⑨ RECEPTION COUNTERTOP GABLE

Figure 15

Tools & Hardware Needed

	8540-0770			
Rubber Mallet	Wooden Dowel, 8mm Dia. x30mm L			

Karibu Reception Station - Straight

19. Connect the angled reception countertop gable to the angled reception countertop modesty and press tightly together by inserting wooden dowels into the holes of the angled reception countertop gable (Figure 16).

20. Push the wooden dowels in with a wooden dowel and rubber mallet to hold the angled reception countertop gable (Figure 17).

Continued on the next page >>

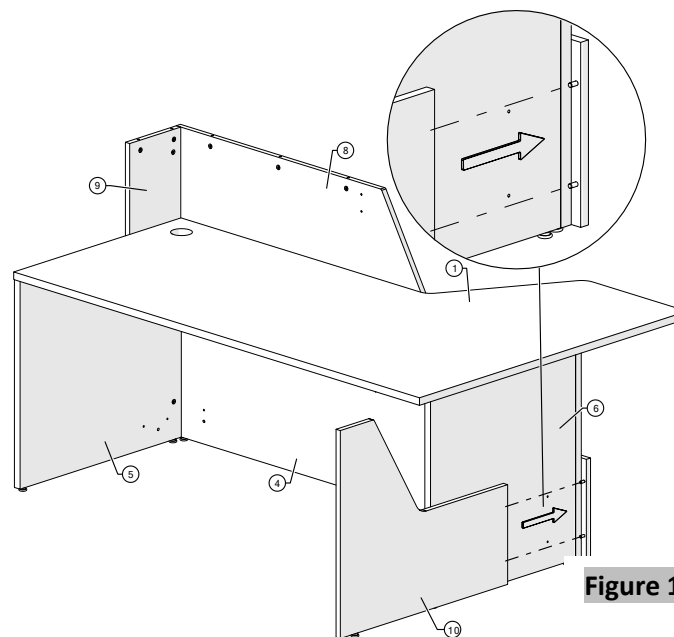


Figure 16

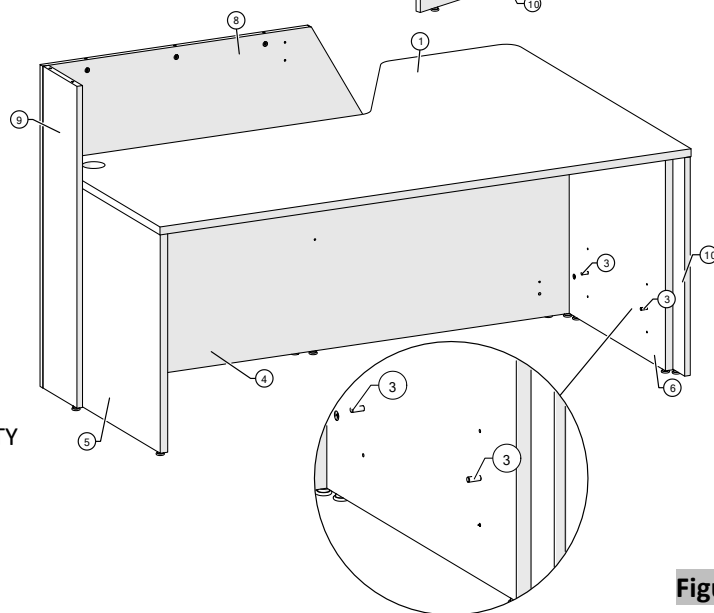
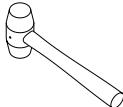


Figure 17

- ① WORKSURFACE W/ ADA (LH SHOWN)
- ③ WOODEN DOWEL
- ④ MODESTY
- ⑤ GABLE LH
- ⑥ GABLE RH
- ⑧ ANGLED RECEPTION COUNTERTOP MODESTY
- ⑨ RECEPTION COUNTERTOP GABLE
- ⑩ ANGLED RECEPTION COUNTERTOP GABLE

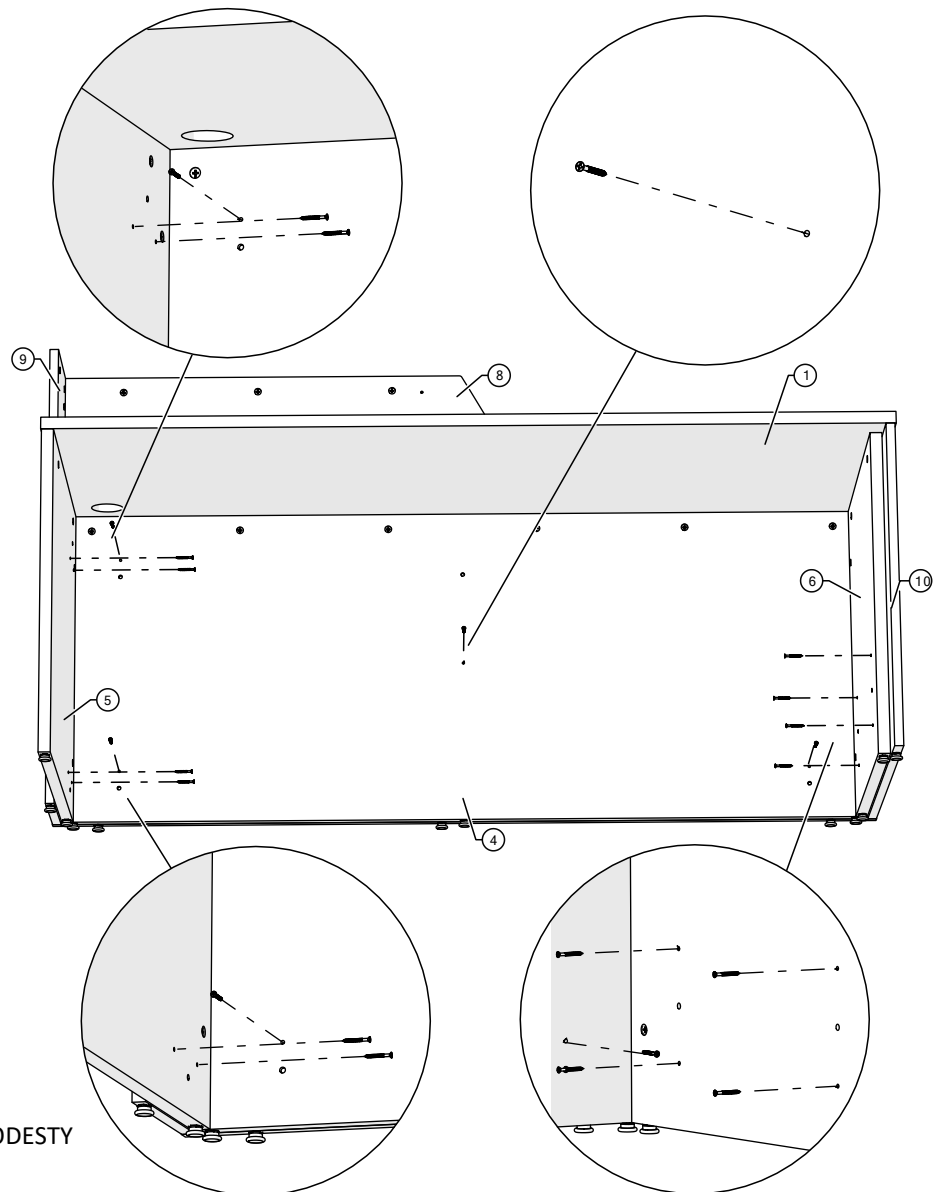
Tools & Hardware Needed

	8540-0770			
Rubber Mallet	Wooden Dowel, 8mm Dia. x30mm L			

Karibu Reception Station - Straight

21. Screw in #8 x 1-1/2" Flat Head Screws into the pre-drilled holes to fasten the reception countertop gable, angled reception countertop modesty, and angled reception countertop gable (Figure 18).

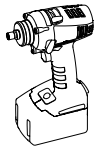
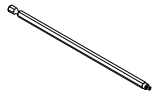
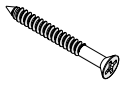
Continued on the next page >>



- ① WORKSURFACE W/ ADA (LH SHOWN)
- ④ MODESTY
- ⑤ GABLE LH
- ⑥ GABLE RH
- ⑧ ANGLED RECEPTION COUNTERTOP MODESTY
- ⑨ RECEPTION COUNTERTOP GABLE
- ⑩ ANGLED RECEPTION COUNTERTOP GABLE

Figure 18

Tools & Hardware Needed

		8540-0591 		
Drill	Robertson #2 Long Bit	#8 x 1-1/2" Flat Head Screw		

Karibu Reception Station - Straight

22. Screw in combi dowels into the pre-drilled 5 mm holes of the countertop (Figure 19).

23. Connect the countertop to the angled reception countertop gable and angled reception countertop modesty; press tightly together by inserting combi dowels into the top holes (Figure 20).

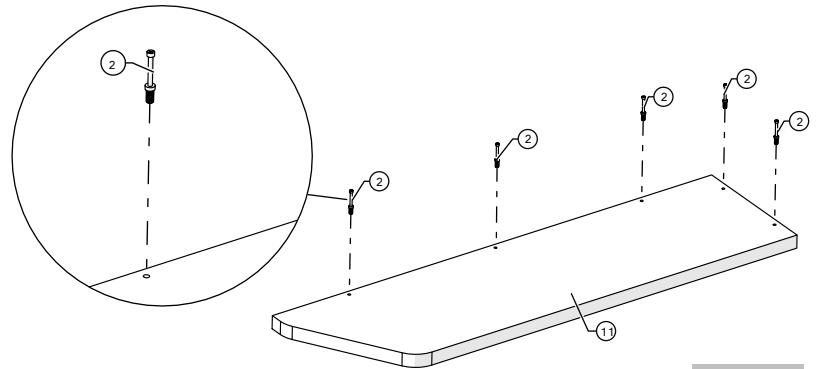


Figure 19

Continued on the next page >>

- ① WORKSURFACE W/ ADA (LH SHOWN)
- ② COMBI DOWEL
- ④ MODESTY
- ⑤ GABLE LH
- ⑥ GABLE RH
- ⑧ ANGLED RECEPTION COUNTERTOP MODESTY
- ⑨ RECEPTION COUNTERTOP GABLE
- ⑩ ANGLED RECEPTION COUNTERTOP GABLE
- ⑪ COUNTERTOP

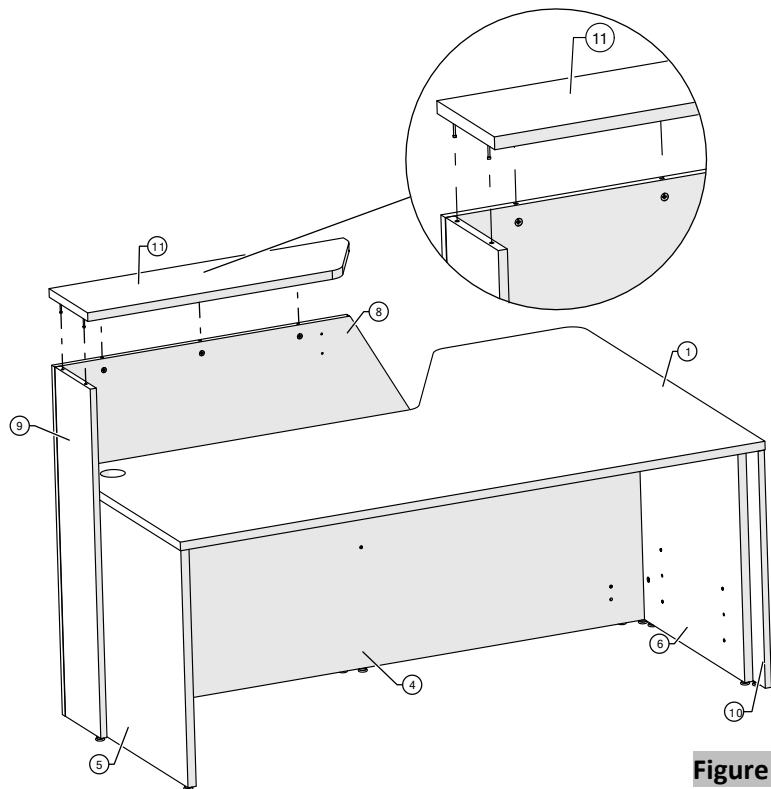
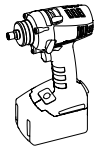

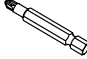
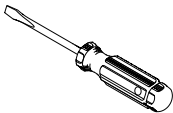
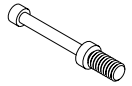


Figure 20

Tools & Hardware Needed

				8540-1278 
Drill	Robertson #2 Long Bit	Phillips Bit	Flat Screw Driver	Combi Dowel, 8mm x 34mm

Karibu Reception Station - Straight

24. Turn the Cams using a screwdriver in a clockwise direction to lock the countertop, angled reception countertop gable, and angled reception countertop modesty together (Figure 21).

25. Insert the grommet into the grommet hole (Figure 22).

26. Stick the fastcaps onto all visible holes, screws, and Cams (Figure 22A).

Continued on the next page >>

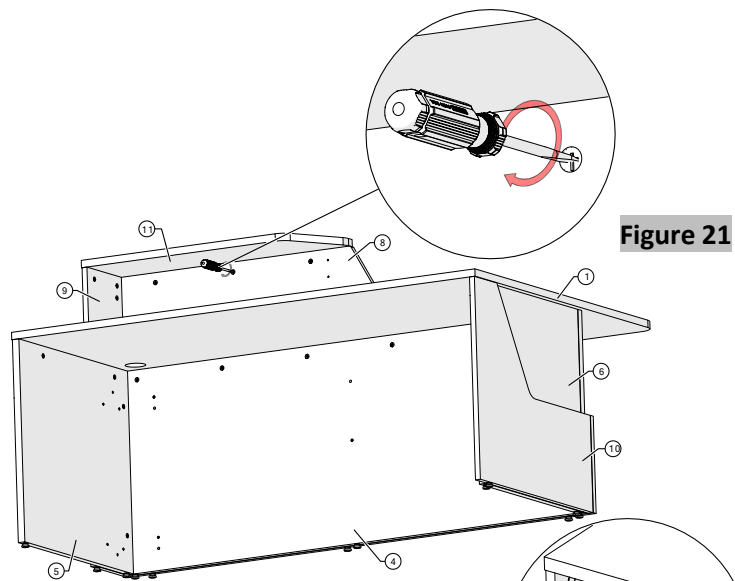


Figure 21

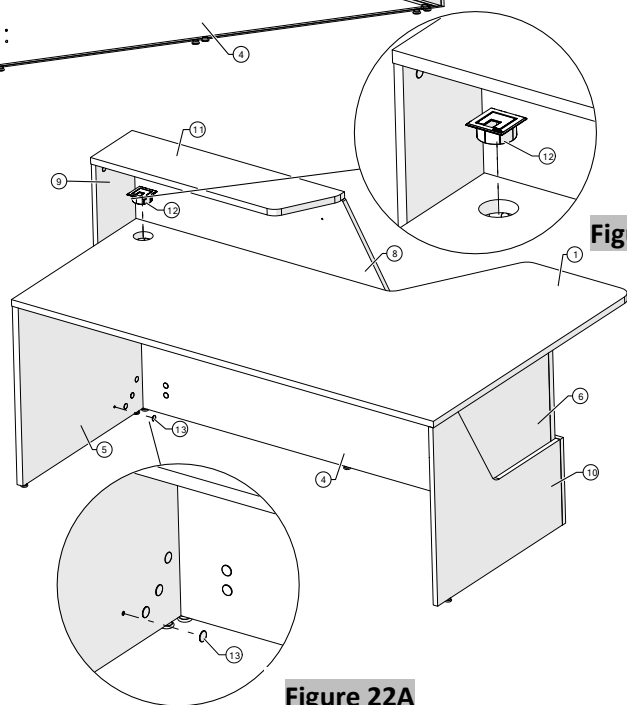



Figure 22

- ① WORKSURFACE W/ ADA (LH SHOWN)
- ④ MODESTY
- ⑤ GABLE LH
- ⑥ GABLE RH
- ⑧ ANGLED RECEPTION COUNTERTOP MODESTY
- ⑨ RECEPTION COUNTERTOP GABLE
- ⑩ ANGLED RECEPTION COUNTERTOP GABLE
- ⑪ COUNTERTOP
- ⑫ GROMMET

Figure 22A

Tools & Hardware Needed

8544-XXXX 				
Fastcap				

Karibu Reception Station - Straight

27. Align holes in the countertop bracket to pre-drilled holes of the angled reception countertop modesty; screw two #10 x 11/16" Pan Head Screws into the pre-drilled holes (Figure 23).

28. Securely fasten the countertop bracket using #10 x 11/16" Pan Head Screws.

29. Install the cantilever support at the mid-span of the worksurface using #10 x 11/16" Pan Head Screws (Figure 23A).

Note: The cantilever support will be on 84"–96" wide units, not 72" wide.

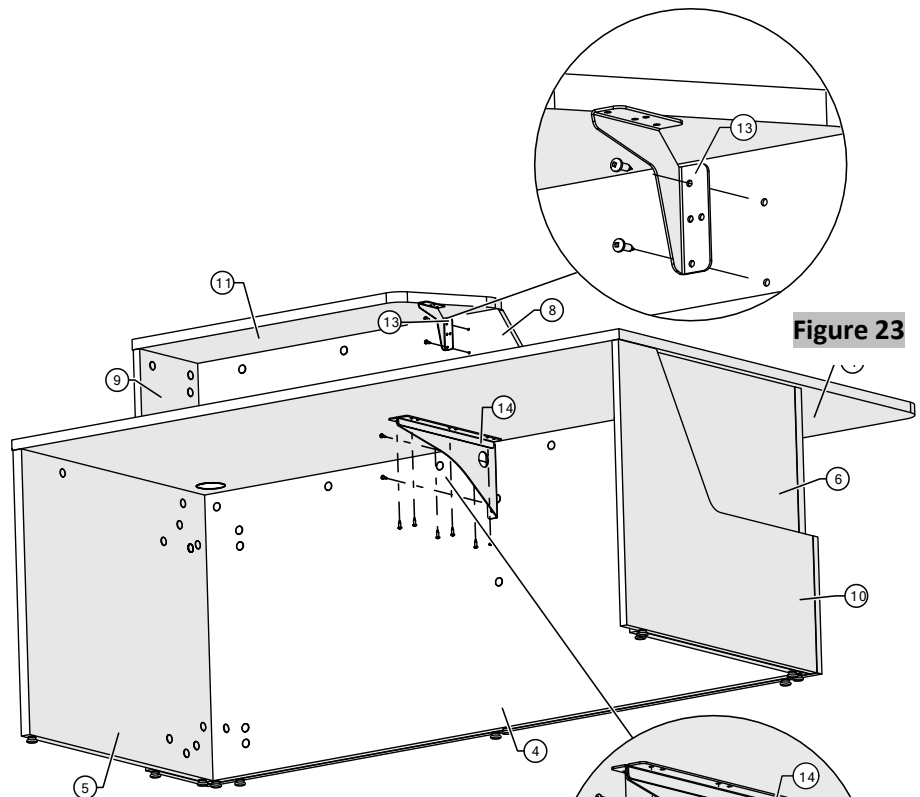


Figure 23

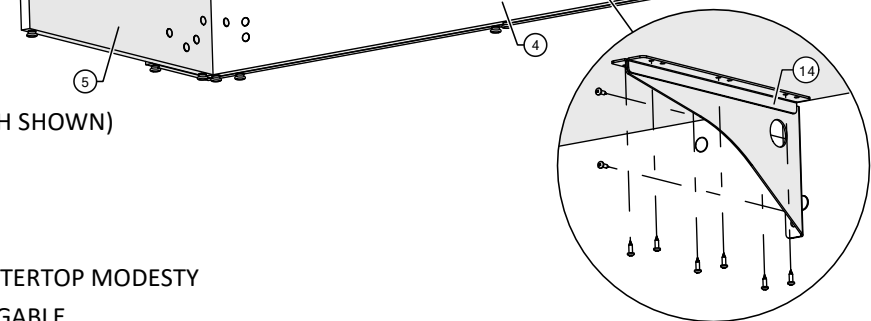
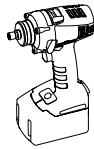

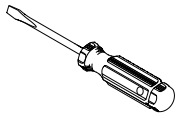



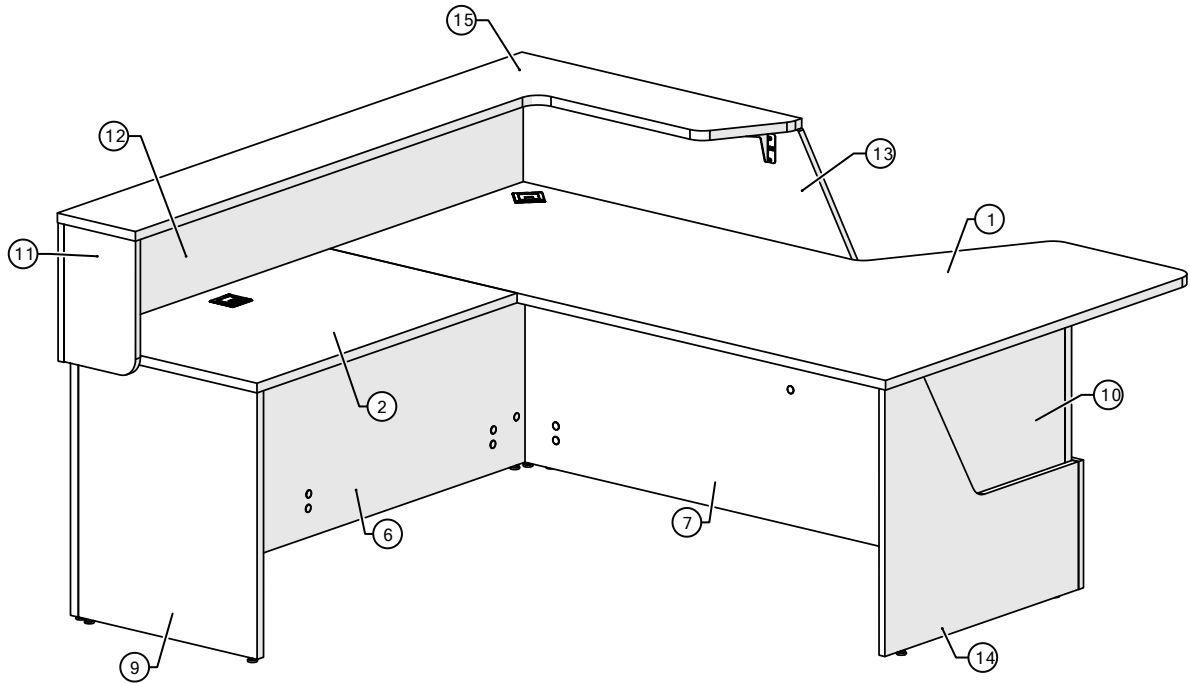
Figure 23A

- ① WORKSURFACE W/ ADA (LH SHOWN)
- ④ MODESTY
- ⑤ GABLE LH
- ⑥ GABLE RH
- ⑧ ANGLED RECEPTION COUNTERTOP MODESTY
- ⑨ RECEPTION COUNTERTOP GABLE
- ⑩ ANGLED RECEPTION COUNTERTOP GABLE
- ⑪ COUNTERTOP
- ⑫ GROMMET
- ⑬ COUNTERTOP BRACKET
- ⑭ CANTILEVER SUPPORT

Tools & Hardware Needed

			8540-0545 	
Drill	Robertson #2 Long Bit	Flat Screw Driver	#10 x 11/16", Pan Head Screw	

Karibu Reception Station - L-shaped



- ① WORKSURFACE W/ ADA (LH SHOWN)
- ② WORKSURFACE RETURN
- ⑥ MODESTY LH
- ⑦ MODESTY RH
- ⑨ GABLE LH
- ⑩ GABLE RH
- ⑪ RECEPTION COUNTERTOP SIDE
- ⑫ ANGLED RECEPTION COUNTERTOP MODESTY RETURN
- ⑬ ANGLED RECEPTION COUNTERTOP MODESTY FRONT
- ⑭ ANGLED RECEPTION COUNTERTOP GABLE
- ⑮ COUNTERTOP

Karibu Reception Station - L-shaped

NOTE: A minimum of two people are required to perform this installation.

1. Place the worksurfaces face down on a clean solid surface or floor with the underside facing up (Figure 1).
2. Screw in combi dowels into the pre-drilled 5 mm holes of the worksurfaces (Figure 2).

Continued on the next page >>

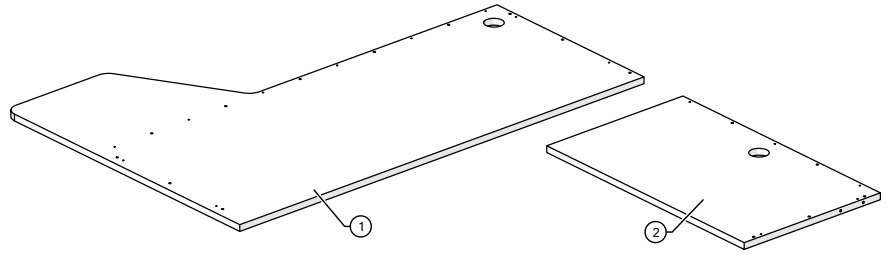
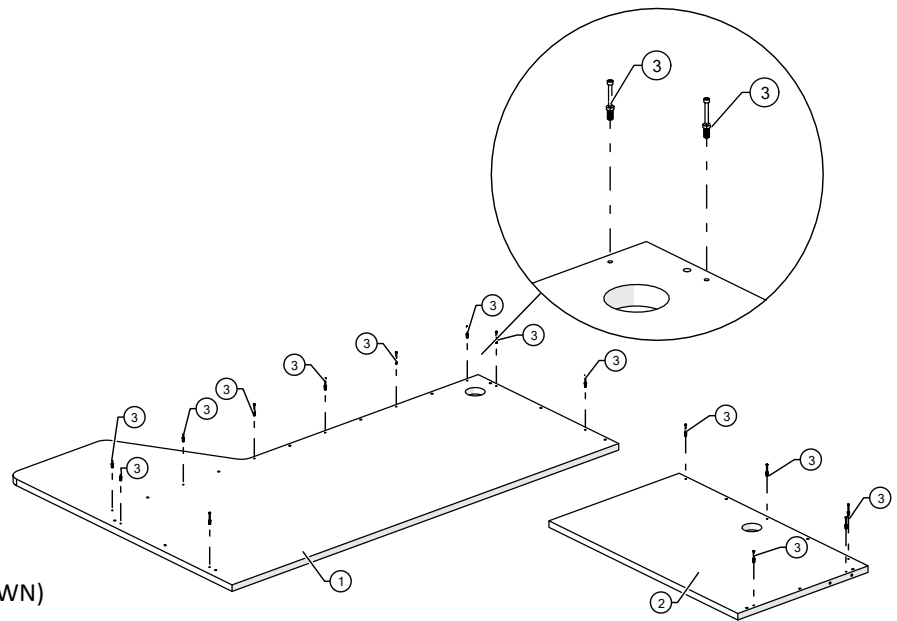


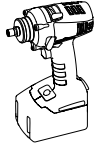

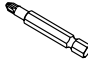
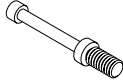
Figure 1



- ① WORKSURFACE W/ ADA (LH SHOWN)
- ② WORKSURFACE RETURN
- ③ COMBI DOWEL

Figure 2

Tools & Hardware Needed

			8540-1278 	
Drill	Robertson #2 Long Bit	Phillips Bit	Combi Dowel, 8mm x 34mm	

Karibu Reception Station - L-shaped

3. Push the wooden dowels into the pre-drilled 8 mm holes of the worksurfaces and then lightly tap with a rubber mallet to hold them firmly (Figure 3).
4. Position and align worksurface return to the worksurface with ADA; use #10 x 1" Pan Head Screws to attach mending plate to worksurfaces (Figure 4).

Continued on the next page >>

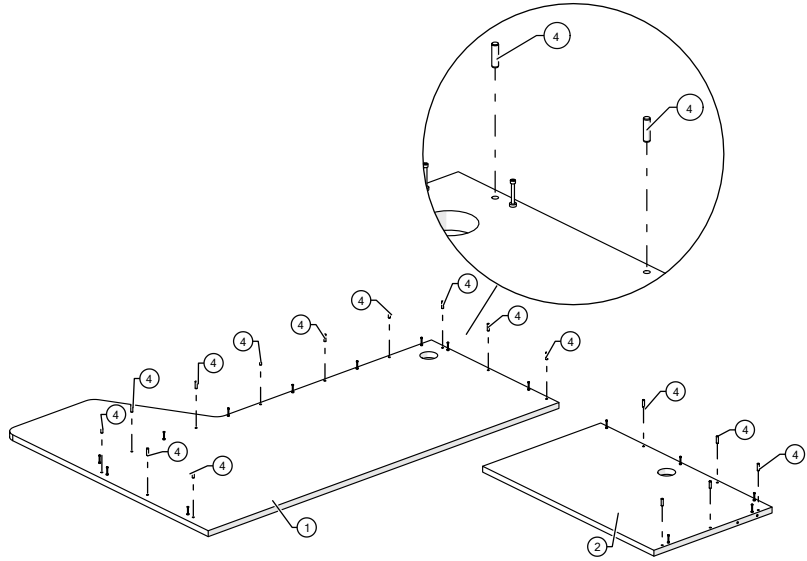


Figure 3

- 1 WORKSURFACE W/ ADA (LH SHOWN)
- 2 WORKSURFACE RETURN
- 4 WOODEN DOWEL
- 5 MENDING PLATE

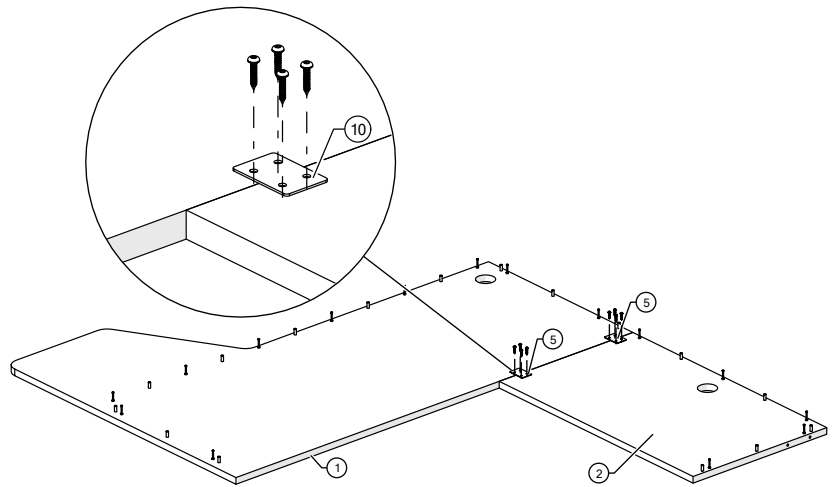


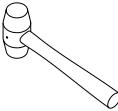

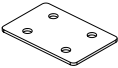



Figure 4

Tools & Hardware Needed

			8540-0770 	MENDPLATE-BLK 
Drill	Robertson #2 Long Bit	Rubber Mallet	Wooden Dowel, 8mm Dia. x30mm L	Mending Plate
8540-0789 				
#10 X 1" Pan Head Screw, RB2, Black				

Karibu Reception Station - L-shaped

5. Screw in combi dowels into the pre-drilled 5 mm holes of the modesty LH and RH (Figure 5).
6. Push the wooden dowels into the pre-drilled 8 mm holes of the modesty LH, modesty RH, and gable RH, and then lightly tap with a rubber mallet to hold them firmly (Figure 6).

Continued on the next page >>

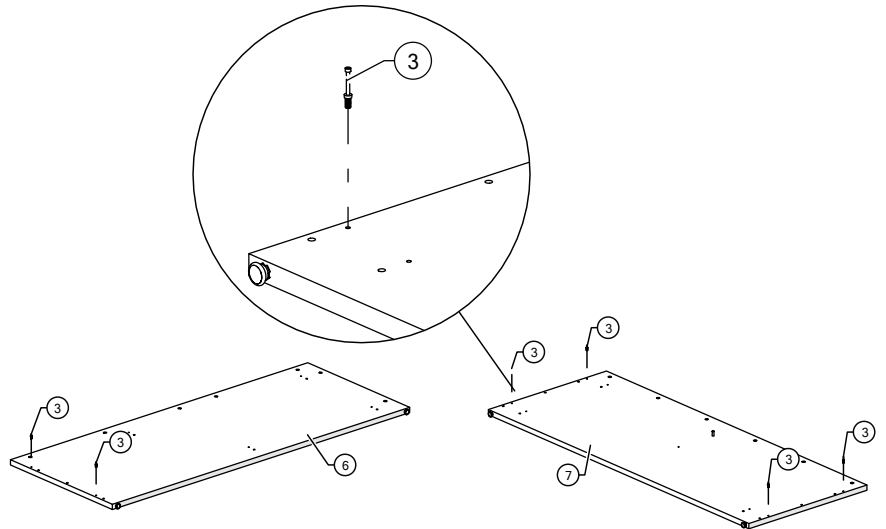


Figure 5

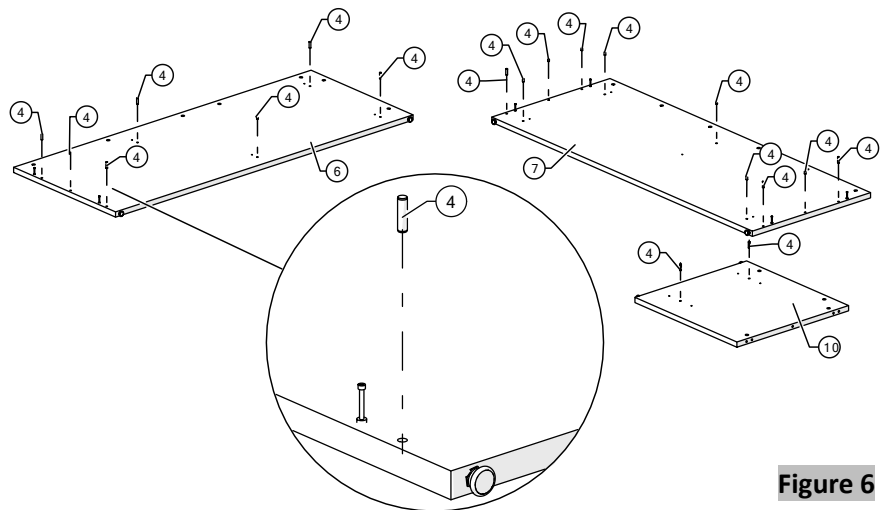
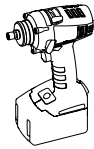

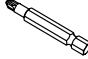
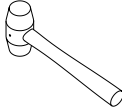
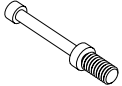



Figure 6

- ③ COMBI DOWEL
- ④ WOODEN DOWEL
- ⑥ MODESTY LH
- ⑦ MODESTY RH
- ⑩ GABLE RH

Tools & Hardware Needed

				8540-1278 
Drill	Robertson #2 Long Bit	Phillips Bit	Rubber Mallet	Combi Dowel, 8mm x 34mm
8540-0770 				
Wooden Dowel, 8mm Dia. x30mm L				

Karibu Reception Station - L-shaped

7. Place Cams into the holes of the modesty LH, modesty RH, gable LH, and gable RH; make sure that the arrow on the face of the connector points toward the laminate board (Figure 7).
8. Connect the modesty RH to modesty LH and press tightly together by inserting the combi dowels and wooden dowels into the side holes of the modesty LH (Figure 8).

Continued on the next page >>

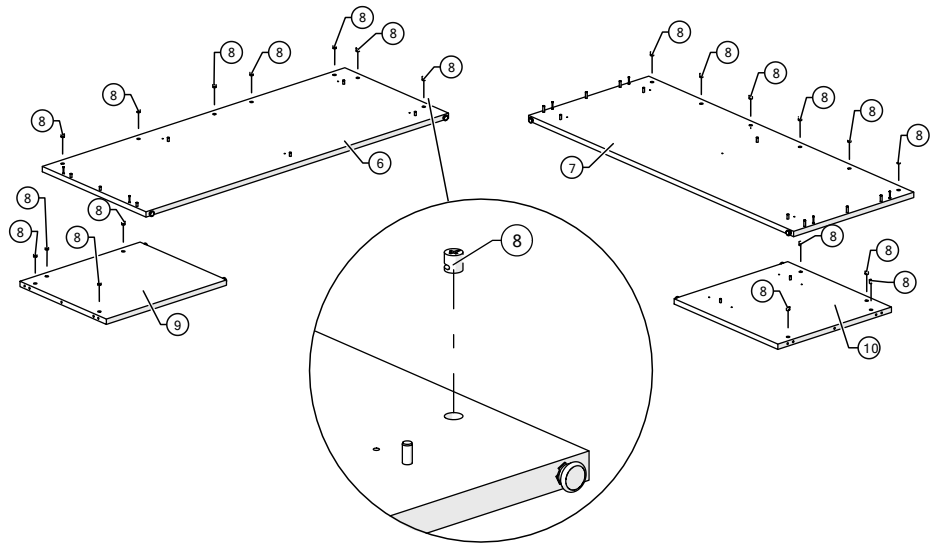


Figure 7

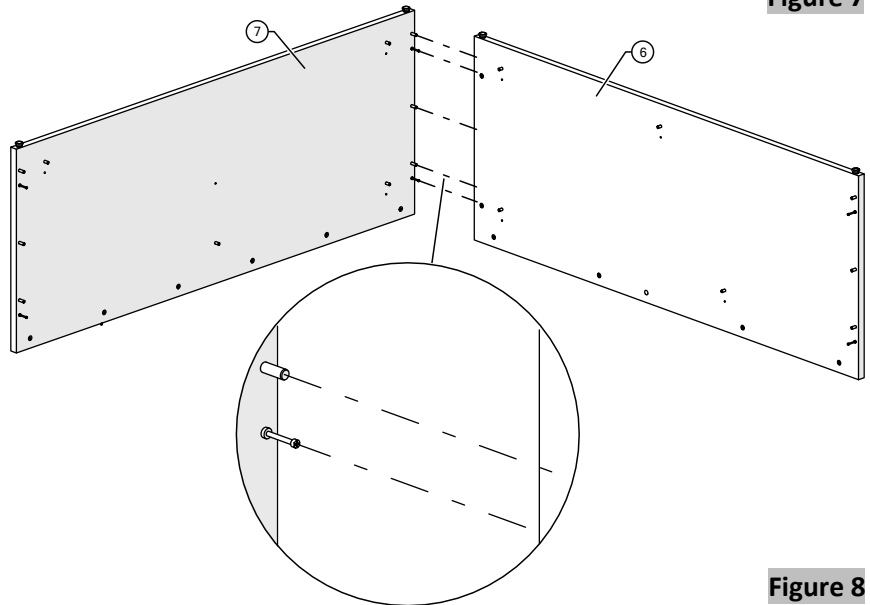
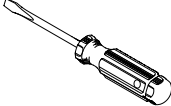



Figure 8

- ⑥ MODESTY LH
- ⑦ MODESTY RH
- ⑧ CAM LOCK CONNECTOR
- ⑨ GABLE LH
- ⑩ GABLE RH

Tools & Hardware Needed

	8540-1366 			
Flat Screw Driver	Cam			

Karibu Reception Station - L-shaped

9. Turn the Cams using a screwdriver in a clockwise direction to smoothly lock the modesty LH and modesty RH together (Figure 9).

10. Connect the gable RH to modesty RH and press tightly together by inserting the combi dowels and wooden dowels into the side holes of the gable RH (Figure 10).

11. Connect the gable LH to modesty LH and press tightly together by inserting the combi dowels and wooden dowels into the side holes of the gable LH (Figure 10A).

Continued on the next page >>

- ⑥ MODESTY LH
- ⑦ MODESTY RH
- ⑨ GABLE LH
- ⑩ GABLE RH

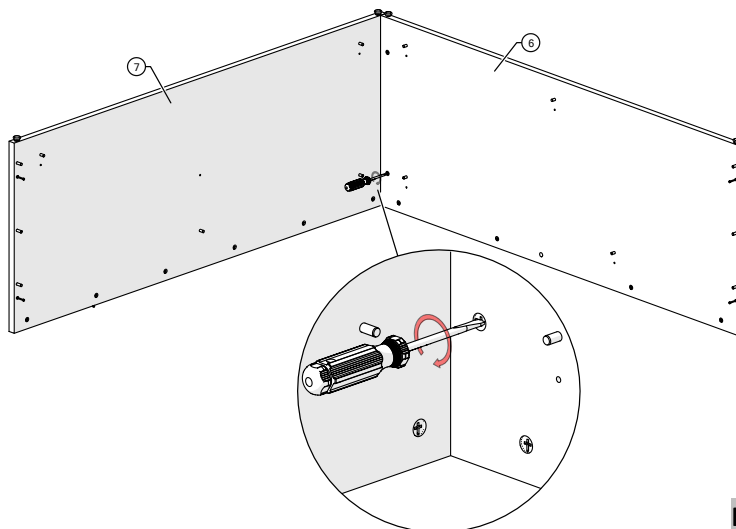


Figure 9

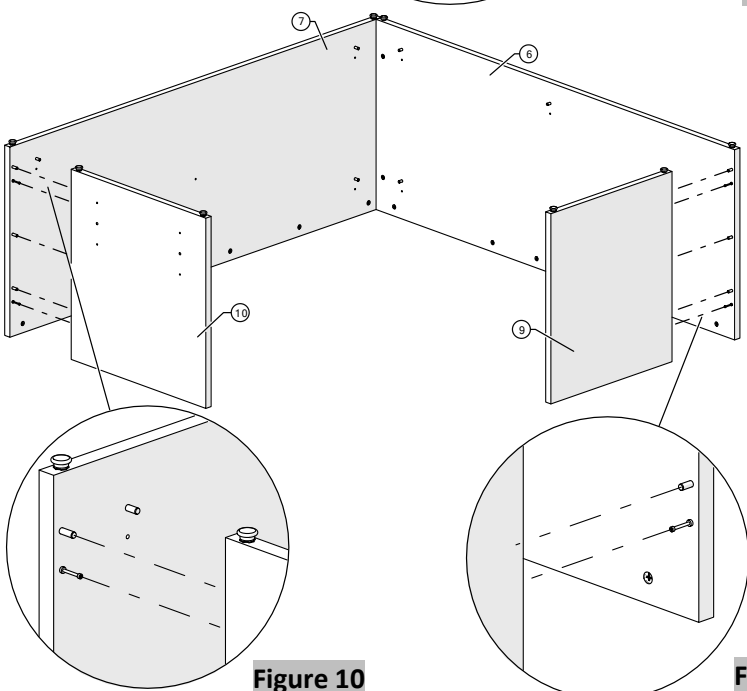
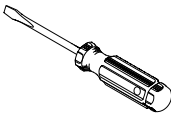



Figure 10

Figure 10 A

Tools & Hardware Needed

	8540-1366 			
Flat Screw Driver	CAM Lock Connector			

Karibu Reception Station - L-shaped

12. Turn the Cams using a screwdriver in a clockwise direction to smoothly lock the modesty LH, modesty RH, gable LH, and gable RH together (Figure 11).

13. Connect the assembled unit (gable LH, gable RH, modesty LH, and modesty RH) to the worksurfaces, and then press tightly together by inserting the combi dowels and wooden dowels into the holes of the assembled unit (Figure 12).

Continued on the next page >>

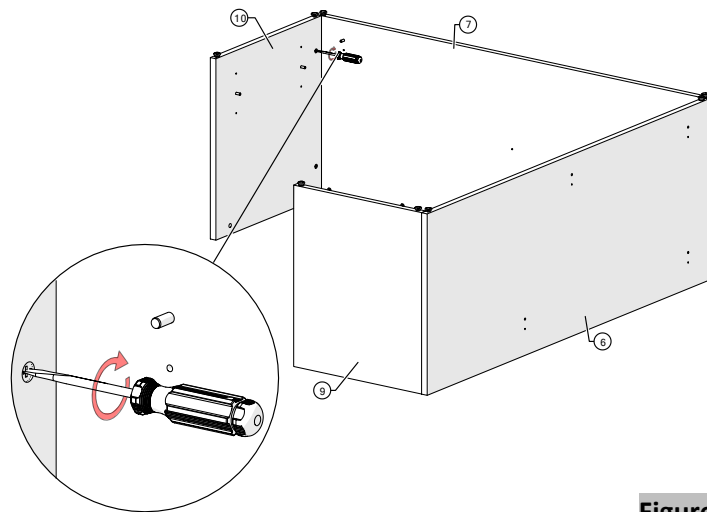
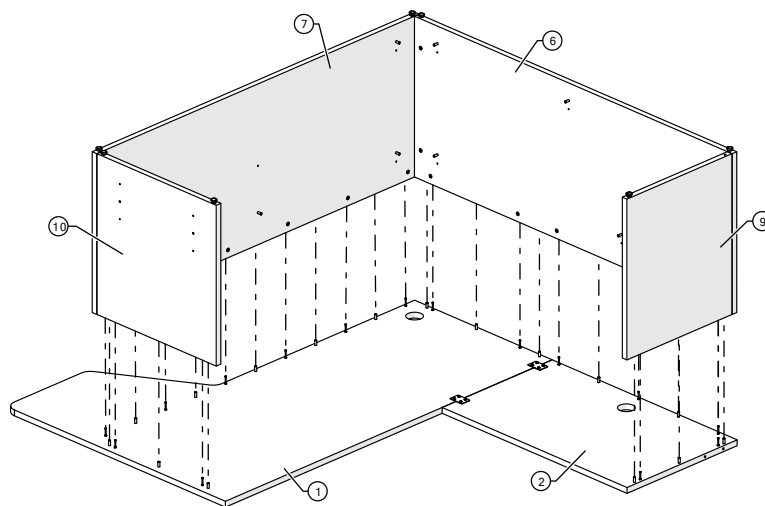


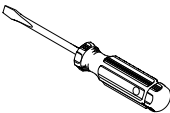
Figure 11



- ① WORKSURFACE W/ ADA (LH SHOWN)
- ② WORKSURFACE RETURN
- ⑥ MODESTY LH
- ⑦ MODESTY RH
- ⑨ GABLE LH
- ⑩ GABLE RH

Figure 12

Tools & Hardware Needed

				
Flat Screw Driver				

Karibu Reception Station - L-shaped

14. Turn the Cams using a screwdriver in a clockwise direction to smoothly lock the assembled unit, and worksurfaces together (Figure 13).

15. Flip the assembled desk upright position; level and adjust the glides, if necessary (Figure 14).

Continued on the next page >>

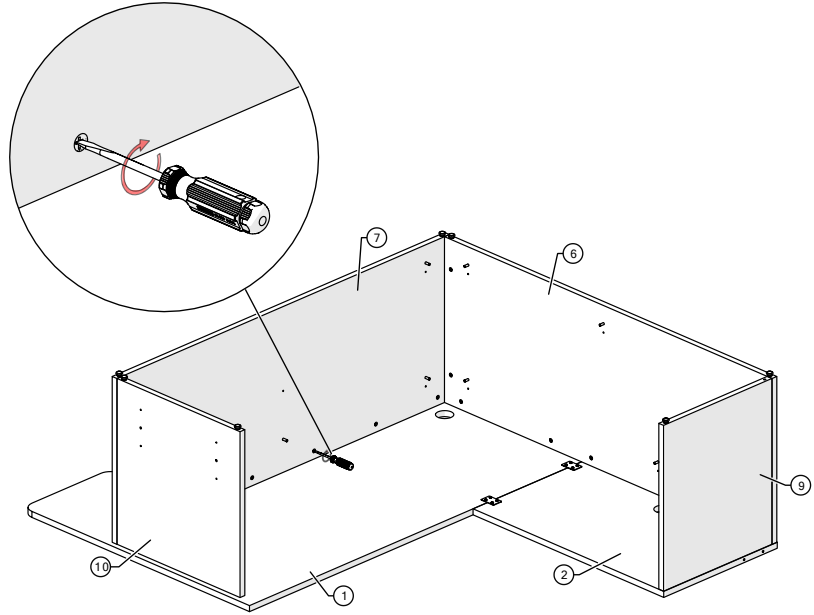


Figure 13

- ① WORKSURFACE W/ ADA (LH SHOWN)
- ② WORKSURFACE RETURN
- ⑥ MODESTY LH
- ⑦ MODESTY RH
- ⑨ GABLE LH
- ⑩ GABLE RH

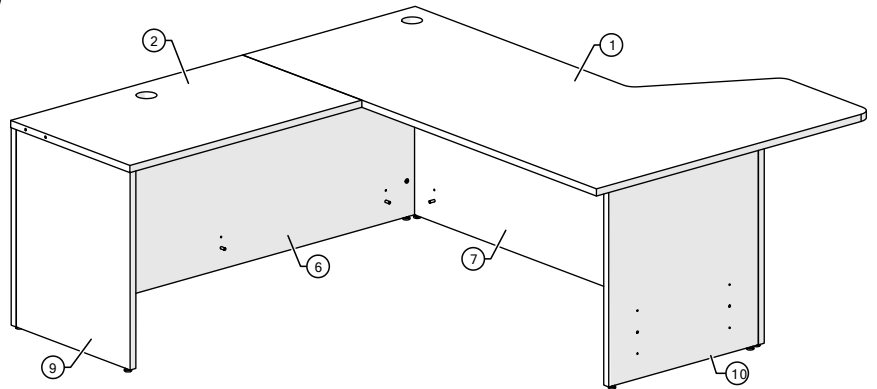
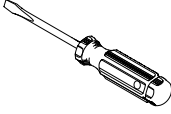
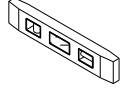


Figure 14

Tools & Hardware Needed

				
Flat Screw Driver	Torpedo Level			

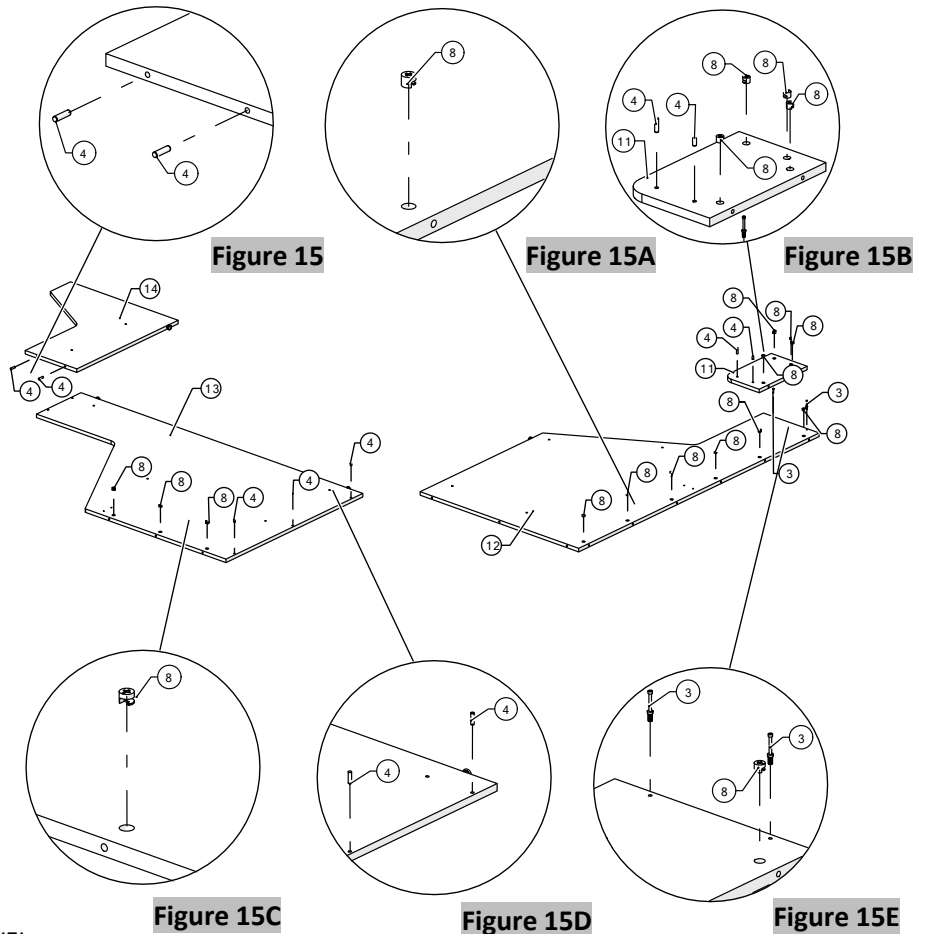
Karibu Reception Station - L-shaped

16. Place Cams into the holes of the angled reception countertop modesty return, angled reception countertop modesty front, and reception countertop side; make sure that the arrow on the face of the connector points toward the laminate board (Figures 15A, 15B, 15C and 15E).

17. Push the wooden dowels into the pre-drilled 8 mm holes of the angled reception countertop modesty front, angled reception countertop gable, and reception countertop side, and then lightly tap with a rubber mallet to hold them firmly (Figures 15, 15B, and 15D).

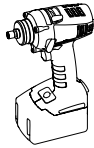
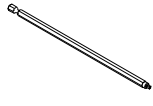
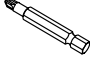
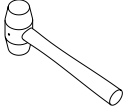

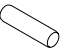
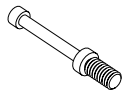
18. Screw in combi dowels into the pre-drilled 5 mm holes of the angled reception countertop modesty return (Figure 15E).

Continued on the next page >>



- ③ COMBI DOWEL
- ④ WOODEN DOWEL
- ⑧ CAM
- ⑪ RECEPTION COUNTERTOP SIDE
- ⑫ ANGLED RECEPTION COUNTERTOP MODESTY RETURN
- ⑬ ANGLED RECEPTION COUNTERTOP MODESTY FRONT
- ⑭ ANGLED RECEPTION COUNTERTOP GABLE

Tools & Hardware Needed

				8540-1366 
Drill	Robertson #2 Long Bit	Phillips Bit	Rubber Mallet	Cam
8540-0770 	8540-1278 			
Wooden Dowel, 8mm Dia. x30mm L	Combi Dowel, 8mm x 34mm			

Karibu Reception Station - L-shaped

19. Connect the reception countertop side to the angled reception countertop modesty return and press tightly together by inserting the combi dowels into the side holes of the reception countertop side (Figure 16).

20. Turn the Cams using a screwdriver in a clockwise direction to lock the reception countertop side and angled reception countertop modesty return together (Figure 17).

Continued on the next page >>

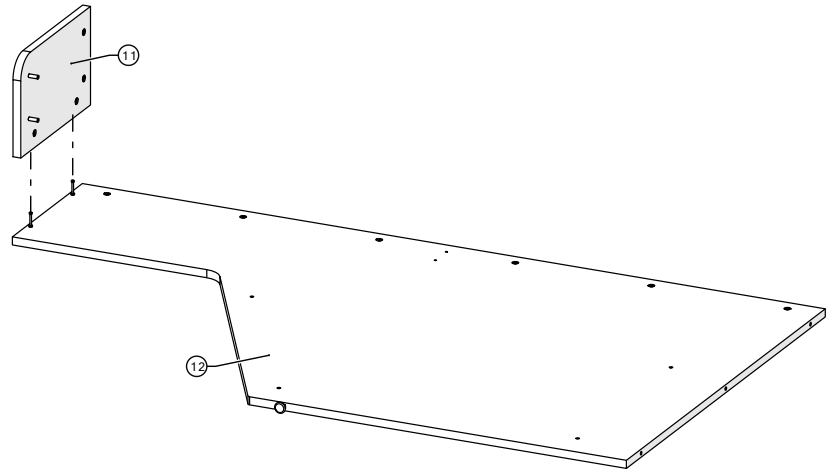
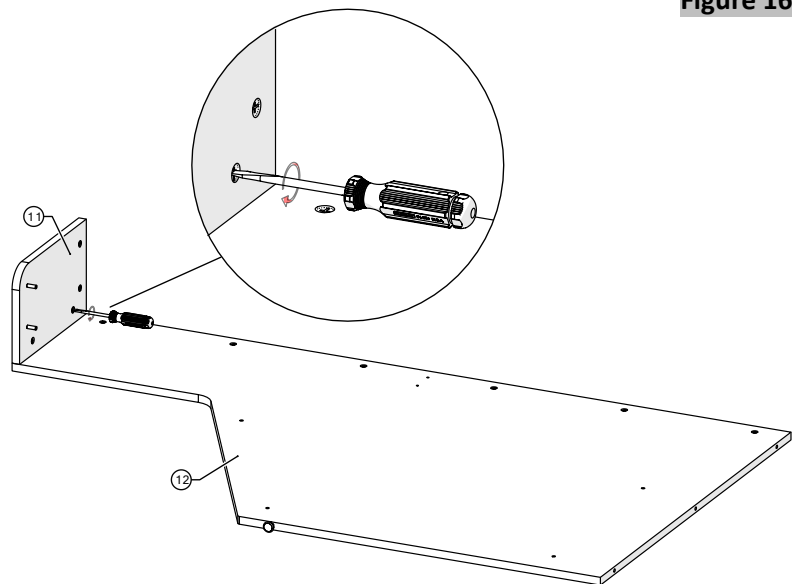


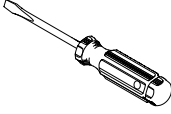
Figure 16



- ①① RECEPTION COUNTERTOP SIDE
- ①② ANGLED RECEPTION COUNTERTOP MODESTY RETURN

Figure 17

Tools & Hardware Needed

				
Flat Screw Driver				

Karibu Reception Station - L-shaped

21. Position the assembled unit (angled reception countertop modesty return, and reception countertop side) by inserting the wooden dowels into the side holes of the worksurface return; align the assembled unit with the desk (Figure 18).

22. Push the wooden dowels in with a wooden dowel and rubber mallet to hold the assembled unit (Figure 19).

Continued on the next page >>

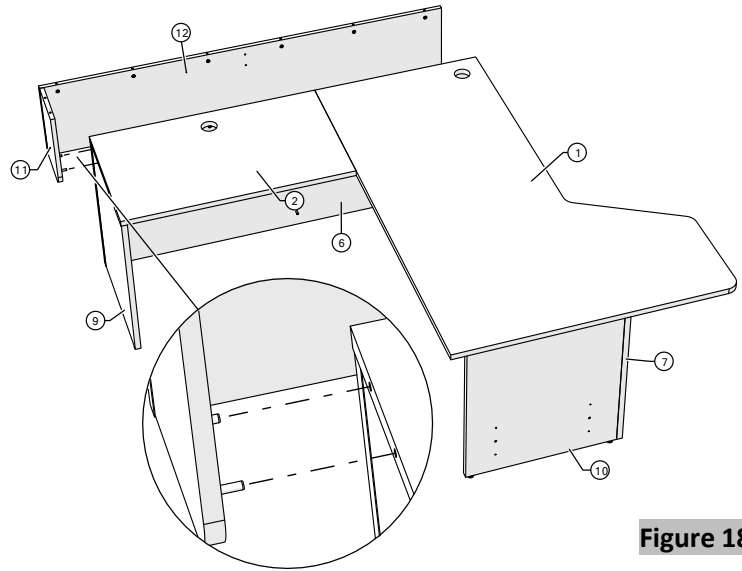


Figure 18

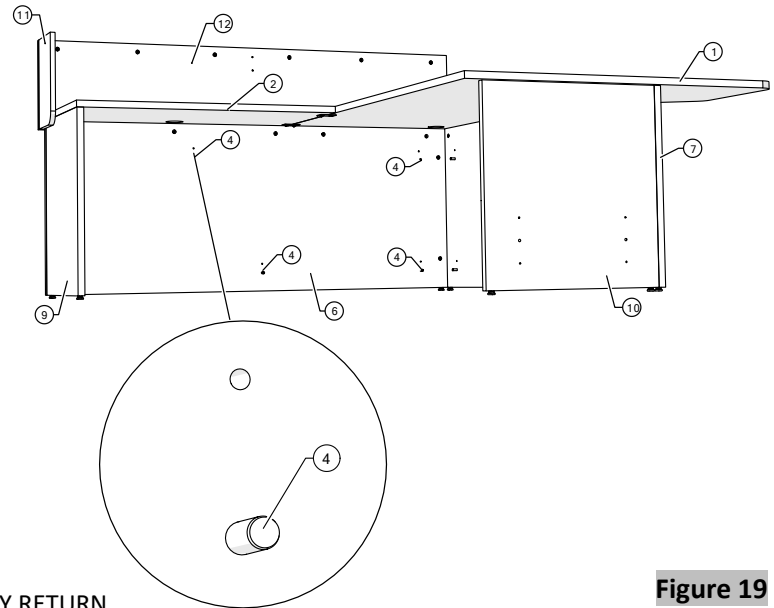
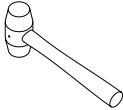



Figure 19

- ① WORKSURFACE W/ ADA (LH SHOWN)
- ② WORKSURFACE RETURN
- ④ WOODEN DOWEL
- ⑥ MODESTY LH
- ⑦ MODESTY RH
- ⑨ GABLE LH
- ⑩ GABLE RH
- ⑪ RECEPTION COUNTERTOP SIDE
- ⑫ ANGLED RECEPTION COUNTERTOP MODESTY RETURN

Tools & Hardware Needed

	8540-0770			
Rubber Mallet	Wooden Dowel, 8mm Dia. x30mm L			

Karibu Reception Station - L-shaped

23. Screw in #8 x 1-1/2" Flat Head Screws into the pre-drilled holes to fasten the angled reception countertop modesty return (Figure 20).

24. Connect the angled reception countertop modesty front to the angled reception countertop modesty return and press tightly together by inserting wooden dowels into the side holes of the angled reception countertop modesty return; align the assembled unit with the desk (Figure 21).

Continued on the next page >>

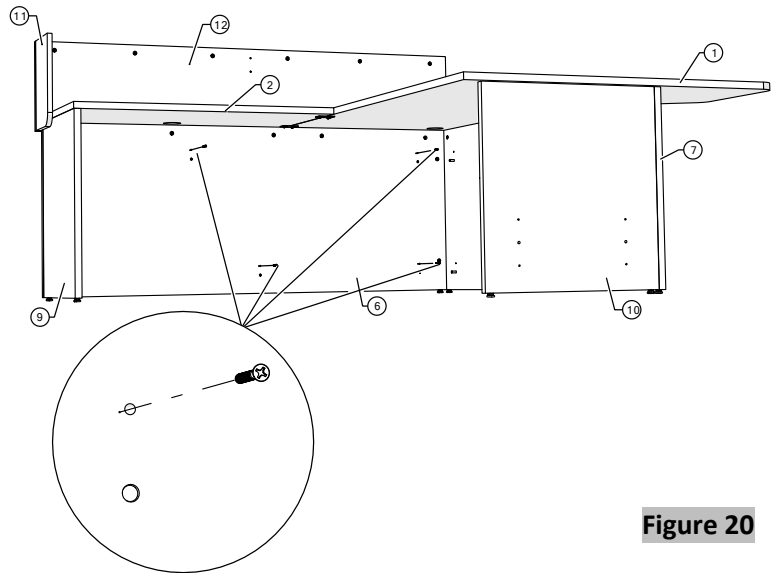


Figure 20

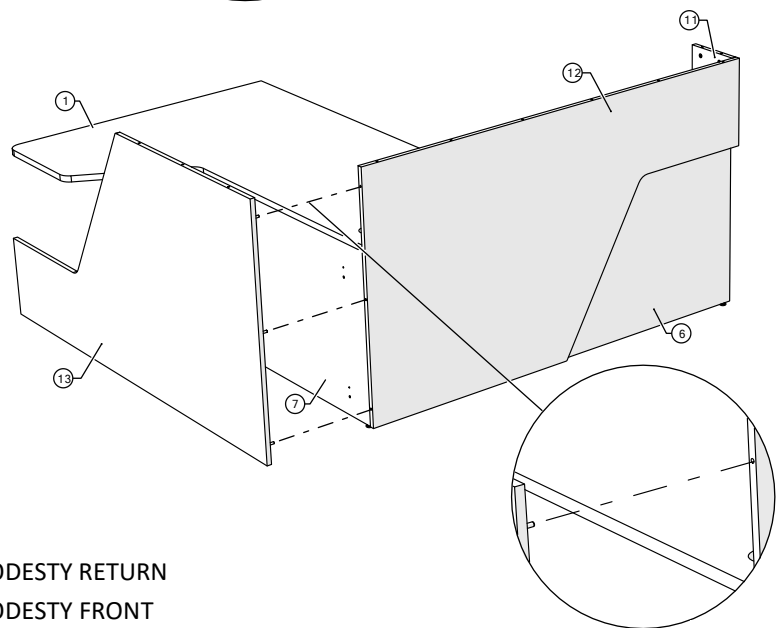
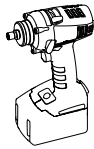
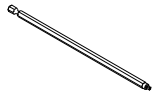
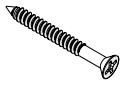


Figure 21

- ① WORKSURFACE W/ ADA (LH SHOWN)
- ② WORKSURFACE RETURN
- ④ WOODEN DOWEL
- ⑥ MODESTY LH
- ⑦ MODESTY RH
- ⑪ RECEPTION COUNTERTOP SIDE
- ⑫ ANGLED RECEPTION COUNTERTOP MODESTY RETURN
- ⑬ ANGLED RECEPTION COUNTERTOP MODESTY FRONT

Tools & Hardware needed

		8540-0591 		
Drill	Robertson #2 Long Bit	#8 x 1-1/2" Flat Head Screw		

Karibu Reception Station - L-shaped

25. Push the wooden dowels in with a wooden dowel and rubber mallet to hold the angled reception countertop modesty front (Figure 22).

26. Screw in #8 x 1-1/2" Flat Head Screws into the pre-drilled holes to fasten the angled reception countertop modesty front (Figure 23).

Continued on the next page >>

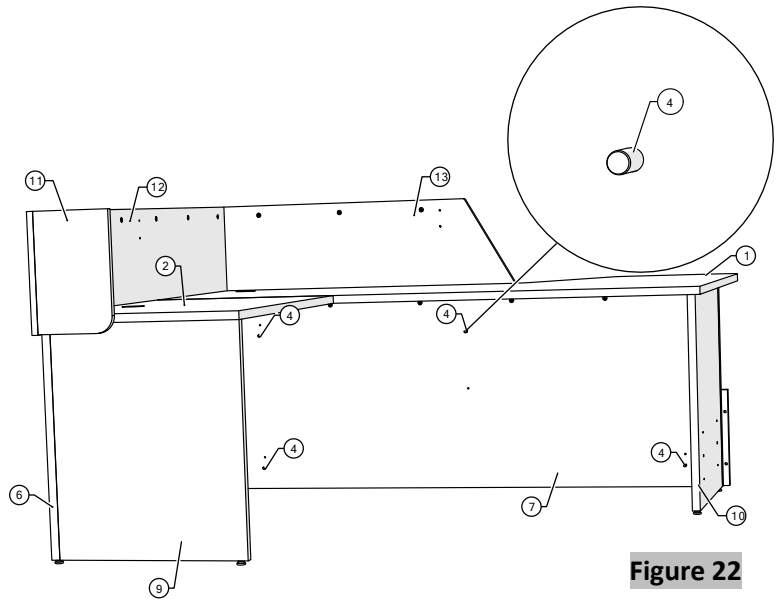


Figure 22

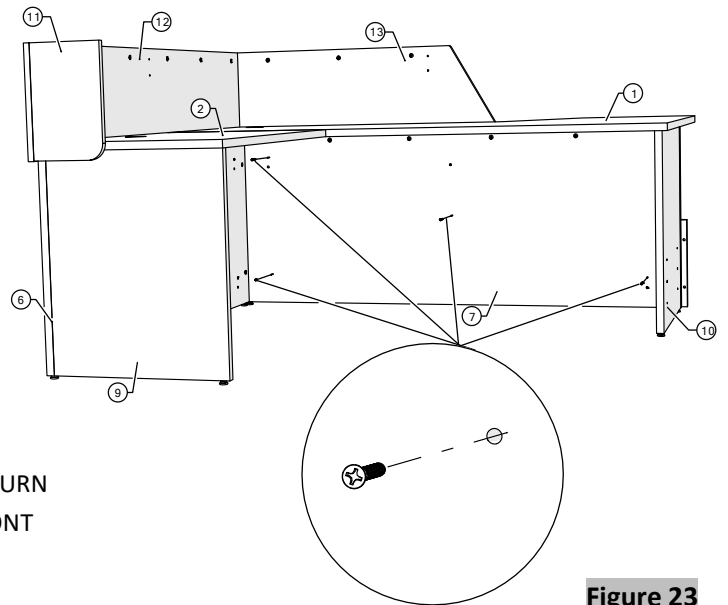

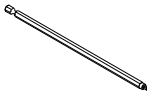
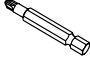
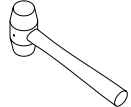

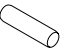


Figure 23

- ① WORKSURFACE W/ ADA (LH SHOWN)
- ② WORKSURFACE RETURN
- ④ WOODEN DOWEL
- ⑥ MODESTY LH
- ⑦ MODESTY RH
- ⑨ GABLE LH
- ⑩ GABLE RH
- ⑪ RECEPTION COUNTERTOP SIDE
- ⑫ ANGLED RECEPTION COUNTERTOP MODESTY RETURN
- ⑬ ANGLED RECEPTION COUNTERTOP MODESTY FRONT

Tools & Hardware Needed

				8540-0591 
Drill	Robertson #2 Long Bit	Phillips Bit	Rubber Mallet	#8 x 1-1/2" Flat Head Screw
8540-0770 				
Wooden Dowel, 8mm Dia. x30mm L				

Karibu Reception Station - L-shaped

27. Connect the angled reception countertop gable to the angled reception countertop modesty front and press tightly together by inserting the wooden dowels into the holes of the angled reception countertop modesty front (Figure 24).

28. Push the wooden dowels in with a wooden dowel and rubber mallet to hold the angled reception countertop gable (Figure 25).

29. Screw in #8 x 1-1/2" Flat Head Screws into the pre-drilled holes to fasten the angled reception countertop gable (Figure 25A).

Continued on the next page >>

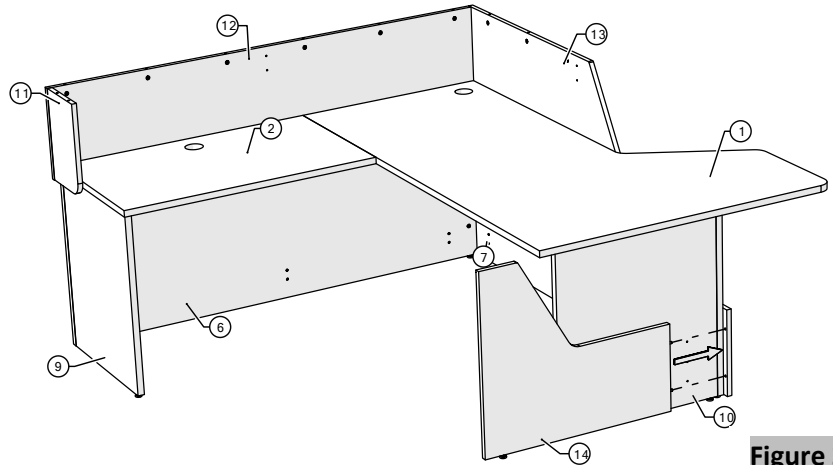


Figure 24

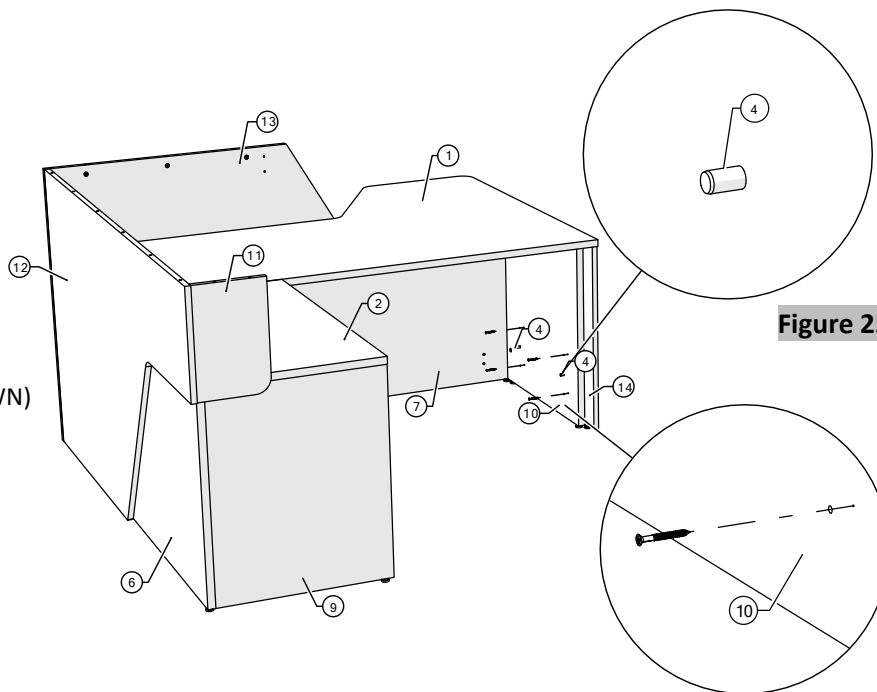
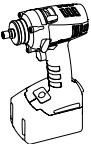

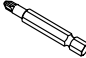
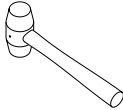




Figure 25

Figure 25A

- ① WORKSURFACE W/ ADA (LH SHOWN)
- ② WORKSURFACE RETURN
- ④ WOODEN DOWEL
- ⑥ MODESTY LH
- ⑦ MODESTY RH
- ⑨ GABLE LH
- ⑩ GABLE RH
- ⑪ RECEPTION COUNTERTOP SIDE
- ⑫ ANGLED RECEPTION COUNTERTOP MODESTY RETURN
- ⑬ ANGLED RECEPTION COUNTERTOP MODESTY FRONT

Tools & Hardware Needed

				8540-0591 
Drill	Robertson #2 Long Bit	Phillips Bit	Rubber Mallet	#8 x 1-1/2" Flat Head Screw
8540-0770 				
Wooden Dowel, 8mm Dia. x30mm L				

Karibu Reception Station - L-shaped

- 30.** Place the countertop face down on a clean solid surface or floor with the underside facing up.
- 31.** Screw in combi dowels into the pre-drilled 5 mm holes of the countertop (Figure 26).
- 32.** Connect the countertop to the angled reception countertop modesty return, angled reception countertop modesty front, and reception countertop side and press tightly together by inserting the combi dowels into the top holes (Figure 27).

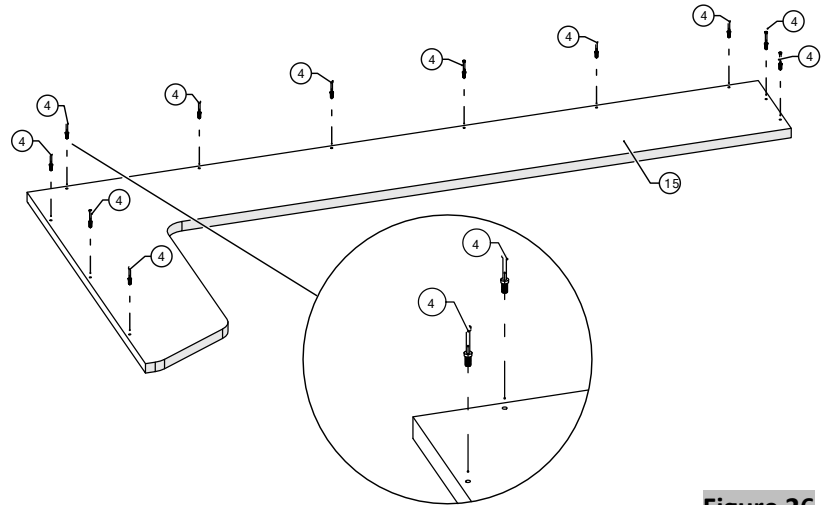


Figure 26

Continued on the next page >>

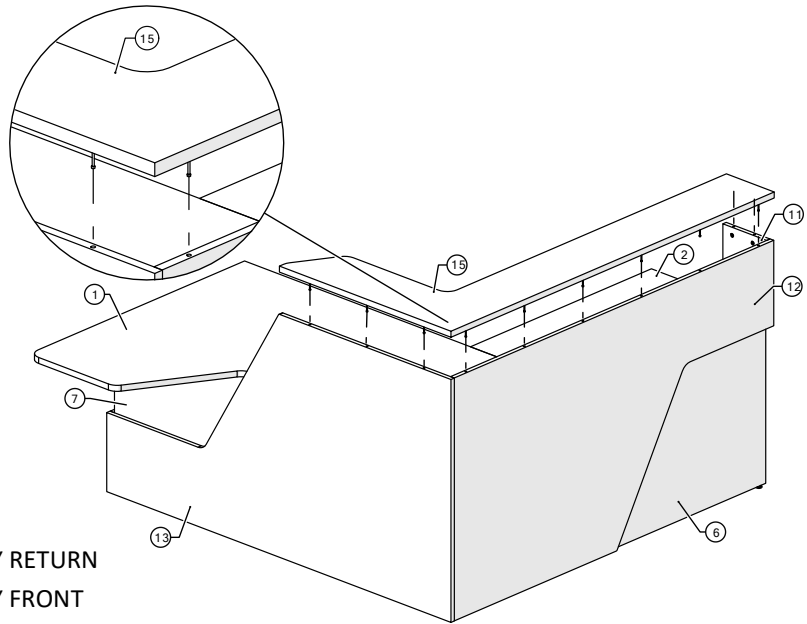
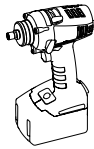


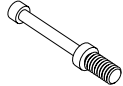


Figure 27

- ① WORKSURFACE W/ ADA (LH SHOWN)
- ② WORKSURFACE RETURN
- ④ COMBI DOWEL
- ⑥ MODESTY LH
- ⑦ MODESTY RH
- ⑪ RECEPTION COUNTERTOP SIDE
- ⑫ ANGLED RECEPTION COUNTERTOP MODESTY RETURN
- ⑬ ANGLED RECEPTION COUNTERTOP MODESTY FRONT

Tools & Hardware Needed

			8540-1278 	
Drill	Robertson #2 Long Bit	Phillips Bit	Combi Dowel, 8mm x 34mm	

Karibu Reception Station - L-shaped

33. Turn the Cams using a screwdriver in a clockwise direction to smoothly lock the countertop, angled reception countertop modesty return, angled reception countertop modesty front, and reception countertop side together (Figure 28).

34. Stick the fastcaps onto all visible holes, screws, and CAMs (Figure 29).

Continued on the next page >>

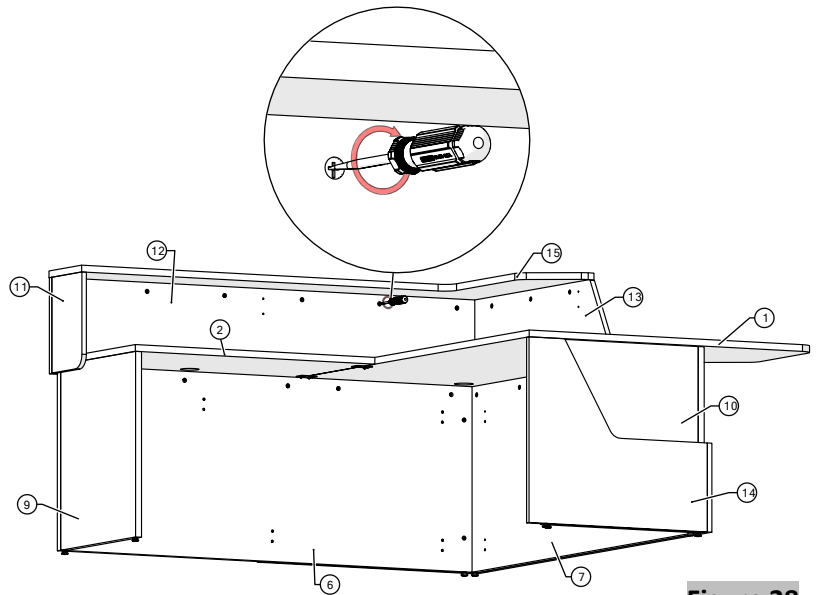


Figure 28

- ① WORKSURFACE W/ ADA (LH SHOWN)
- ② WORKSURFACE RETURN
- ⑥ MODESTY LH
- ⑦ MODESTY RH
- ⑨ GABLE LH
- ⑩ GABLE RH
- ⑪ RECEPTION COUNTERTOP SIDE
- ⑫ ANGLED RECEPTION COUNTERTOP MODESTY RETURN
- ⑬ ANGLED RECEPTION COUNTERTOP MODESTY FRONT
- ⑭ ANGLED RECEPTION COUNTERTOP GABLE
- ⑮ COUNTERTOP

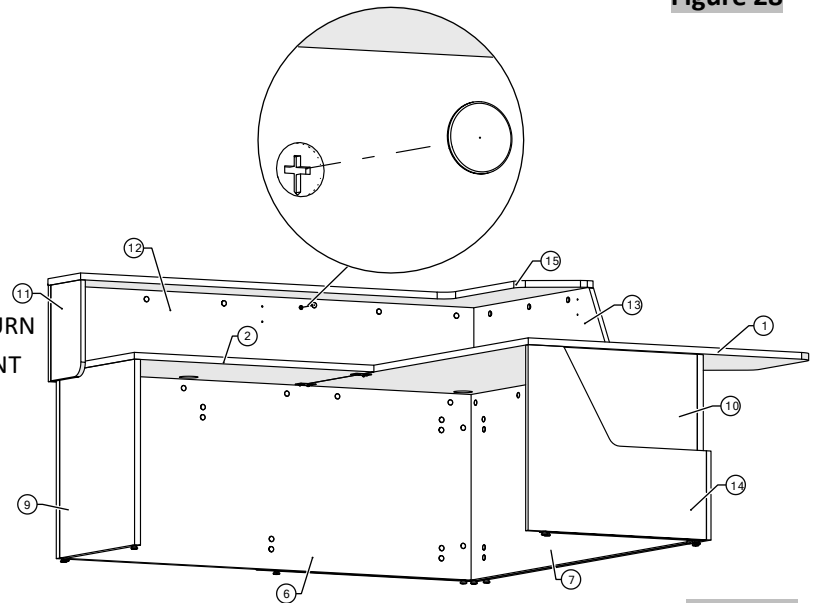
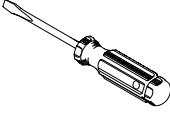



Figure 29

Tools & Hardware Needed

	8544-XXXX 			
Flat Screw Driver	Fastcap			

Karibu Reception Station - L-shaped

35. Insert the grommets into the grommet holes, (Figure 30).

36. Align holes in the countertop brackets to pre-drilled holes of the angled reception countertop modesty return and front; screw two #10 x 11/16" Pan Head Screws into the pre-drilled holes (Figure 31).

37. Securely fasten the countertop brackets using #10 x 11/16" Pan Head Screws.

38. Install the cantilever support at mid-span of the worksurface using #10 x 11/16" Pan Head Screws, (Figure 31A).
Note: The cantilever support will be on 84"-96" wide units, not 72" wide.

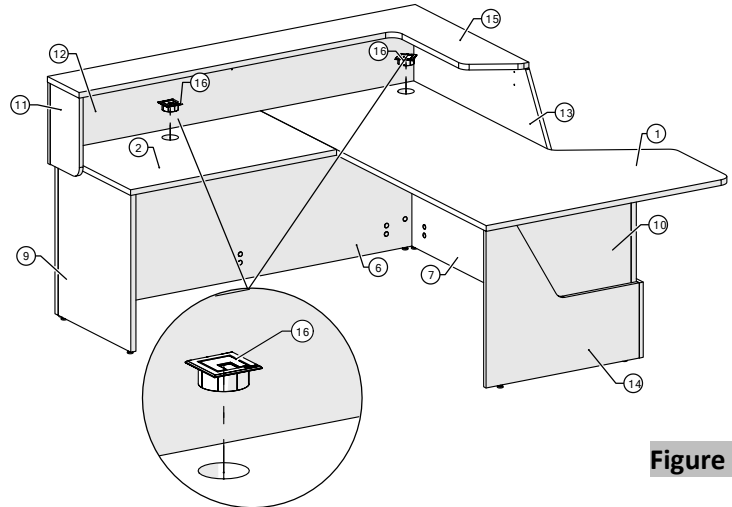


Figure 30

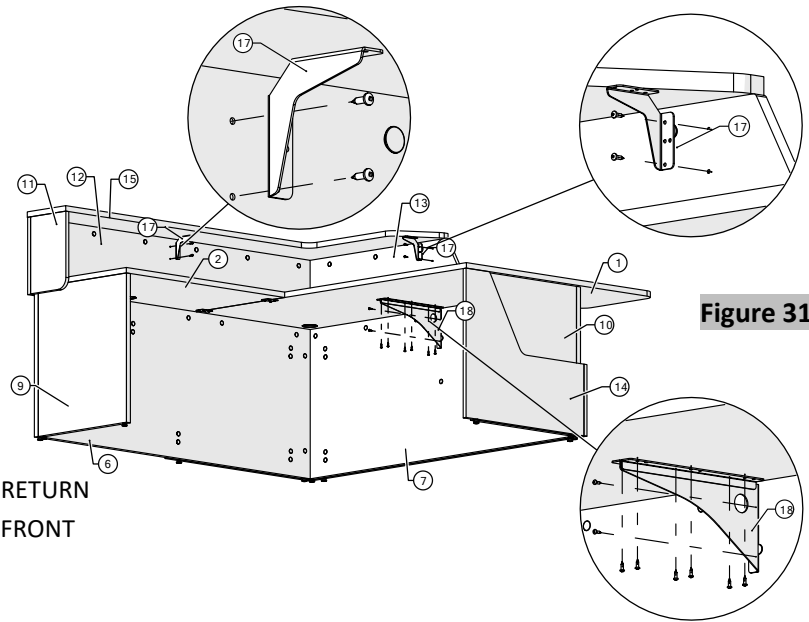
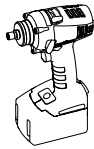
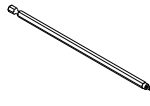



Figure 31

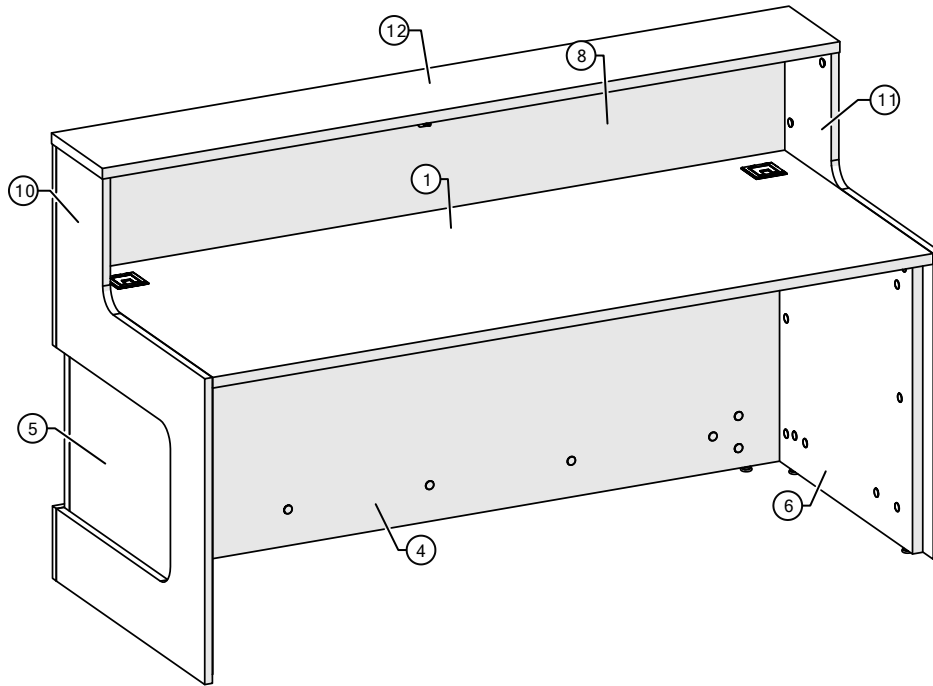
Figure 31A

- ① WORKSURFACE W/ ADA (LH SHOWN)
- ② WORKSURFACE RETURN
- ⑥ MODESTY LH
- ⑦ MODESTY RH
- ⑨ GABLE LH
- ⑩ GABLE RH
- ⑪ RECEPTION COUNTERTOP SIDE
- ⑫ ANGLED RECEPTION COUNTERTOP MODESTY RETURN
- ⑬ ANGLED RECEPTION COUNTERTOP MODESTY FRONT
- ⑭ ANGLED RECEPTION COUNTERTOP GABLE
- ⑮ COUNTERTOP
- ⑯ GROMMET
- ⑰ COUNTERTOP BRACKET
- ⑱ CANTILEVER SUPPORT

Tools & Hardware Needed

		8540-0545 		
Drill	Robertson #2 Long Bit	#10 x 11/16", Pan Head Screw		

Maeva Reception Station – Straight



- ① WORKSURFACE
- ④ MODESTY
- ⑤ GABLE LH
- ⑥ GABLE RH
- ⑧ BORDER UPPER
- ⑩ BORDER GABLE LH
- ⑪ BORDER GABLE RH
- ⑫ COUNTERTOP

Maeva Reception Station – Straight

NOTE: A minimum of two people are required to perform this installation.

- 1.** Place the worksurface face down on a clean solid surface or floor with the underside facing up (Figure 1).
- 2.** Push the wooden dowels into the pre-drilled 8 mm holes of the worksurface and then lightly tap with a rubber mallet to hold them firmly (Figure 2).
- 3.** Screw in combi dowels into the pre-drilled 5 mm holes of the worksurface, (Figure 2A).

Continued on the next page >>

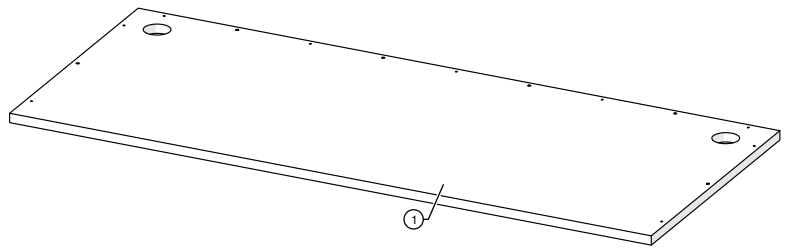
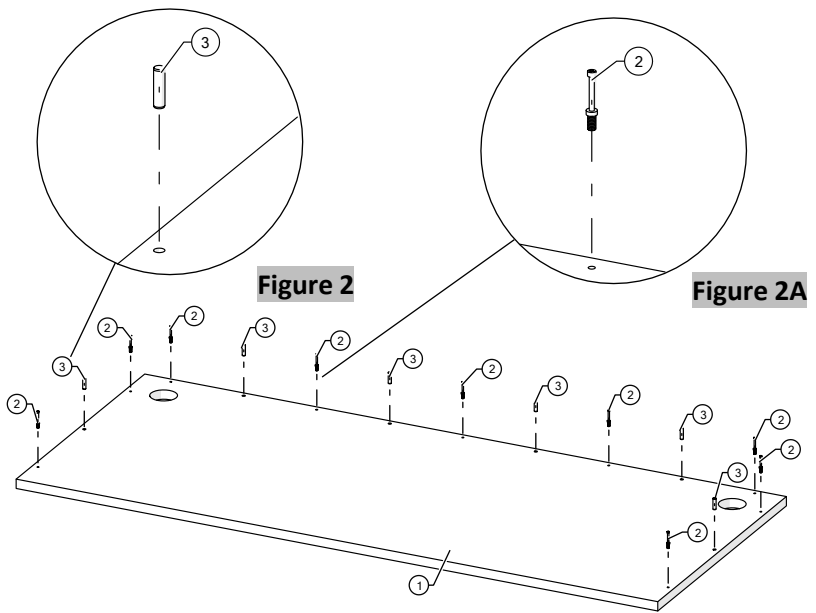
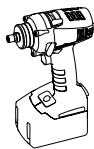

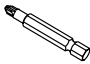
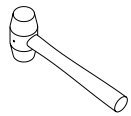
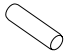
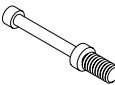


Figure 1



- ① WORKSURFACE
- ② COMBI DOWEL
- ③ WOODEN DOWEL

Tools & Hardware Needed

				8540-0770 
Drill	Robertson #2 Long Bit	Phillips Bit	Rubber Mallet	Wooden Dowel, 8mm Dia. x30mm L
8540-1278 				
Combi Dowel, 8mm x 34mm				

Maeva Reception Station – Straight

4. Screw in combi dowels into the pre-drilled 5 mm holes of the modesty, gable LH, and gable RH (Figure 3).
5. Place Cams into the holes of the modesty, gable LH, and gable RH; make sure that the arrow on the face of the connector points toward the laminate board (Figure 3A).
6. Push the wooden dowels into the pre-drilled 8 mm holes of the modesty, gable LH, and gable RH, and then lightly tap with a rubber mallet to hold them firmly (Figure 4).

Continued on the next page >>

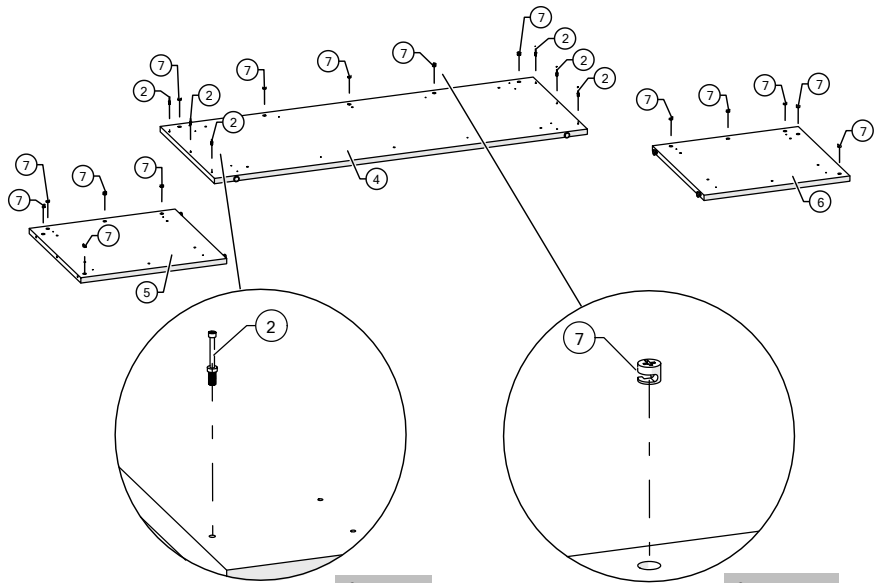


Figure 3

Figure 3A

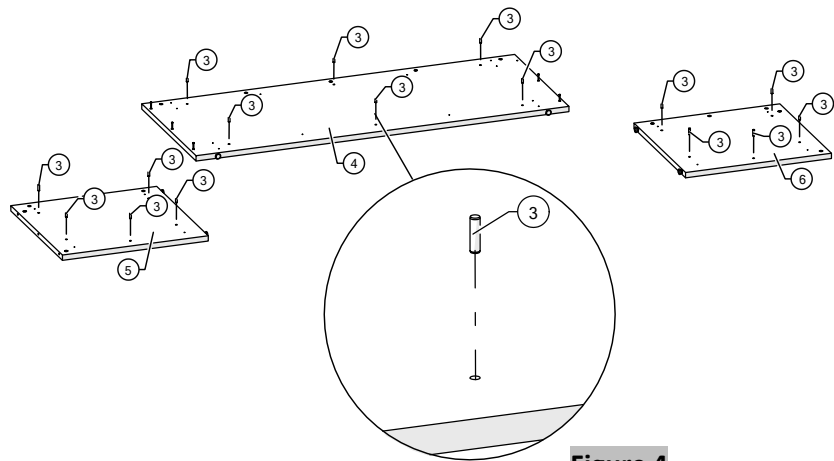
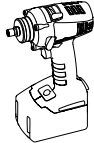

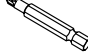
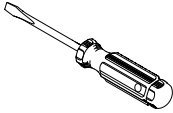
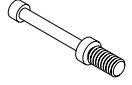



Figure 4

- ① WORKSURFACE
- ② COMBI DOWEL
- ③ WOODEN DOWEL
- ④ MODESTY
- ⑤ GABLE LH
- ⑥ GABLE RH
- ⑦ CAM

Tools & Hardware Needed

				8540-1278 
Drill	Robertson #2 Long Bit	Phillips Bit	Flat Screw Driver	Combi Dowel, 8mm x 34mm
8540-1366 				
Cam				

Maeva Reception Station – Straight

7. Connect the modesty to the gable LH and RH, and press tightly together by inserting the combi dowels into the side holes of the gable LH and RH (Figure 5).
8. Turn the Cams using a screwdriver in a clockwise direction to smoothly lock the modesty, gable LH, and gable RH together (Figure 6).

Continued on the next page >>

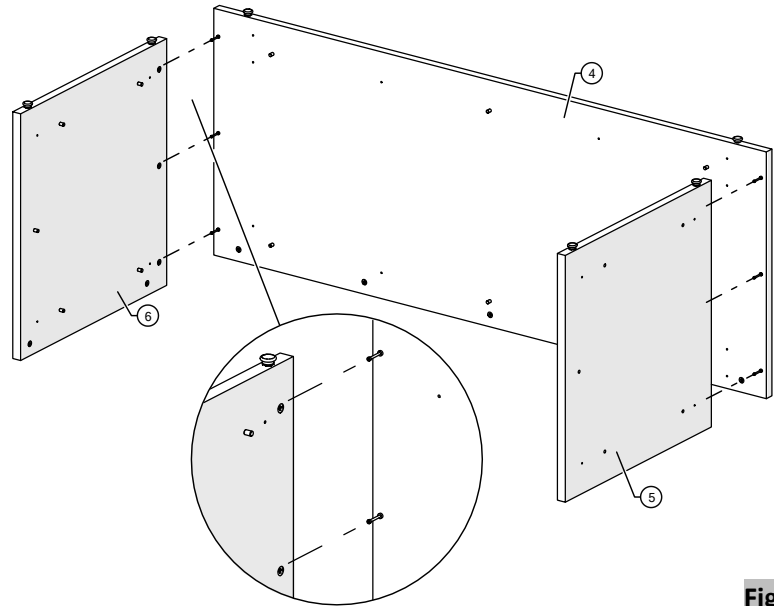


Figure 5

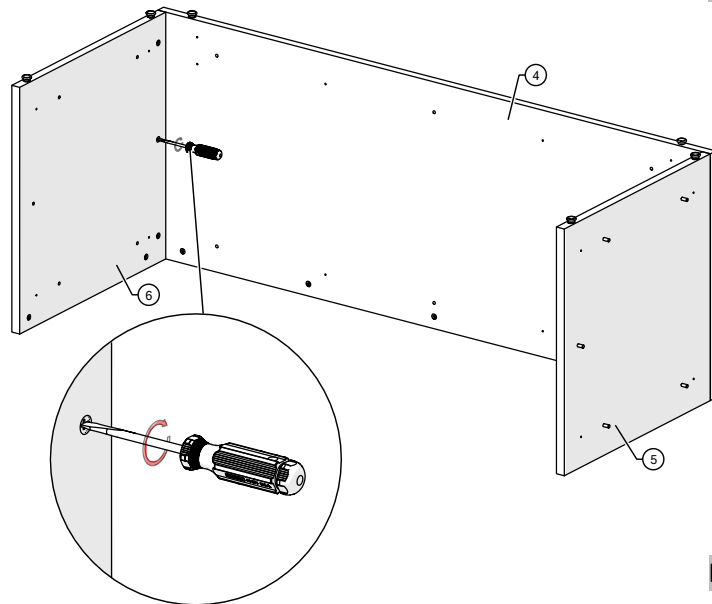
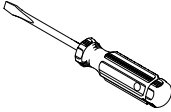


Figure 6

- ① WORKSURFACE
- ④ MODESTY
- ⑤ GABLE LH
- ⑥ GABLE RH

Tools & Hardware Needed

				
Flat Screw Driver				

Maeva Reception Station – Straight

9. Connect the assembled unit (modesty, gable LH, and gable RH) to the worksurface, and then press tightly together by inserting the combi dowels and wooden dowels into the holes (Figure 7).

10. Turn the Cams using a screwdriver in a clockwise direction to smoothly lock the modesty, gable LH, gable RH, and worksurface together (Figure 8).

Continued on the next page >>

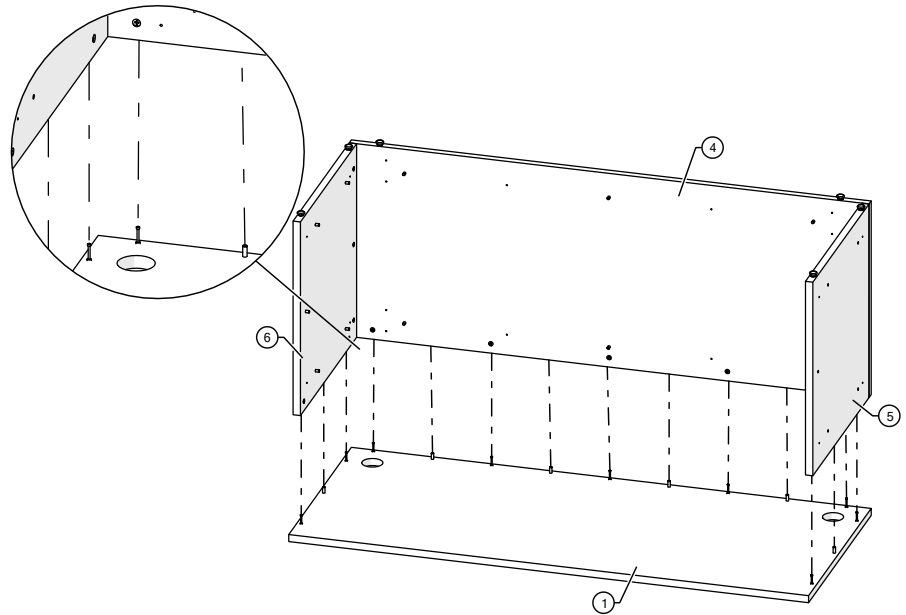


Figure 7

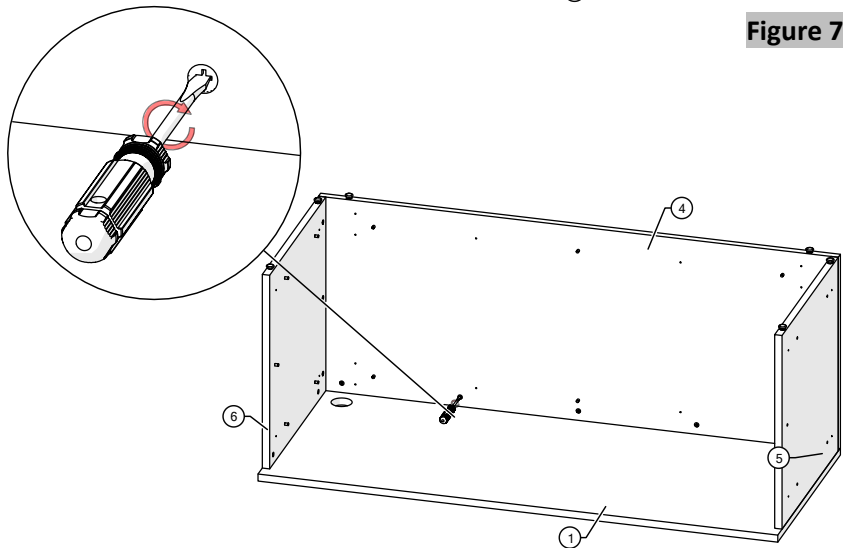
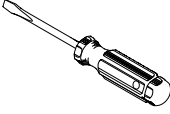


Figure 8

- ① WORKSURFACE
- ④ MODESTY
- ⑤ GABLE LH
- ⑥ GABLE RH

Tools & Hardware Needed

				
Flat Screw Driver				

Maeva Reception Station – Straight

- 11.** Flip the assembled desk upright position; level and adjust the glides, if necessary (Figure 9).
- 12.** Screw in combi dowels into the pre-drilled 5 mm border-upper holes (Figure 10).
- 13.** Push the wooden dowels into the pre-drilled 8 mm holes of the border-upper, and border-bottom, and then lightly tap with a rubber mallet to hold them firmly (Figure 10A).
- 14.** Place Cams into the holes of the border-upper, border-gable LH, and border-gable RH; make sure that the arrow on the face of the connector points toward the laminate board (Figure 10B).

Continued on the next page >>

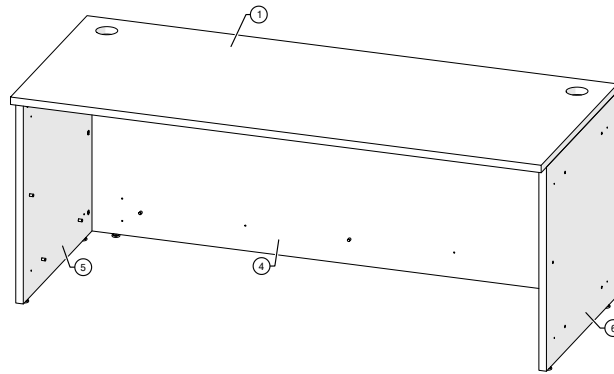


Figure 9

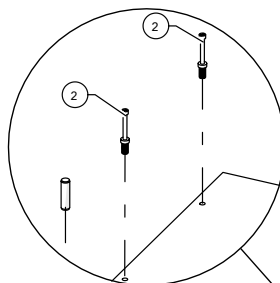


Figure 10

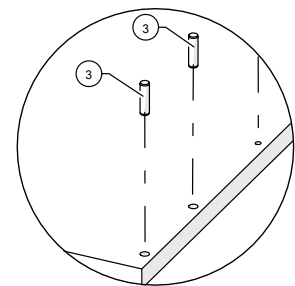


Figure 10A

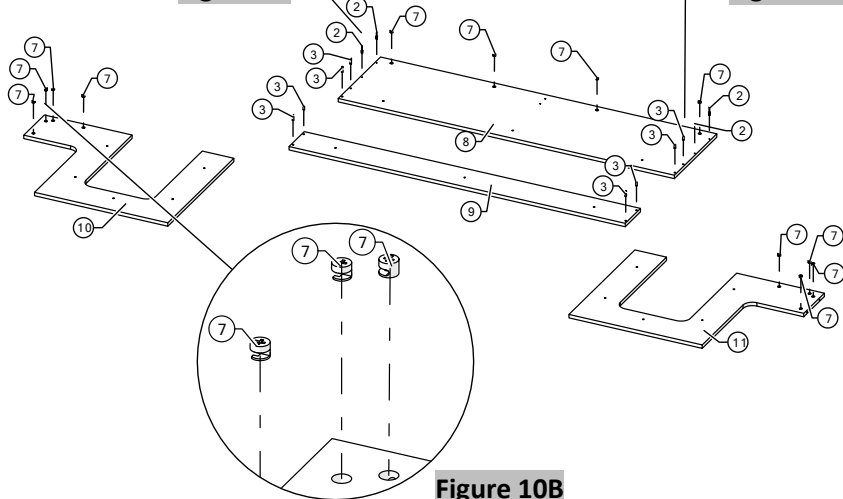
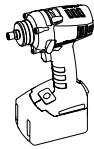
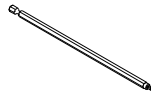

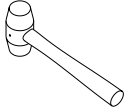
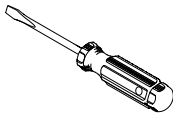
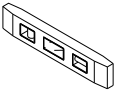
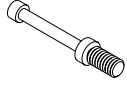
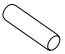



Figure 10B

- ② COMBI DOWEL
- ③ WOODEN DOWEL
- ⑦ CAM
- ⑧ BORDER-UPPER
- ⑨ BORDER-BOTTOM
- ⑩ BORDER-GABLE LH
- ⑪ BORDER-GABLE RH

Tools & Hardware Needed

				
Drill	Robertson #2 Long Bit	Phillips Bit	Rubber Mallet	Flat Screw Driver
	8540-1278	8540-0770	8540-1366	
				
Torpedo Level	Combi Dowel, 8mm x 34mm	Wooden Dowel, 8mm Dia. x30mm L	CAM Lock Connector	

Maeva Reception Station – Straight

15. Connect the border-upper to border-gable LH and border-gable RH, and press tightly together by inserting the combi dowels and wooden dowels into the side holes of the border-gable LH and RH (Figure 11).

16. Turn the Cams using a screwdriver in a clockwise direction to smoothly lock the border-upper, border-gable LH, and border-gable RH together (Figure 12).

Continued on the next page >>

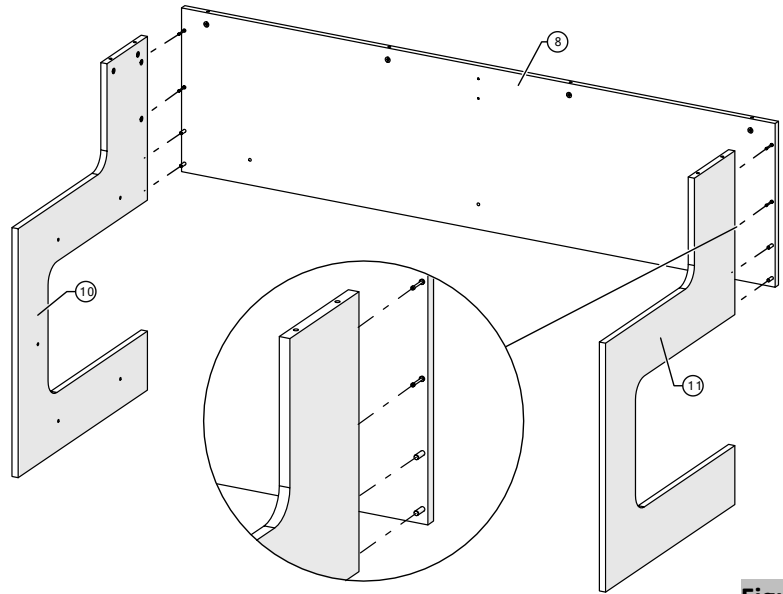


Figure 11

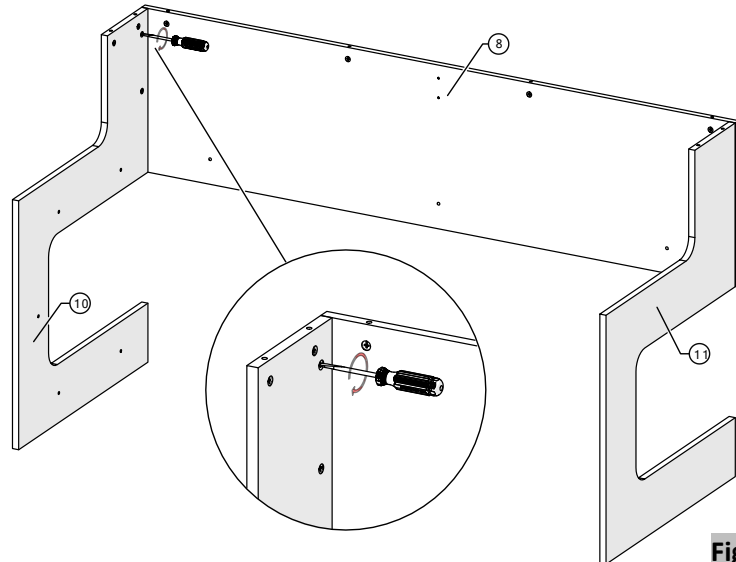
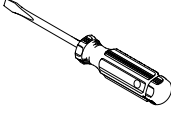


Figure 12

- ⑧ BORDER-UPPER
- ⑩ BORDER-GABLE LH
- ⑪ BORDER-GABLE RH

Tools & Hardware Needed

				
Flat Screw Driver				

Maeva Reception Station – Straight

17. Connect the border-bottom to border-gable LH and border-gable RH, and press tightly together by inserting the wooden dowels into the side holes of the border-gable LH and RH (Figure 13).

18. Position and align the assembled unit (border-upper, border-bottom, border-gable LH, and border-gable RH) with the corners of the desk (Figure 14).

Continued on the next page >>

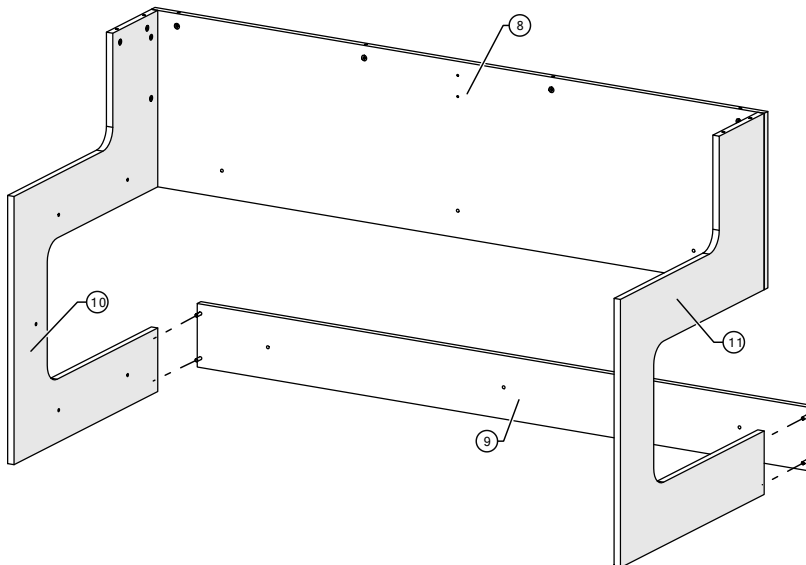


Figure 13

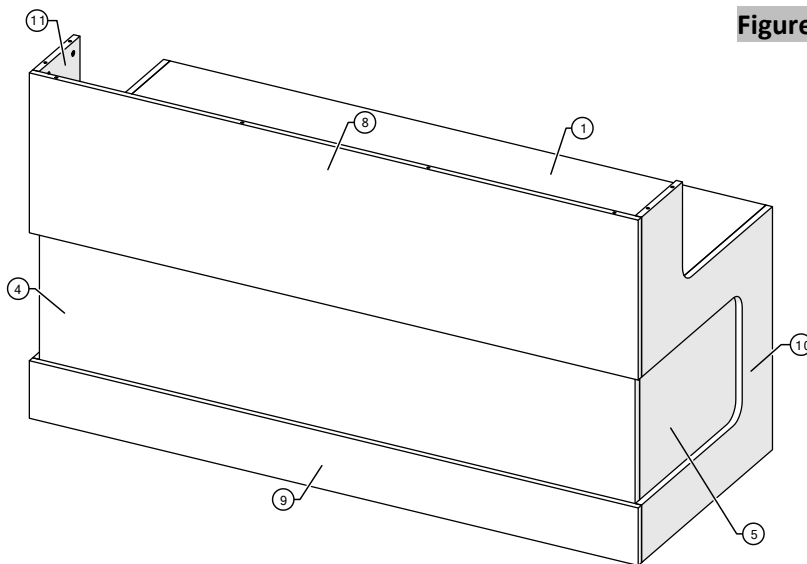


Figure 14

- ① WORKSURFACE
- ④ MODESTY
- ⑤ GABLE LH
- ⑧ BORDER-UPPER
- ⑨ BORDER-BOTTOM
- ⑩ BORDER-GABLE LH
- ⑪ BORDER-GABLE RH

Tools & Hardware Needed

Maeva Reception Station – Straight

19. Push the wooden dowels in with a wooden dowel and rubber mallet to hold the assembled unit (Figure 15).

Continued on the next page >>

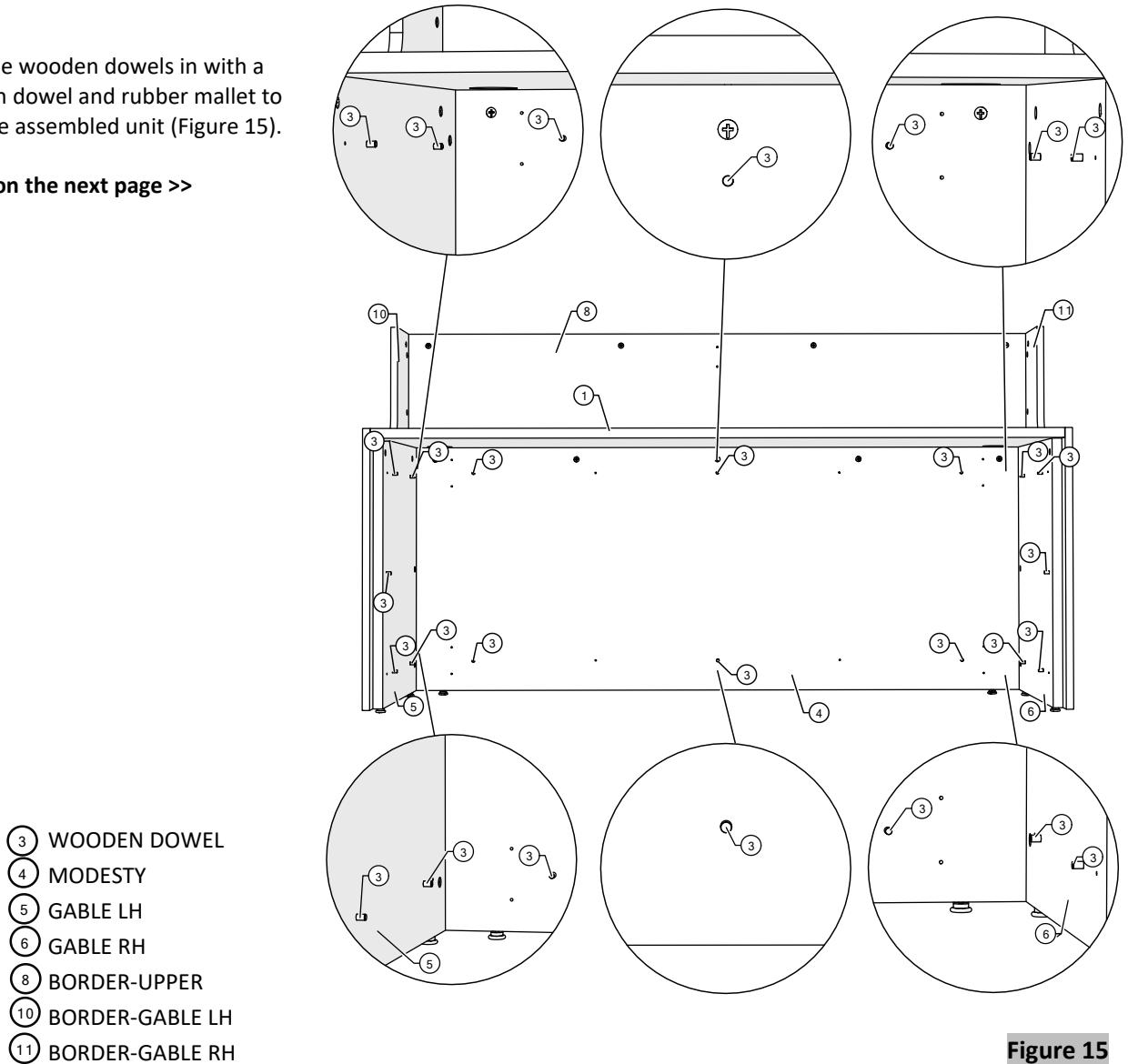
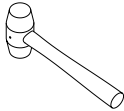


Figure 15

Tools & Hardware Needed

	8540-0770			
Rubber Mallet	Wooden Dowel, 8mm Dia. x30mm L			

Maeva Reception Station – Straight

20. Securely fasten assembled unit (border-upper, border-bottom, border gable-LH, and border-gable RH) to the desk using #8 x 1-1/2" Flat Head Screws (Figure 16).

Continued on the next page >>

- ④ MODESTY
- ⑤ GABLE LH
- ⑥ GABLE RH
- ⑧ BORDER-UPPER
- ⑩ BORDER-GABLE LH
- ⑪ BORDER-GABLE RH

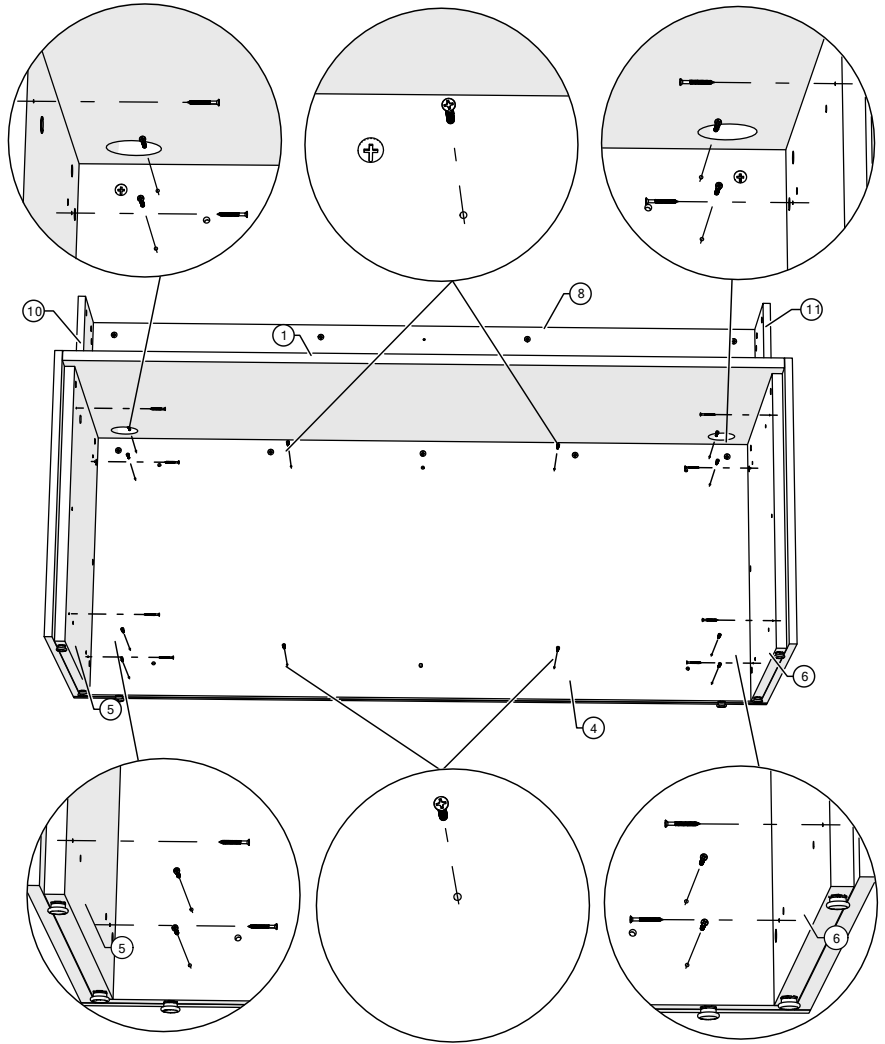
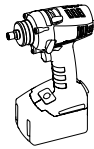




Figure 16

Tools & Hardware Needed

				
Drill	Robertson #2 Long Bit	Phillips Bit		

Maeva Reception Station – Full Straight

- 21.** Place the countertop face down on a clean solid surface or floor with the underside facing up.
- 22.** Screw in combi dowels into the pre-drilled 5 mm countertop holes (Figure 17).
- 23.** Connect the countertop to the border-upper, border-gable RH and border-gable LH; press tightly together by inserting the combi dowels into the top holes (Figure 18).

Continued on the next page >>

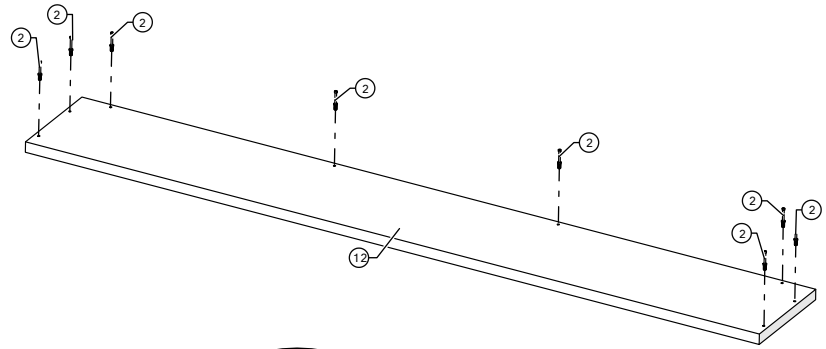


Figure 17

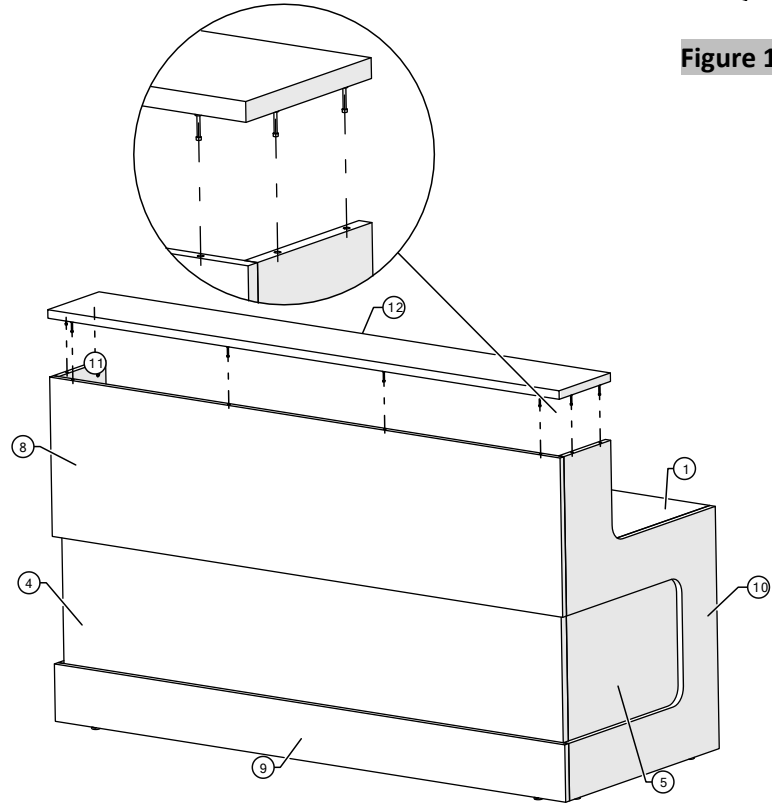
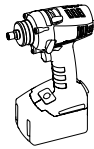

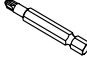
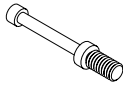


Figure 18

- ① WORKSURFACE
- ④ MODESTY
- ⑤ GABLE LH
- ⑧ BORDER-UPPER
- ⑨ BORDER-BOTTOM
- ⑩ BORDER-GABLE LH
- ⑪ BORDER-GABLE RH
- ⑫ COUNTERTOP

Tools & Hardware Needed

			8540-1278 	
Drill	Robertson #2 Long Bit	Phillips Bit	Combi Dowel, 8mm x 34mm	

Maeva Reception Station – Full Straight

24. Turn the Cams using a screwdriver in a clockwise direction to smoothly lock the countertop, border-upper, border-gable LH, and border-gable RH together (Figure 19).

25. Insert the grommets into the grommet holes (Figure 20).

26. Stick the fastcaps onto all visible holes, screws, and Cams (Figure 20A).

Continued on the next page >>

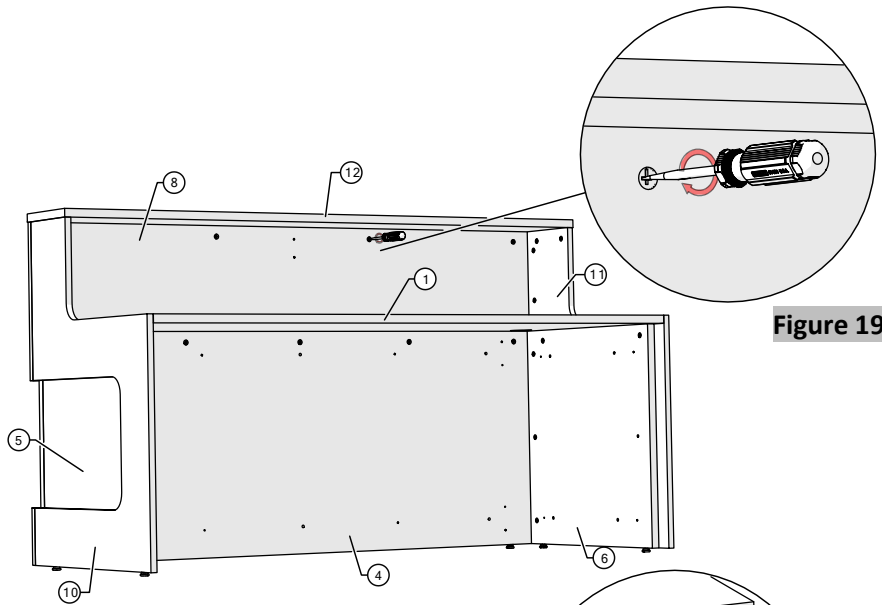


Figure 19

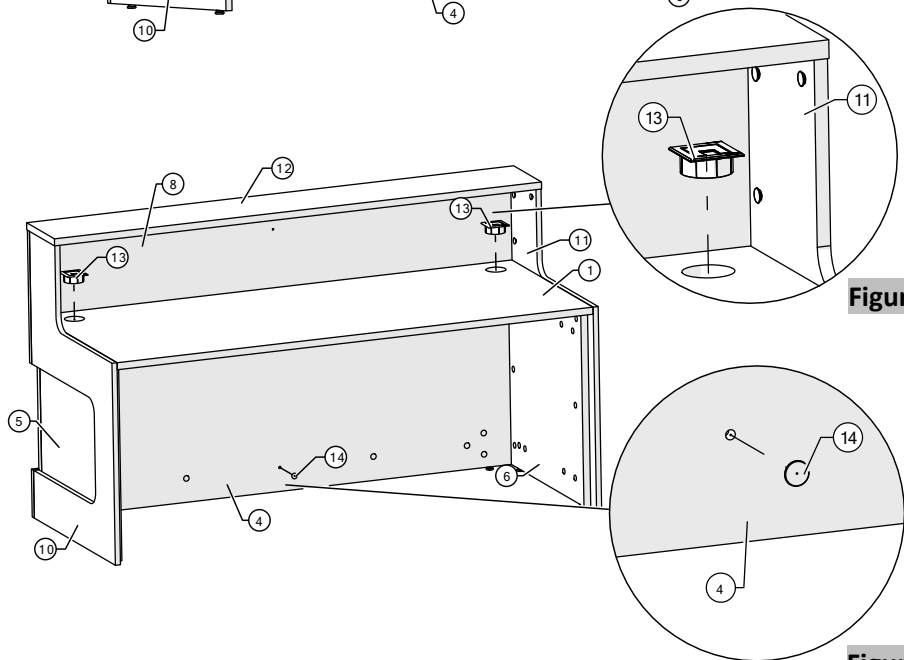
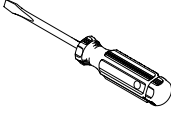


Figure 20

- ① WORKSURFACE
- ④ MODESTY
- ⑤ GABLE LH
- ⑥ GABLE RH
- ⑧ BORDER-UPPER
- ⑩ BORDER GABLE LH
- ⑪ BORDER GABLE RH
- ⑫ COUNTERTOP
- ⑬ GROMMET
- ⑭ FASTCAPS

Figure 20A

Tools & Hardware needed

				
Flat Screw Driver				

Maeva Reception Station – Straight

27. Align holes in the countertop bracket to the pre-drilled holes of the border-upper; screw two #10 x 11/16" Pan Head Screws into the pre-drilled holes (Figure 21).

28. Securely fasten the countertop brackets using #10 x 11/16" Pan Head Screws.

29. Install the cantilever support at mid-span of the worksurface using #10 x 11/16" Pan Head Screws, (Figure 21A).

Note: The cantilever support will be on 84"–96" wide units, not 72" wide.

- ① WORKSURFACE
- ④ MODESTY
- ⑤ GABLE LH
- ⑥ GABLE RH
- ⑧ BORDER-UPPER
- ⑩ BORDER GABLE LH
- ⑪ BORDER GABLE RH
- ⑫ COUNTERTOP
- ⑮ COUNTERTOP BRACKET
- ⑯ CANTILEVER SUPPORT

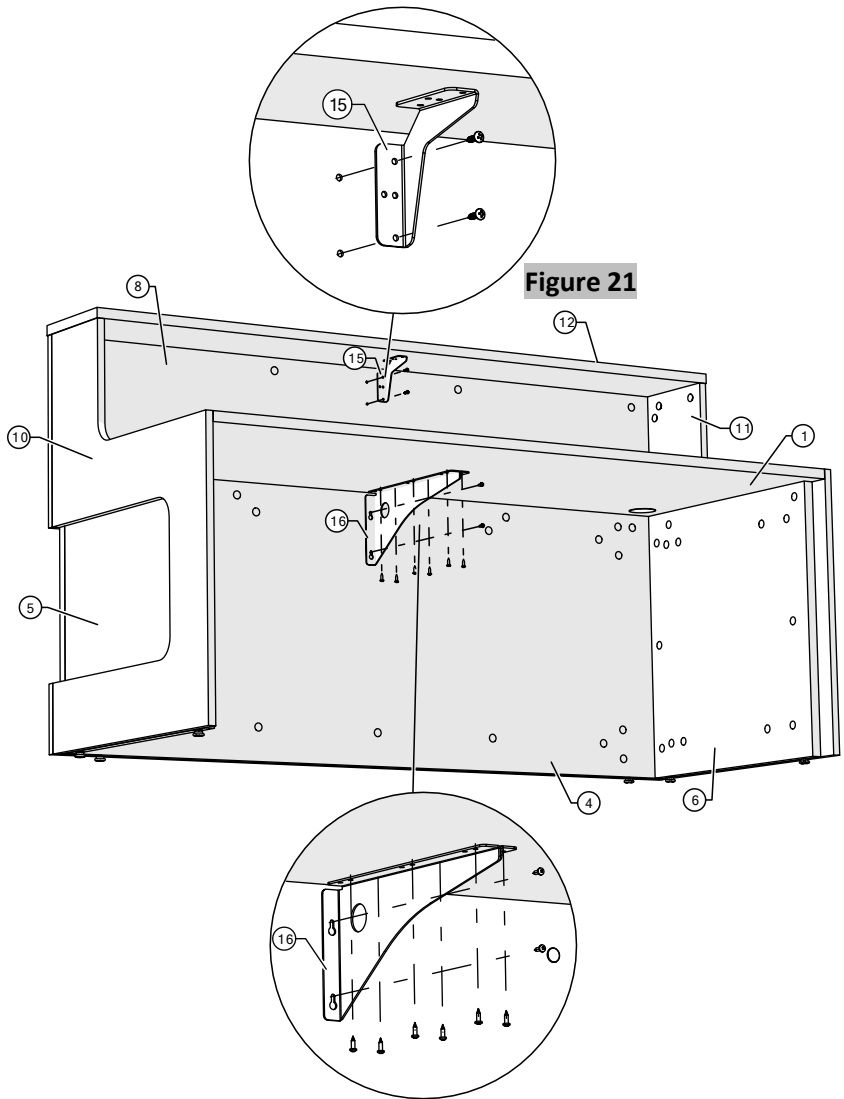
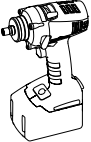




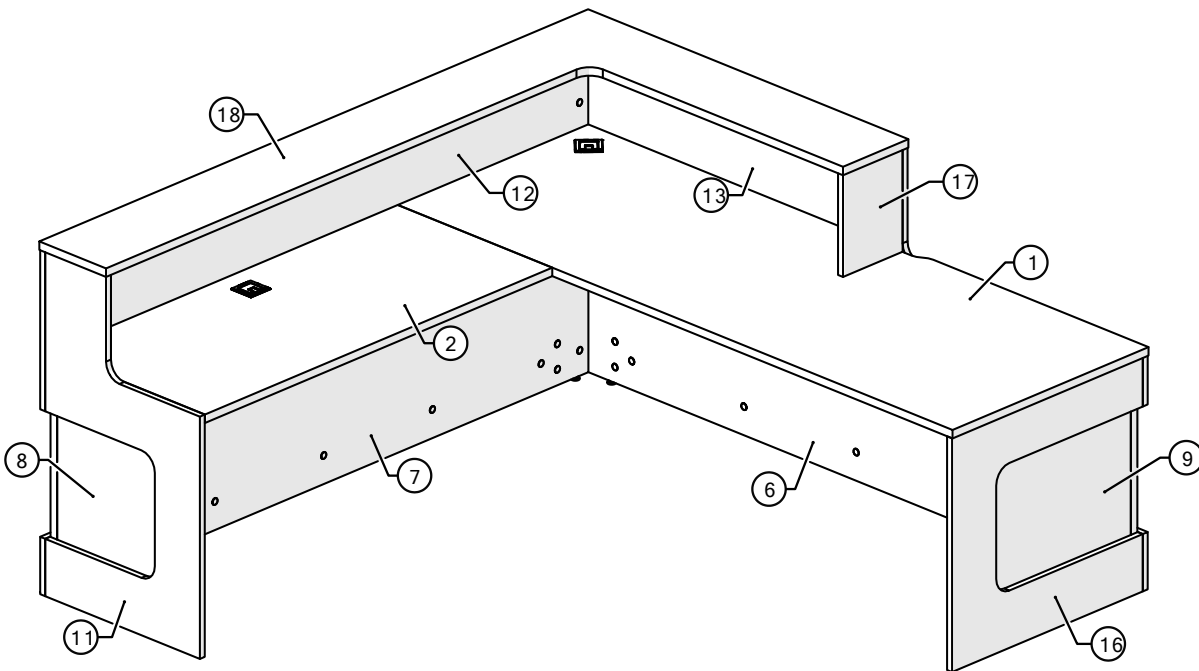
Figure 21

Figure 21A

Tools & Hardware Needed

		8540-0545 		
Drill	Robertson #2 Long Bit	#10 x 11/16", Pan Head Screw		

Maeva Reception Station – L-shaped



- ① WORKSURFACE (LH SHOWN)
- ② WORKSURFACE RETURN
- ⑥ MODESTY FRONT
- ⑦ MODESTY RETURN
- ⑧ GABLE LH
- ⑨ GABLE RH
- ⑪ BORDER-GABLE LH
- ⑫ BORDER-UPPER RETURN
- ⑬ BORDER-UPPER FRONT
- ⑯ BORDER-GABLE RH
- ⑰ COUNTERTOP GABLE
- ⑱ COUNTERTOP

Maeva Reception Station – L-shaped

NOTE: A minimum of two people are required to perform this installation.

- 1.** Place the worksurfaces face down on a clean solid surface or floor with the underside facing up (Figure 1).
- 2.** Screw in combi dowels into the pre-drilled 5 mm holes of the worksurfaces (Figure 2).

Continued on the next page >>

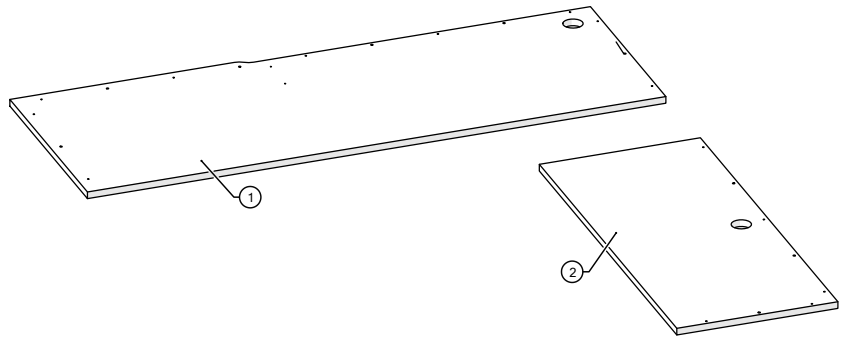
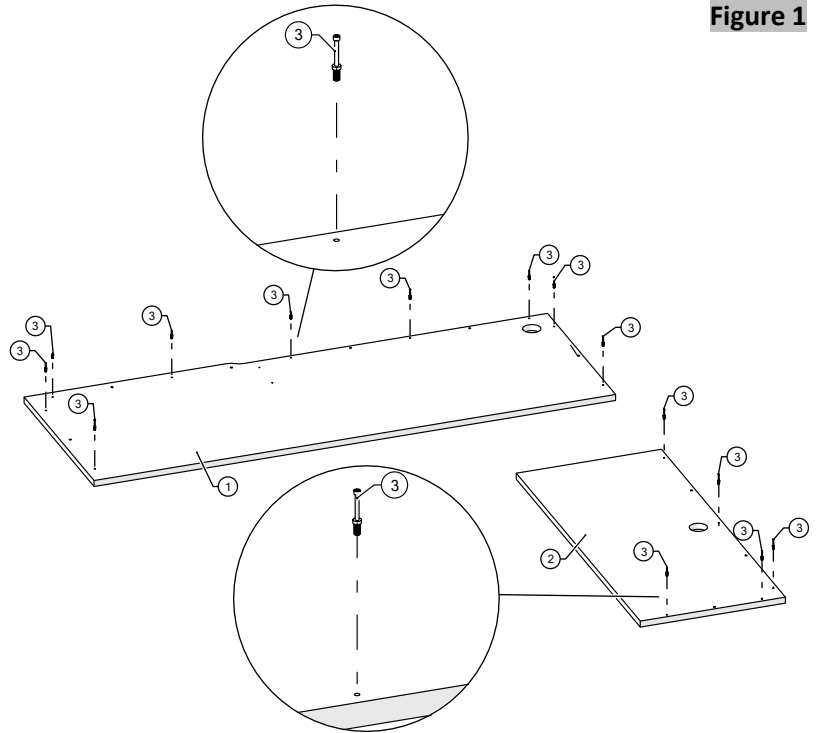


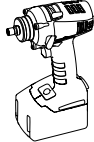


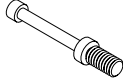
Figure 1



- ① WORKSURFACE (LH SHOWN)
- ② WORKSURFACE RETURN
- ③ COMBI DOWEL

Figure 2

Tools & Hardware Needed

			8540-1278 	
Drill	Robertson #2 Long Bit	Phillips Bit	Combi Dowel, 8mm x 34mm	

Maeva Reception Station – L-shaped

3. Push the wooden dowels into the pre-drilled 8 mm holes of the worksurfaces and then lightly tap with a rubber mallet to hold them firmly (Figure 3).
4. Screw in combi dowels into the pre-drilled 5 mm holes of the modesty front and modesty return (Figure 4).

Continued on the next page >>

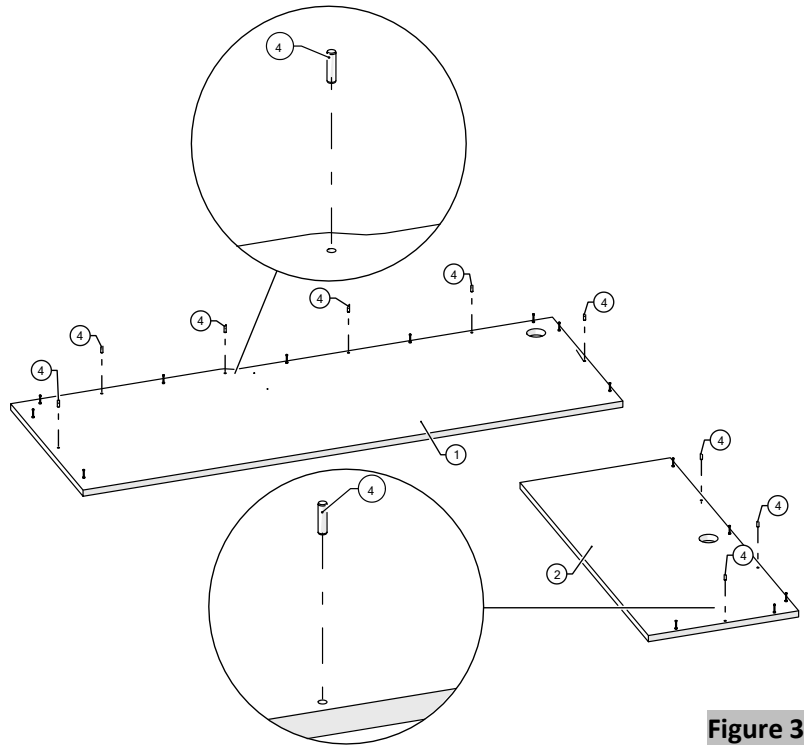


Figure 3

- ① WORKSURFACE (LH SHOWN)
- ② WORKSURFACE RETURN
- ③ COMBI DOWEL
- ④ WOODEN DOWEL
- ⑥ MODESTY FRONT
- ⑦ MODESTY RETURN

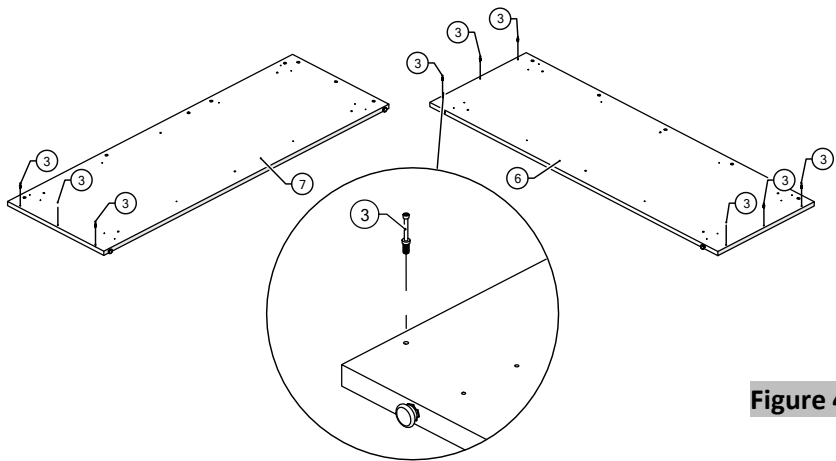
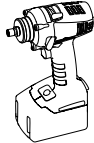

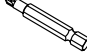
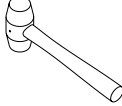

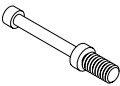


Figure 4

Tools & Hardware Needed

				8540-0770 
Drill	Robertson #2 Long Bit	Phillips Bit	Rubber Mallet	Wooden Dowel, 8mm Dia. x30mm L
8540-1278 				
Combi Dowel, 8mm x 34mm				

Maeva Reception Station – L-shaped

5. Push the wooden dowels into the pre-drilled 8 mm holes of the modesty front, modesty return, gable LH, and gable RH, and then lightly tap with a rubber mallet to hold them firmly (Figure 5).
6. Place Cams into the holes of the modesty front, modesty return, gable LH, and gable RH; make sure that the arrow on the face of the connector points toward the laminate board (Figure 6).

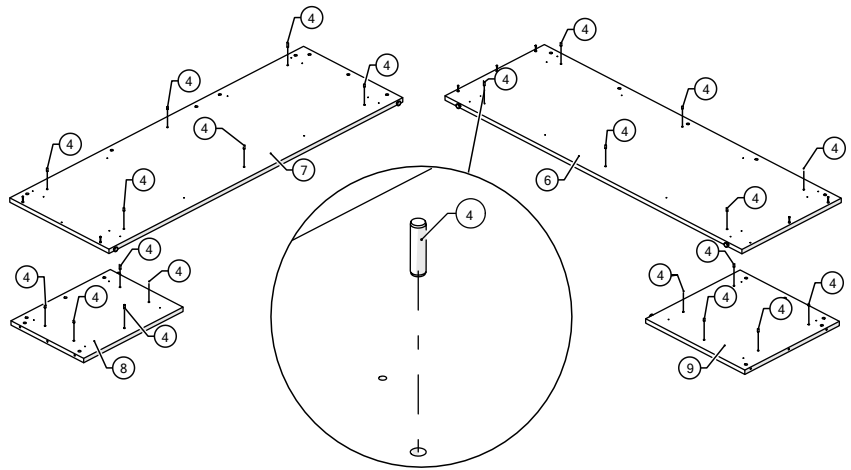
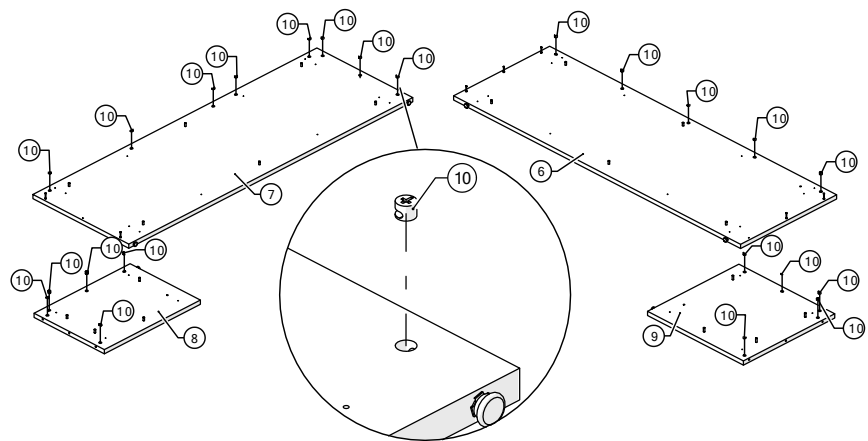


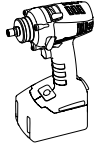

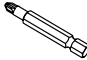
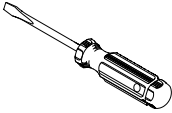
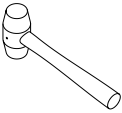
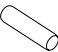

Figure 5



- ④ WOODEN DOWEL
- ⑥ MODESTY FRONT
- ⑦ MODESTY RETURN
- ⑧ GABLE LH
- ⑨ GABLE RH
- ⑩ CAM

Figure 6

Tools & Hardware Needed

				
Drill	Robertson #2 Long Bit	Phillips Bit	Flat Screw Driver	Rubber Mallet
8540-0770	8540-1366			
				
Wooden Dowel, 8mm Dia. x30mm L	Cam			

Maeva Reception Station – L-shaped

7. Connect the modesty front, modesty return, gable LH, and gable RH and press tightly together by inserting the combi dowels into the side holes (Figure 7).
8. Turn the Cams using a screwdriver in a clockwise direction to smoothly lock the modesty front, modesty return, gable LH, and gable RH together (Figure 8).

Continued on the next page >>

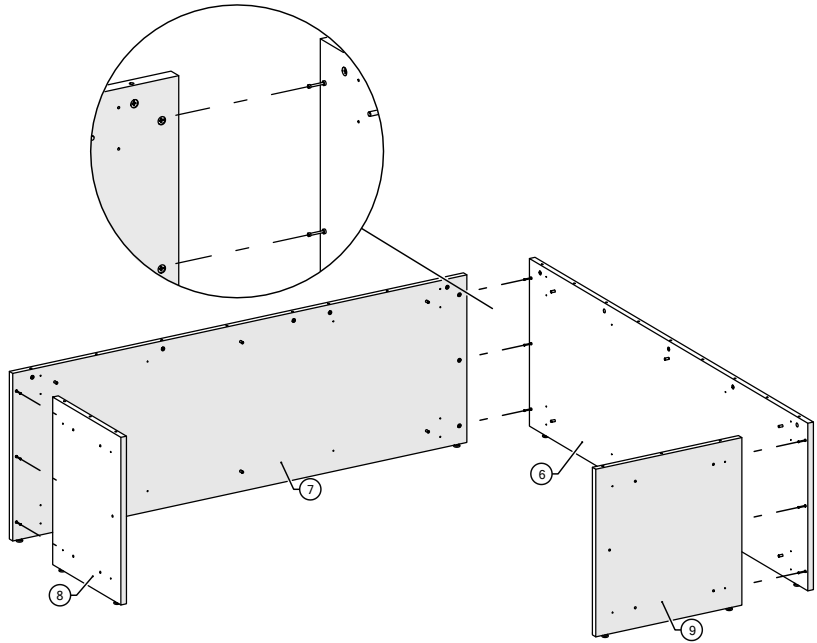


Figure 7

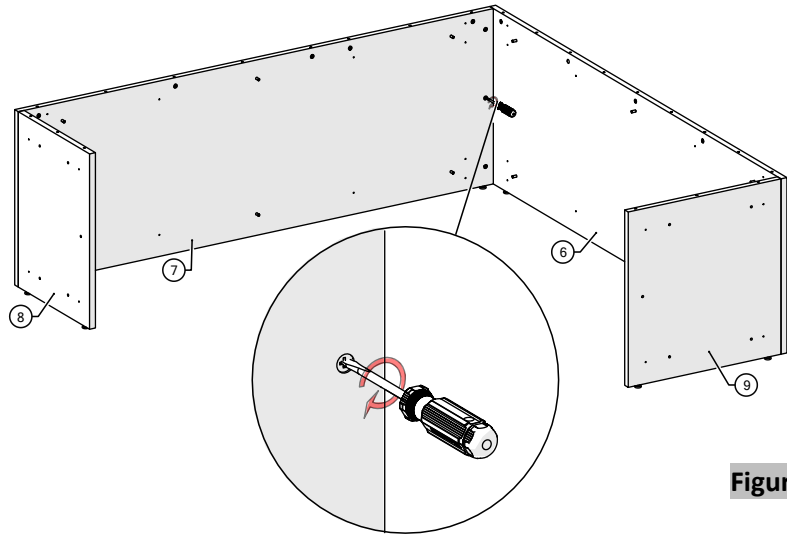
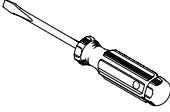


Figure 8

- ⑥ MODESTY FRONT
- ⑦ MODESTY RETURN
- ⑧ GABLE LH
- ⑨ GABLE RH

Tools & Hardware Needed

				
Flat Screw Driver				

Maeva Reception Station – L-shaped

9. Connect the worksurfaces to the assembled unit (modesty front, modesty return, gable LH, and gable RH), and then press tightly together by inserting the combi dowels and wooden dowels into the holes (Figure 9).
10. Turn the Cams using a screwdriver in a clockwise direction to smoothly lock the assembled unit and worksurfaces together (Figure 10).

Continued on the next page >>

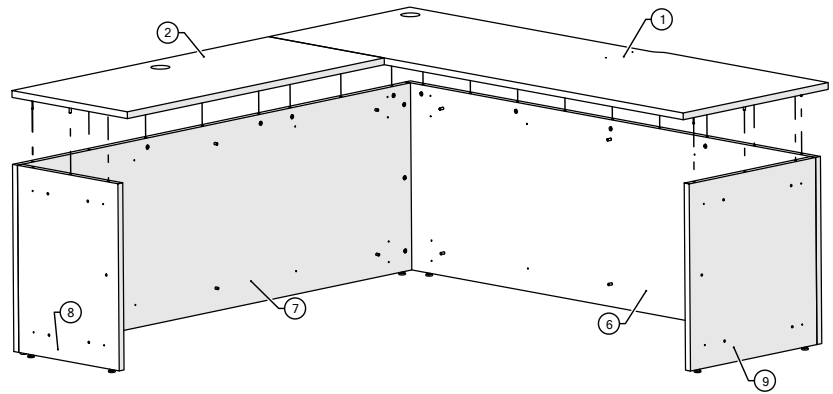
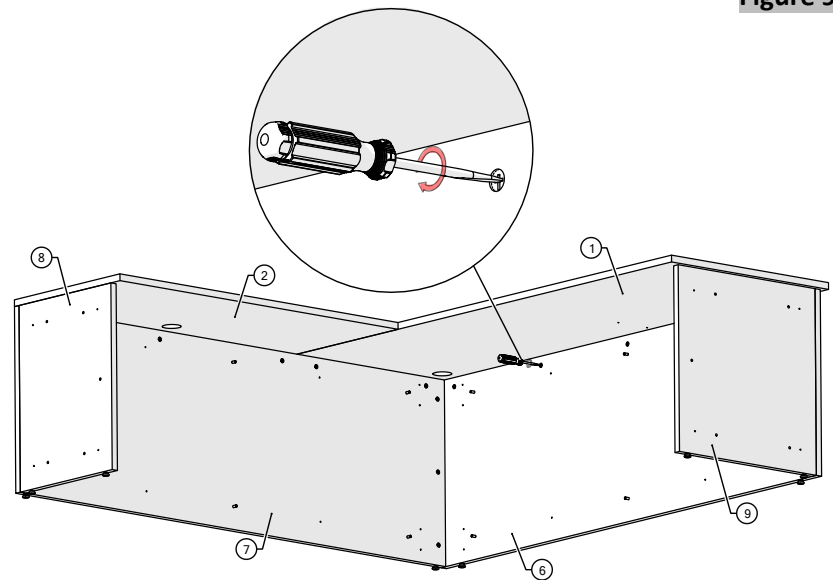


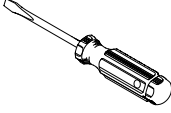
Figure 9



- ① WORKSURFACE (LH SHOWN)
- ② WORKSURFACE RETURN
- ⑥ MODESTY FRONT
- ⑦ MODESTY RETURN
- ⑧ GABLE LH
- ⑨ GABLE RH

Figure 10

Tools & Hardware Needed

				
Flat Screw Driver				

Maeva Reception Station – L-shaped

11. Attach the mending plates to the underside of the adjoining worksurfaces using #10 x 1" Pan Head Screws (Figure 11).

12. Level and adjust the glides, if necessary (Figure 12).

Continued on the next page >>

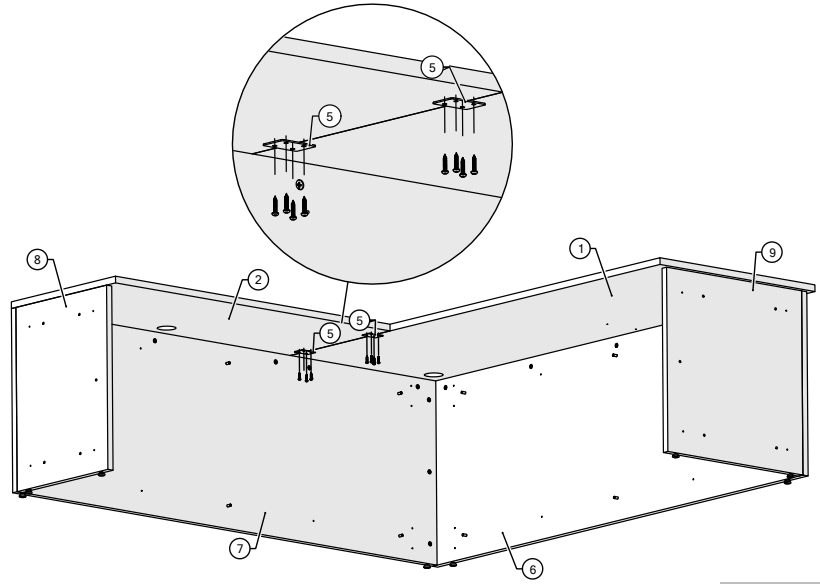


Figure 11

- ① WORKSURFACE (LH SHOWN)
- ② WORKSURFACE RETURN
- ⑥ MODESTY FRONT
- ⑦ MODESTY RETURN
- ⑧ GABLE LH
- ⑨ GABLE RH

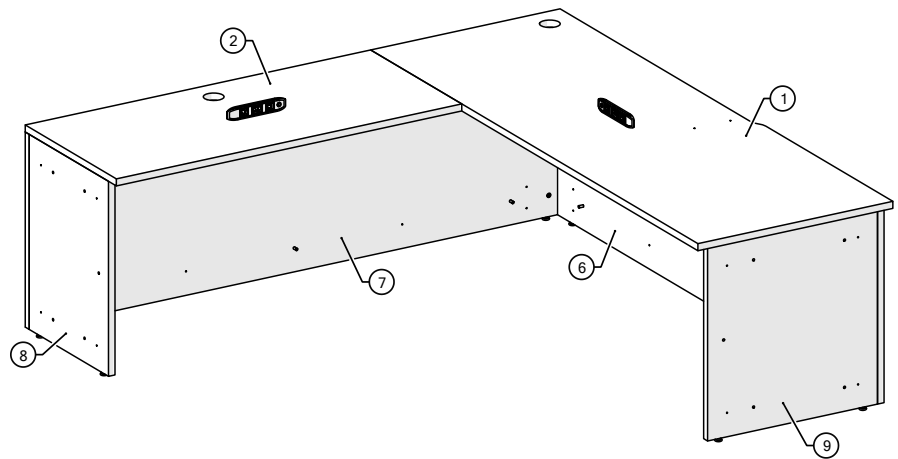
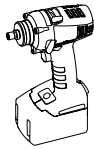

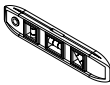


Figure 12

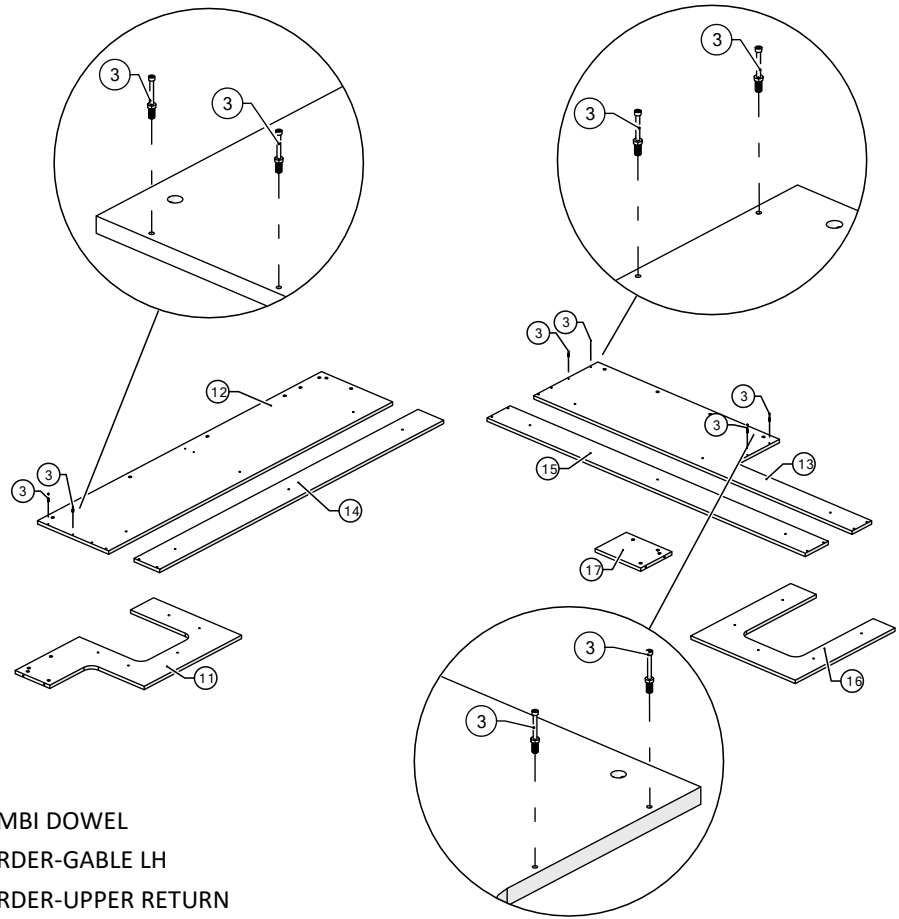
Tools & Hardware Needed

			8540-0789	MENDPLATE-BLK
Drill	Robertson #2 Long Bit	Torpedo Level	#10 X 1" Pan Head Screw, RB2, Black	Mending Plate

Maeva Reception Station – L-shaped

13. Screw in combi dowels into the pre-drilled 5 mm holes of the border-upper return and border-upper front (Figure 13).

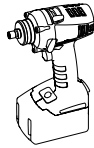

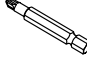
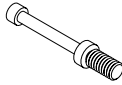
Continued on the next page >>



- ③ COMBI DOWEL
- ⑪ BORDER-GABLE LH
- ⑫ BORDER-UPPER RETURN
- ⑬ BORDER-UPPER FRONT
- ⑭ BORDER-BOTTOM RETURN
- ⑮ BORDER- BOTTOM FRONT
- ⑯ BORDER-GABLE RH
- ⑰ COUNTERTOP GABLE

Figure 13

Tools & Hardware Needed

			8540-1278 	
Drill	Robertson #2 Long Bit	Phillips Bit	Combi Dowel, 8mm x 34mm	

Maeva Reception Station – L-shaped

14. Push the wooden dowels into the pre-drilled 8 mm holes of the border-upper front, border upper return, border-bottom front, and border-bottom return, and then lightly tap with a rubber mallet to hold them firmly (Figure 14).

Continued on the next page >>

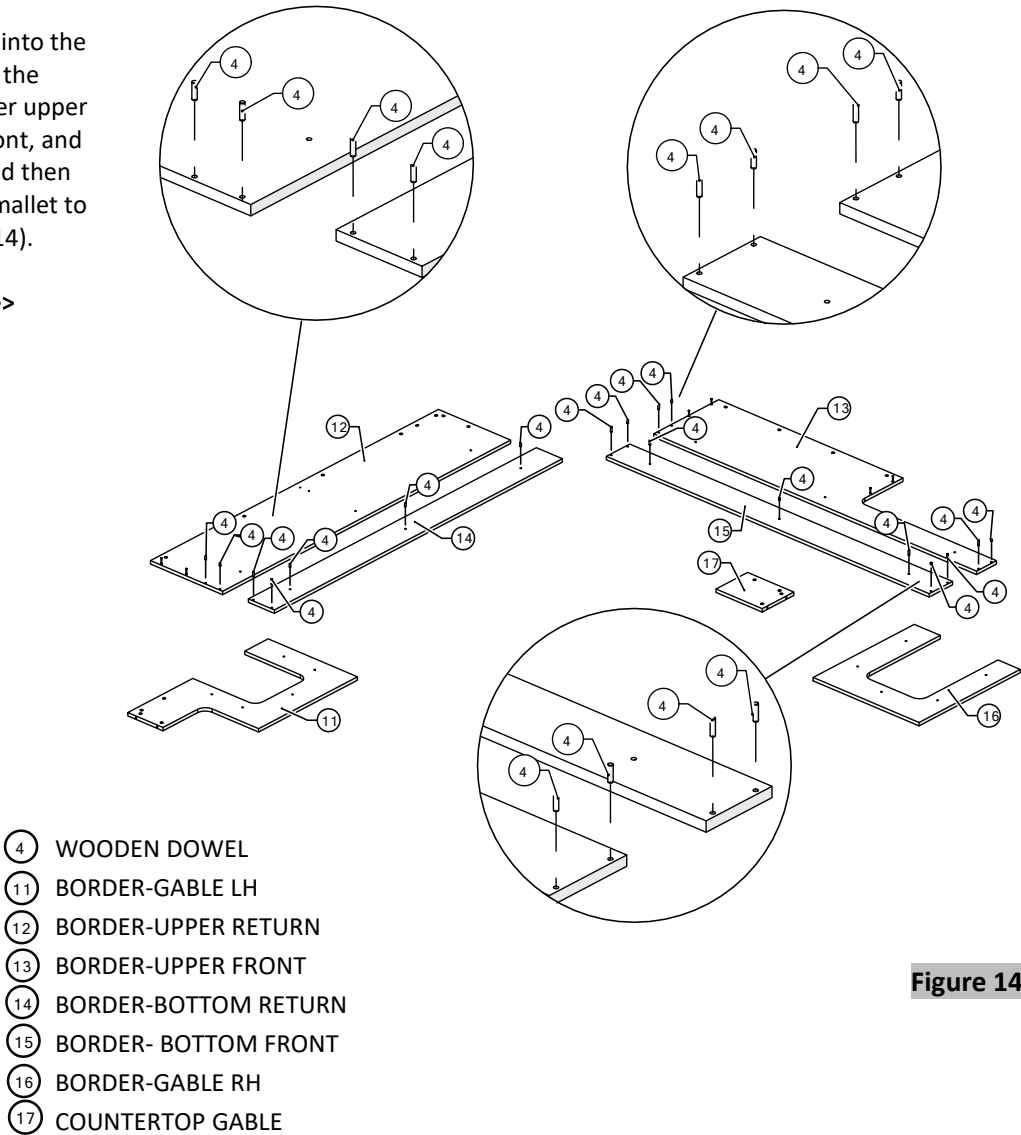
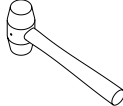



Figure 14

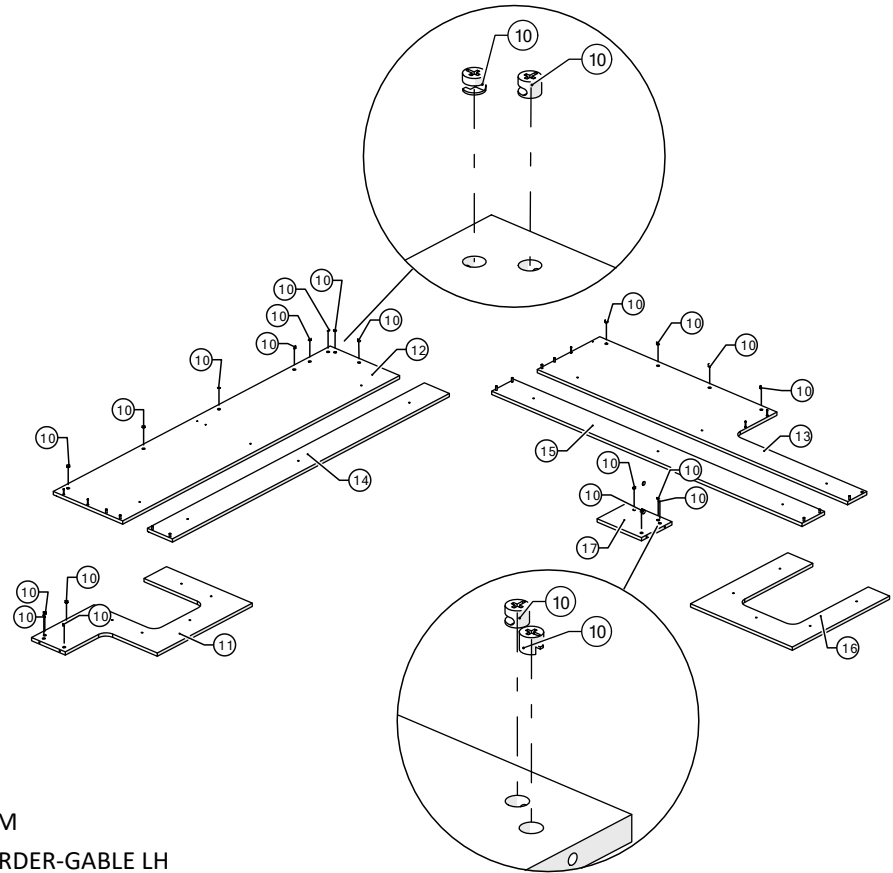
Tools & Hardware Needed

	8540-0770 			
Rubber Mallet	Wooden Dowel, 8mm Dia. x30mm L			

Maeva Reception Station – L-shaped

15. Place Cams into the holes of the border-upper front, border-upper return, countertop gable, and border-gable LH; make sure that the arrow on the face of the connector points toward the laminate board (Figure 15).

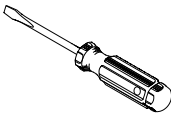
Continued on the next page >>



- ⑩ CAM
- ⑪ BORDER-GABLE LH
- ⑫ BORDER-UPPER RETURN
- ⑬ BORDER-UPPER FRONT
- ⑭ BORDER-BOTTOM RETURN
- ⑮ BORDER- BOTTOM FRONT
- ⑯ BORDER-GABLE RH
- ⑰ COUNTERTOP GABLE

Figure 15

Tools & Hardware Needed

				
Flat Screw Driver				

Maeva Reception Station – L-shaped

16. Connect the border-upper front to the border-upper return and press tightly together by inserting the combi dowels and wooden dowels into the side holes of the border-upper return (Figure 16).

17. Turn the Cams using a screwdriver in a clockwise direction to smoothly lock the border-upper front and border-upper return together (Figure 17).

Continued on the next page >>

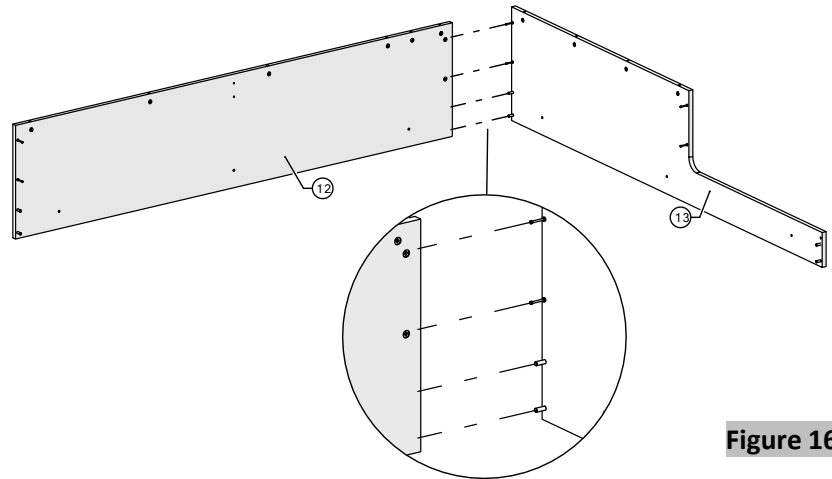
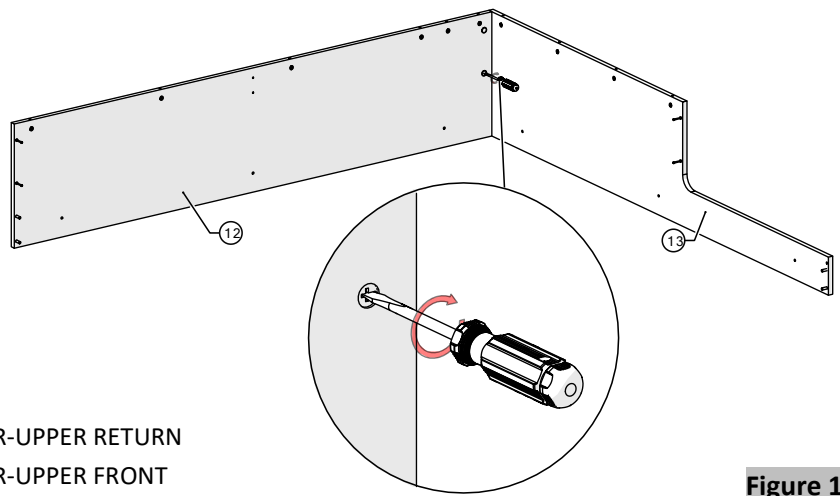


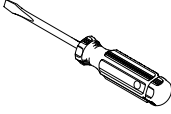
Figure 16



- ⑫ BORDER-UPPER RETURN
- ⑬ BORDER-UPPER FRONT

Figure 17

Tools & Hardware Needed

				
Flat Screw Driver				

Maeva Reception Station – L-shaped

18. Connect the countertop gable to the border-upper front and press tightly together by inserting the combi dowels into the side holes of the countertop gable (Figure 18).

19. Turn the Cams using a screwdriver in a clockwise direction to smoothly lock the countertop gable and border-upper front together (Figure 19).

Continued on the next page >>

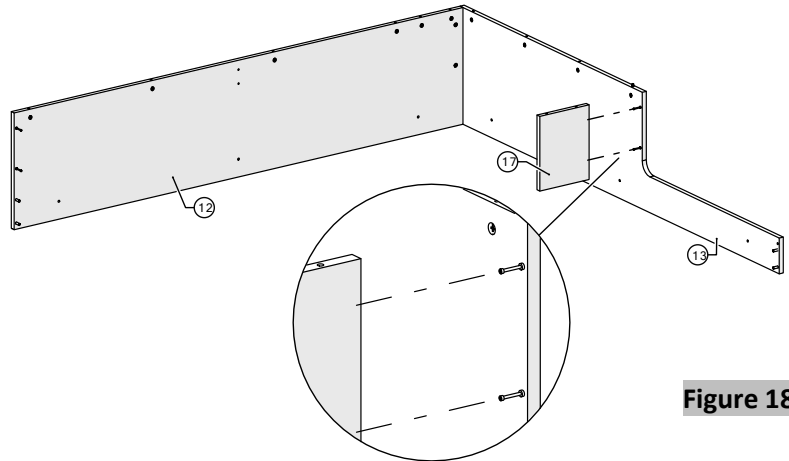
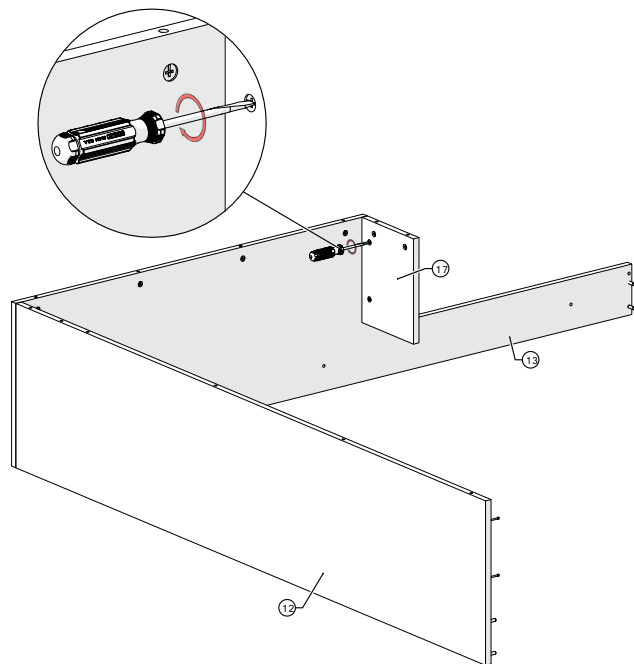


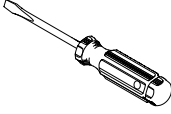
Figure 18



- ⑫ BORDER-UPPER RETURN
- ⑬ BORDER-UPPER FRONT
- ⑰ COUNTERTOP GABLE

Figure 19

Tools & Hardware Needed

				
Flat Screw Driver				

Maeva Reception Station – L-shaped

20. Position and align the assembled unit (border-upper front, border-upper return, and countertop gable) with the side and corner of the desk; connect the border-gable LH to the border-upper return and press tightly together by inserting the combi dowels and wooden dowels into the side holes of the border- gable LH (Figure 20).

21. Turn the Cams using a screwdriver in a clockwise direction to smoothly lock the border-gable LH and border-upper return together (Figure 21).

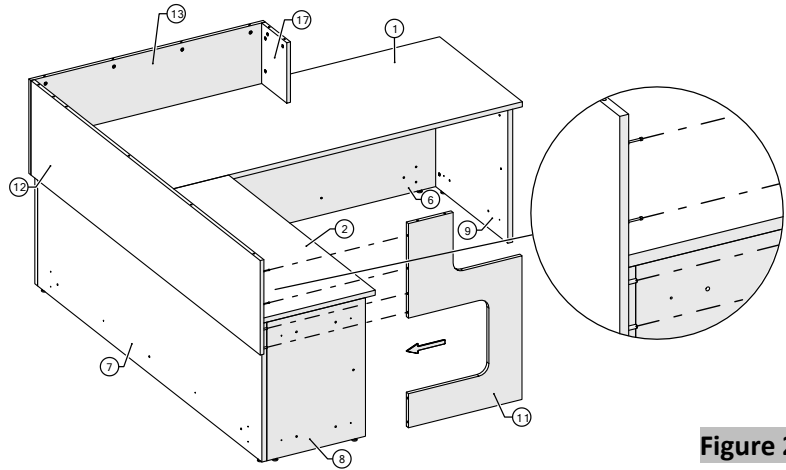


Figure 20

- ① WORKSURFACE (LH SHOWN)
- ② WORKSURFACE RETURN
- ⑥ MODESTY FRONT
- ⑦ MODESTY RETURN
- ⑧ GABLE LH
- ⑨ GABLE RH
- ⑪ BORDER-GABLE LH
- ⑫ BORDER-UPPER RETURN
- ⑬ BORDER-UPPER FRONT
- ⑰ COUNTERTOP GABLE

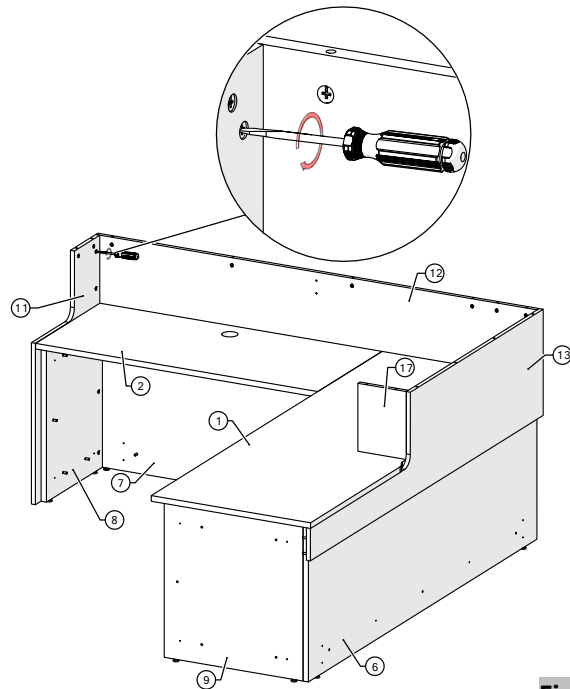
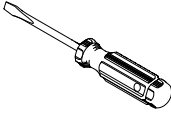


Figure 21

Tools & Hardware Needed

				
Flat Screw Driver				

Maeva Reception Station – L-shaped

22. Push the wooden dowels with a wooden dowel and rubber mallet to hold the border-gable LH, border-upper return, and border-upper front (Figures 22 and 23).

Continued on the next page >>

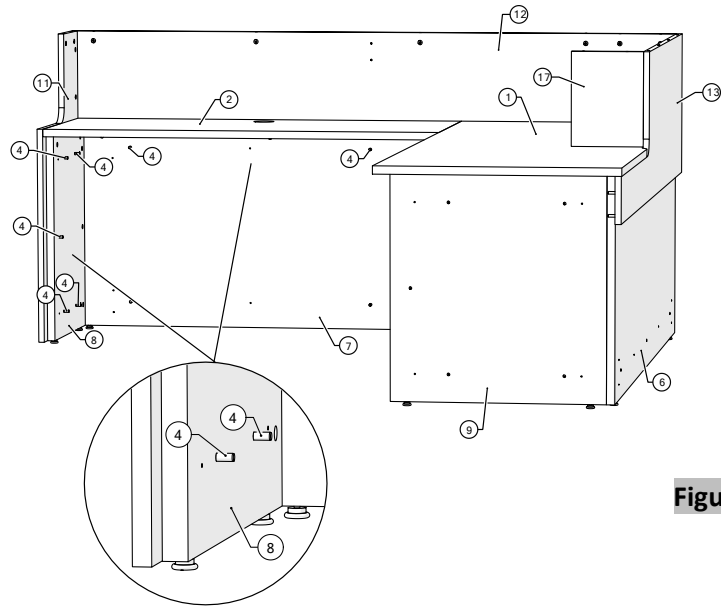


Figure 22

- ① WORKSURFACE (LH SHOWN)
- ② WORKSURFACE RETURN
- ④ WOODEN DOWEL
- ⑥ MODESTY FRONT
- ⑦ MODESTY RETURN
- ⑧ GABLE LH
- ⑨ GABLE RH
- ⑪ BORDER-GABLE LH
- ⑫ BORDER-UPPER RETURN
- ⑬ BORDER-UPPER FRONT
- ⑰ COUNTERTOP GABLE

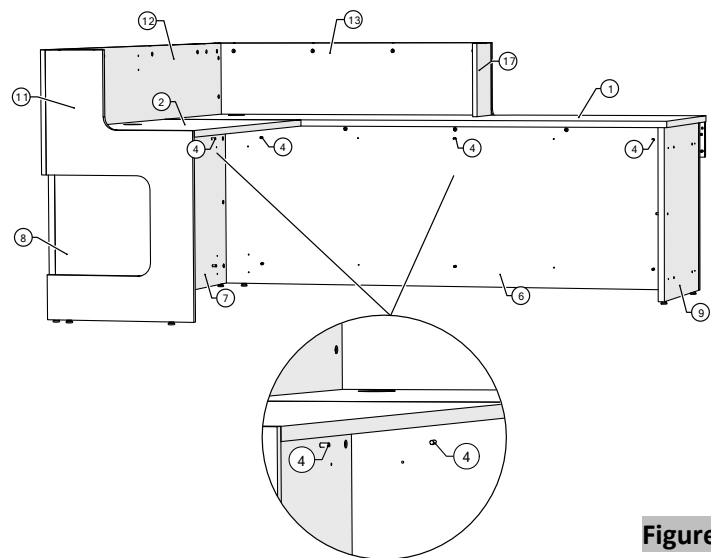
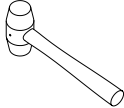


Figure 23

Tools & Hardware Needed

	8540-0770			
Rubber Mallet	Wooden Dowel, 8mm Dia. x30mm L			

Maeva Reception Station – L-shaped

23. Position and align the border-bottom return with the modesty return and border-gable LH; connect the border-bottom return to the modesty return and border-gable LH, and press tightly together by inserting the wooden dowels into the bottom holes (Figure 24).

24. Position and align the border-bottom front with modesty front and modesty return; connect the border-bottom front to the modesty front and border-bottom return, and press tightly together by inserting the wooden dowels into the holes (Figure 25).

Continued on the next page >>

- ① WORKSURFACE (LH SHOWN)
- ② WORKSURFACE RETURN
- ④ WOODEN DOWEL
- ⑥ MODESTY FRONT
- ⑦ MODESTY RETURN
- ⑧ GABLE LH
- ⑨ GABLE RH
- ⑪ BORDER-GABLE LH
- ⑫ BORDER-UPPER RETURN
- ⑬ BORDER-UPPER FRONT
- ⑭ BORDER-BOTTOM RETURN
- ⑰ COUNTERTOP GABLE

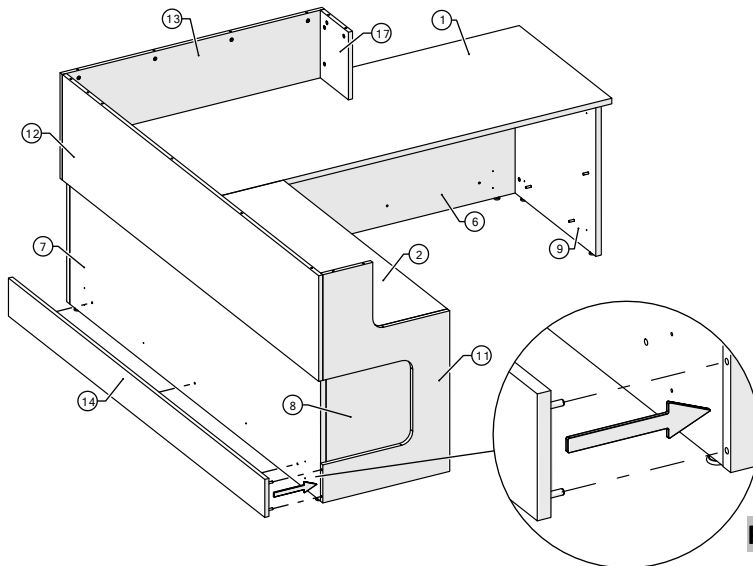


Figure 24

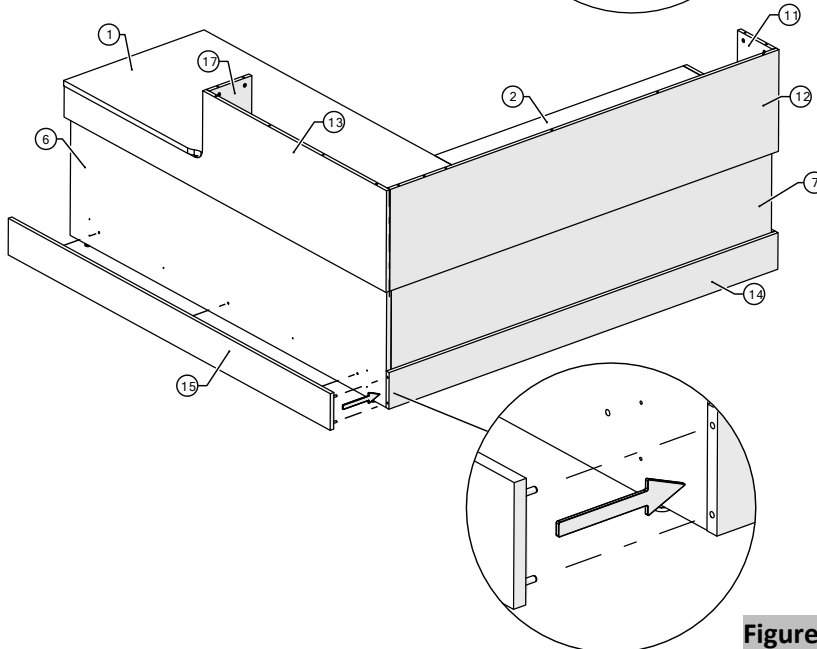
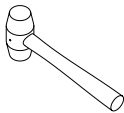


Figure 25

Tools & Hardware Needed

				
Rubber Mallet				

Maeva Reception Station – L-shaped

25. Connect the border-gable RH to the border-upper front and border-bottom front and press tightly together by inserting the wooden dowels into the side holes of the border-gable RH (Figure 26).

26. Push the wooden dowels with a wooden dowel and rubber mallet to hold the border-gable RH (Figure 27).

Continued on the next page >>

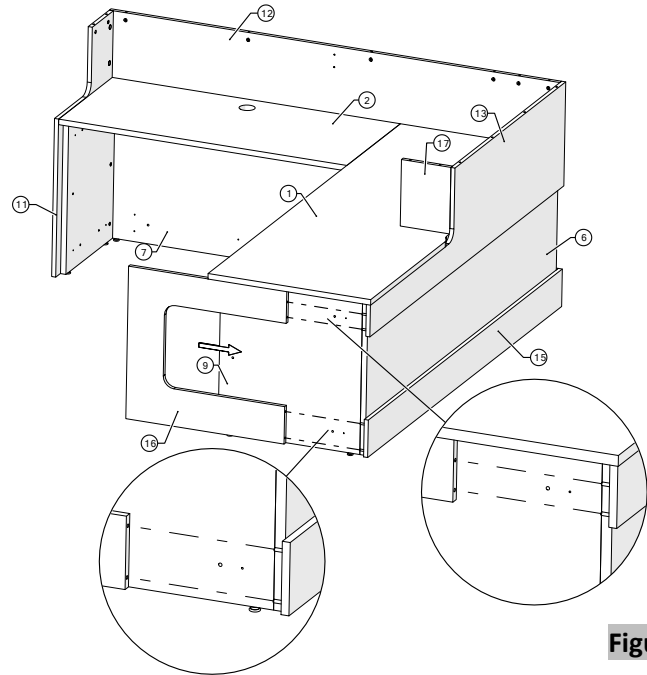


Figure 26

- ① WORKSURFACE (LH SHOWN)
- ② WORKSURFACE RETURN
- ④ WOODEN DOWEL
- ⑥ MODESTY FRONT
- ⑦ MODESTY RETURN
- ⑧ GABLE LH
- ⑨ GABLE RH
- ⑪ BORDER-GABLE LH
- ⑫ BORDER-UPPER RETURN
- ⑬ BORDER-UPPER FRONT
- ⑭ BORDER-BOTTOM RETURN
- ⑮ BORDER-BOTTOM FRONT
- ⑰ COUNTERTOP GABLE

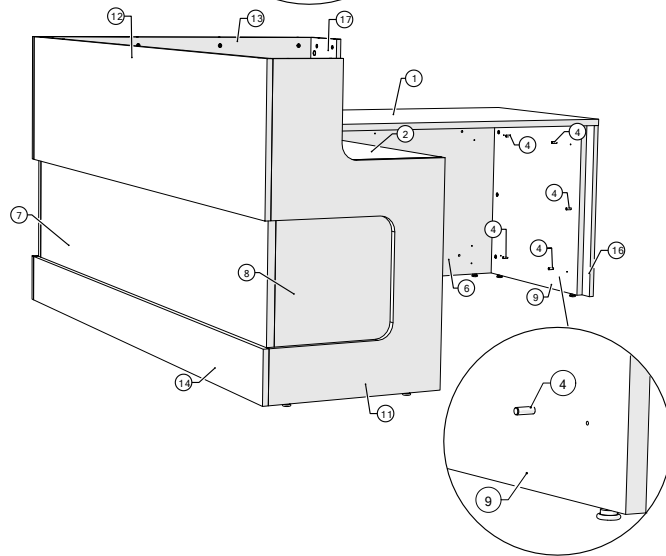
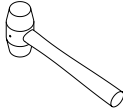


Figure 27

Tools & Hardware Needed

	8540-0770			
Rubber Mallet	Wooden Dowel, 8mm Dia. x30mm L			

Maeva Reception Station – L-shaped

27. Screw in #8 x 1-1/2" Flat Head Screws into the pre-drilled holes to secure the border-gable LH, border-upper return, border-bottom return, border-upper front, border-bottom front, and border-gable RH (Figures 28, 29 and 30).

Continued on the next page >>

- ① WORKSURFACE (LH SHOWN)
- ② WORKSURFACE RETURN
- ④ WOODEN DOWEL
- ⑥ MODESTY FRONT
- ⑦ MODESTY RETURN
- ⑧ GABLE LH
- ⑨ GABLE RH
- ⑪ BORDER-GABLE LH
- ⑫ BORDER-UPPER RETURN
- ⑬ BORDER-UPPER FRONT
- ⑭ BORDER-BOTTOM RETURN
- ⑯ BORDER-GABLE RH
- ⑰ COUNTERTOP GABLE

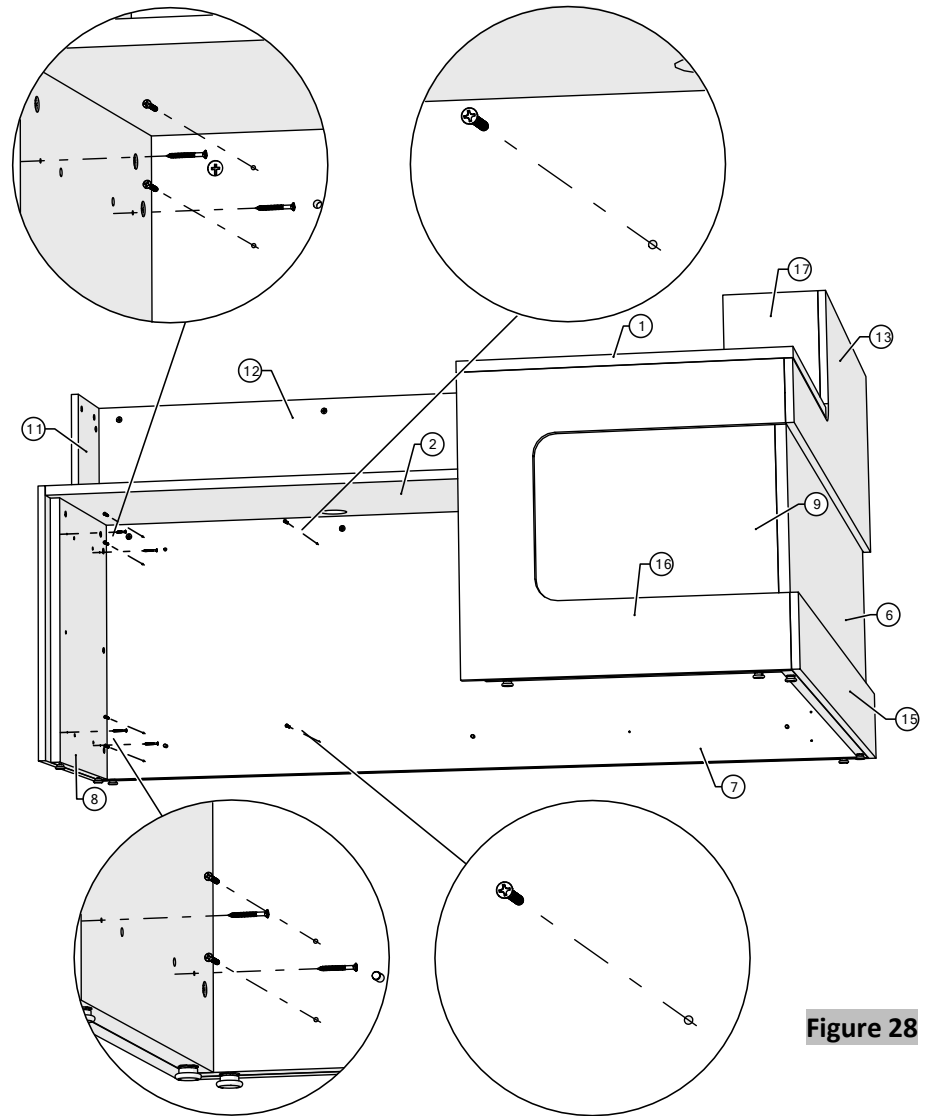
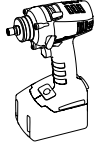

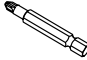



Figure 28

Tools & Hardware Needed

			8540-0591 	
Drill	Robertson #2 Long Bit	Phillips Bit	#8 x 1-1/2" Flat Head Screw	

Maeva Reception Station – L-shaped

Continued on the next page >>

- ① WORKSURFACE (LH SHOWN)
- ② WORKSURFACE RETURN
- ⑥ MODESTY FRONT
- ⑦ MODESTY RETURN
- ⑧ GABLE LH
- ⑨ GABLE RH
- ⑪ BORDER-GABLE LH
- ⑫ BORDER-UPPER RETURN
- ⑬ BORDER-UPPER FRONT
- ⑭ BORDER-BOTTOM RETURN
- ⑮ BORDER-BOTTOM RETURN
- ⑯ BORDER-GABLE RH
- ⑰ COUNTERTOP GABLE

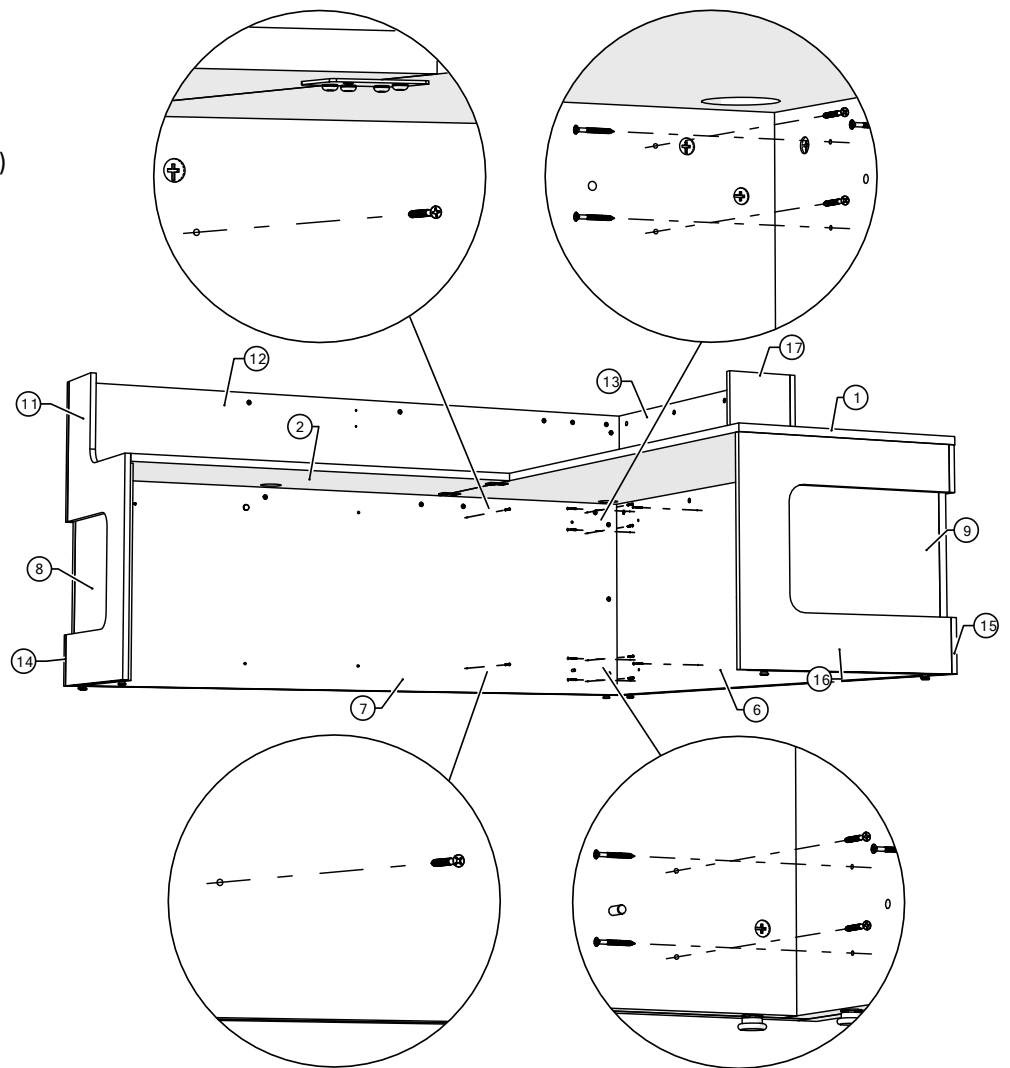
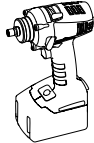

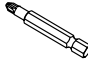



Figure 29

Tools & Hardware Needed

			8540-0591 	
Drill	Robertson #2 Long Bit	Phillips Bit	#8 x 1-1/2" Flat Head Screw	

Maeva Reception Station – L-shaped

Continued on the next page >>

- ① WORKSURFACE (LH SHOWN)
- ② WORKSURFACE RETURN
- ⑥ MODESTY FRONT
- ⑦ MODESTY RETURN
- ⑧ GABLE LH
- ⑨ GABLE RH
- ⑪ BORDER-GABLE LH
- ⑫ BORDER-UPPER RETURN
- ⑬ BORDER-UPPER FRONT
- ⑭ BORDER-BOTTOM RETURN
- ⑯ BORDER-GABLE RH
- ⑰ COUNTERTOP GABLE

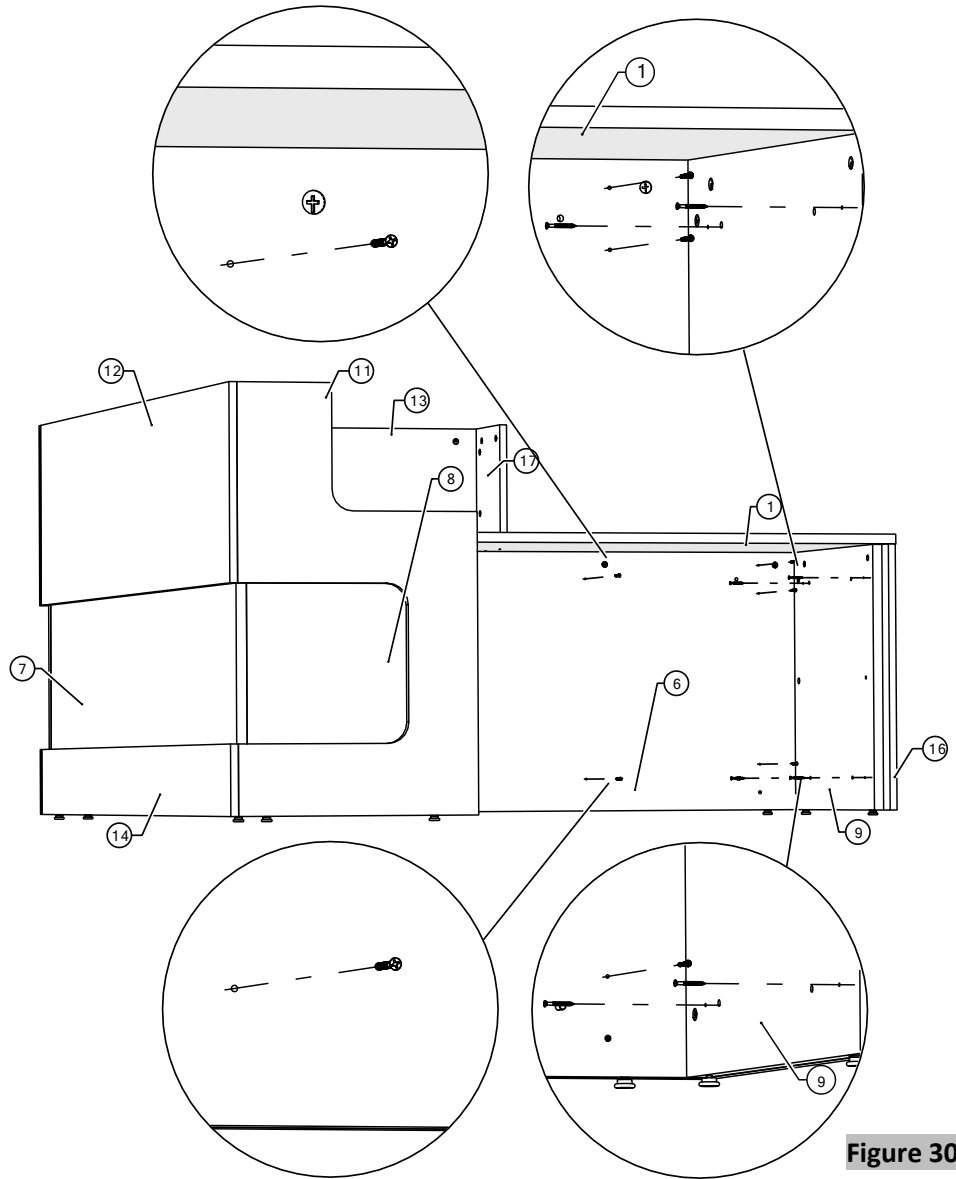
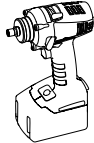

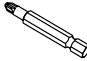



Figure 30

Tools & Hardware Needed

			8540-0591 	
Drill	Robertson #2 Long Bit	Phillips Bit	#8 x 1-1/2" Flat Head Screw	

Maeva Reception Station – L-shaped

28. Securely fasten the countertop gable to the worksurface using #8 x 1-1/2" Flat Head Screws (Figure 31).

29. Screw in combi dowels into the pre-drilled 5 mm holes of the countertop (Figure 32).

Continued on the next page >>

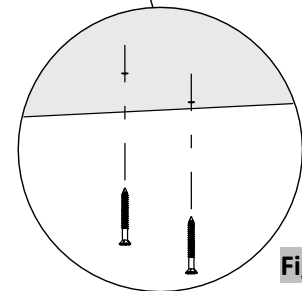
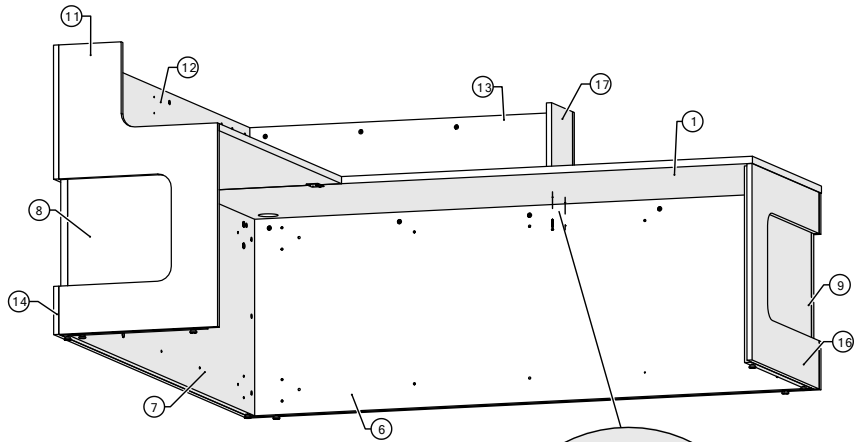


Figure 31

- ① WORKSURFACE (LH SHOWN)
- ② WORKSURFACE RETURN
- ③ COMBI DOWEL
- ⑥ MODESTY FRONT
- ⑦ MODESTY RETURN
- ⑧ GABLE LH
- ⑨ GABLE RH
- ⑪ BORDER-GABLE LH
- ⑫ BORDER-UPPER RETURN
- ⑬ BORDER-UPPER FRONT
- ⑭ BORDER-BOTTOM RETURN
- ⑯ BORDER-GABLE RH
- ⑰ COUNTERTOP GABLE
- ⑱ COUNTERTOP

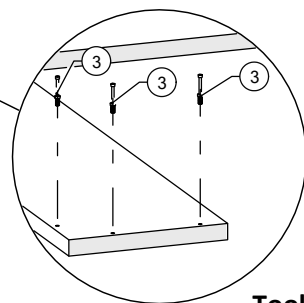
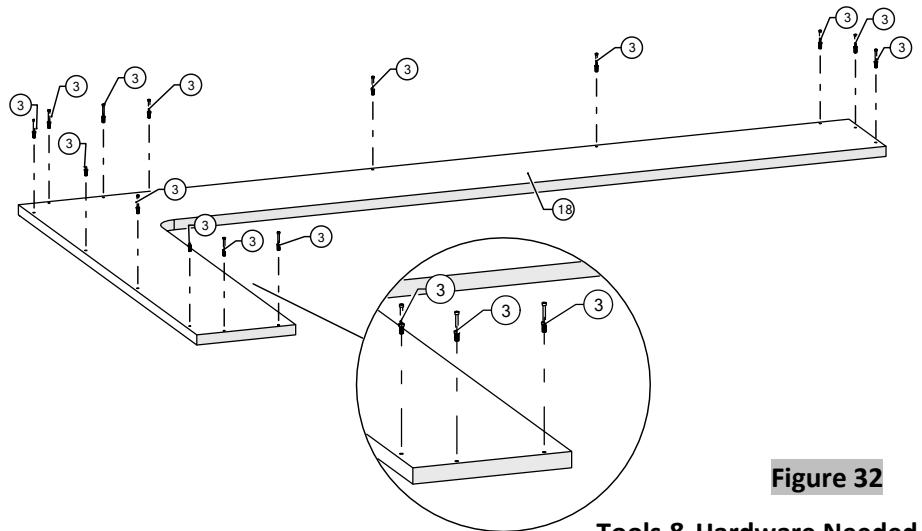
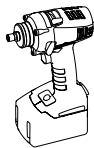

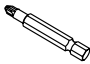
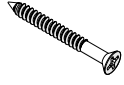
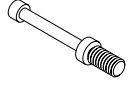


Figure 32

Tools & Hardware Needed

			8540-0591 	8540-1278 
Drill	Robertson #2 Long Bit	Phillips Bit	#8 x 1-1/2" Flat Head Screw	Combi Dowel, 8mm x 34mm

Maeva Reception Station – L-shaped

30. Connect the countertop to the countertop gable, border-gable LH, border-upper front, and border-upper return and press tightly together by inserting the combi dowels into the top holes (Figure 33).

31. Turn the Cams using a screwdriver in a clockwise direction to smoothly lock the countertop, border-gable LH, border-upper return, border-upper front, and countertop gable together (Figure 34).

Continued on the next page >>

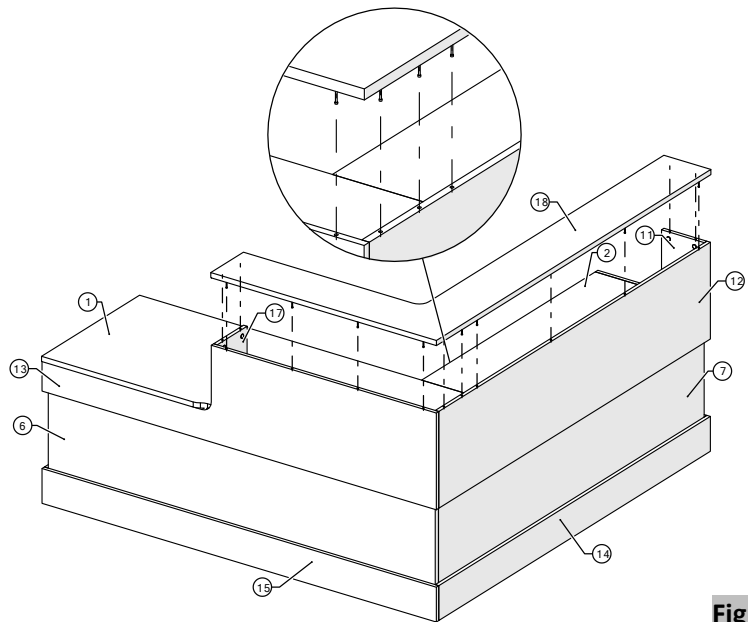


Figure 33

- ① WORKSURFACE (LH SHOWN)
- ② WORKSURFACE RETURN
- ⑥ MODESTY FRONT
- ⑦ MODESTY RETURN
- ⑧ GABLE LH
- ⑨ GABLE RH
- ⑪ BORDER GABLE LH
- ⑫ BORDER-UPPER RETURN
- ⑬ BORDER-UPPER FRONT
- ⑭ BORDER-BOTTOM RETURN
- ⑯ BORDER-GABLE RH
- ⑰ COUNTERTOP GABLE
- ⑱ COUNTERTOP

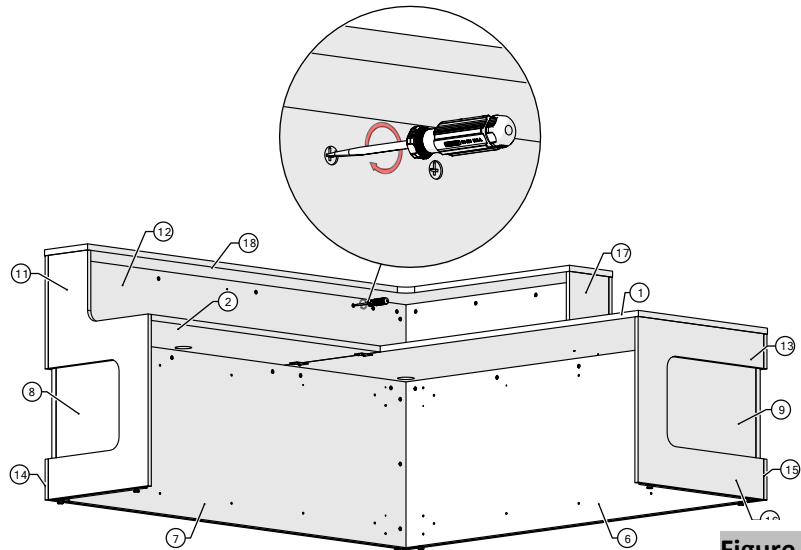
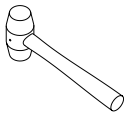
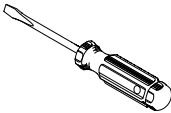


Figure 34

Tools & Hardware Needed

				
Rubber Mallet	Flat Screw Driver			

Maeva Reception Station – L-shaped

32. Stick the fastcaps onto all visible holes, screws and Cams (Figure 35).

33. Insert the grommets into the grommet holes (Figure 36).

Continued on the next page >>

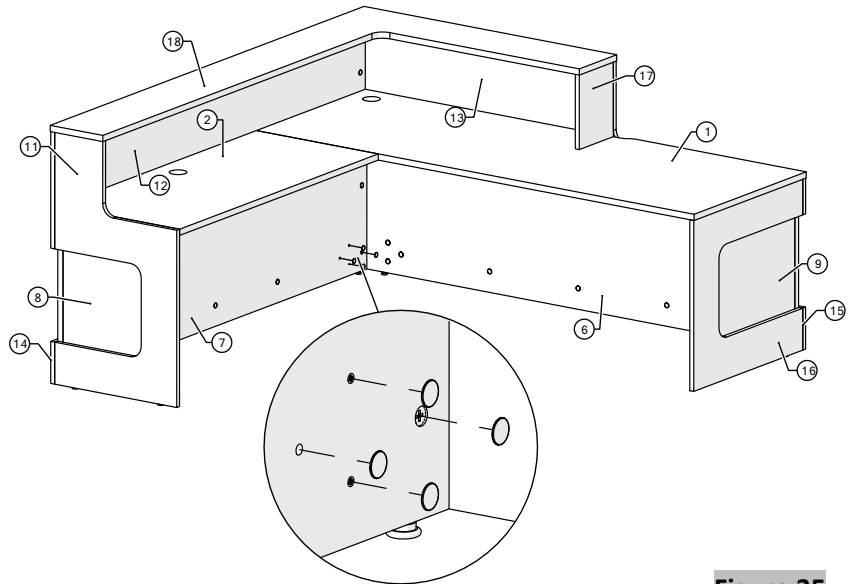


Figure 35

- ① WORKSURFACE (LH SHOWN)
- ② WORKSURFACE RETURN
- ④ WOODEN DOWEL
- ⑥ MODESTY FRONT
- ⑦ MODESTY RETURN
- ⑧ GABLE LH
- ⑨ GABLE RH
- ⑪ BORDER GABLE LH
- ⑫ BORDER-UPPER RETURN
- ⑬ BORDER-UPPER FRONT
- ⑭ BORDER-BOTTOM RETURN
- ⑯ BORDER-GABLE RH
- ⑰ COUNTERTOP GABLE
- ⑱ COUNTERTOP
- ⑲ GROMMET

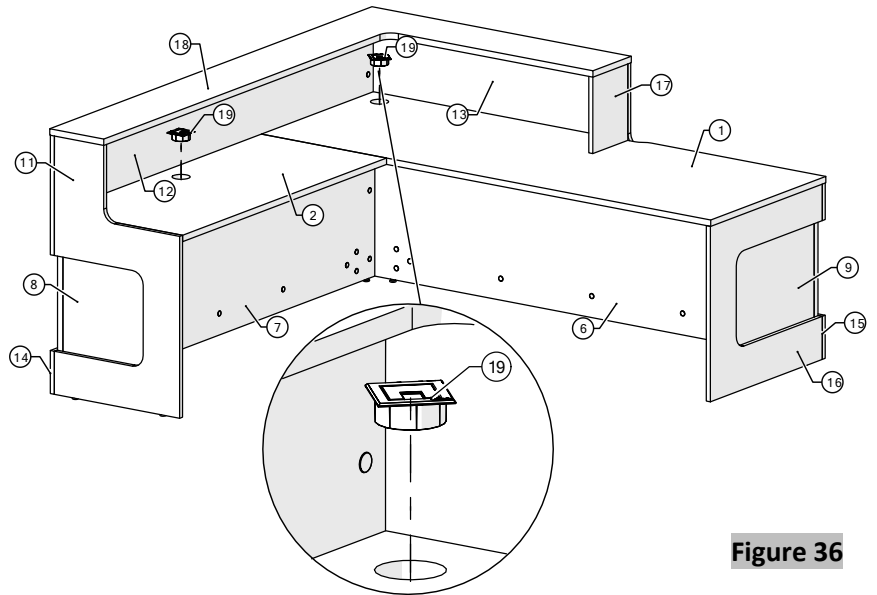



Figure 36

Tools & Hardware Needed

8544-XXXX				
				
Fastcap				

Maeva Reception Station – L-shaped

34. Align holes in the countertop bracket to pre-drilled holes of the border-upper return; screw two #10 x 11/16" Pan Head Screws into the pre-drilled holes (Figure 37).

35. Securely fasten the countertop brackets to the countertop using #10 x 11/16" Pan Head Screws.

36. Install the cantilever support at the mid-span of the worksurface using #10 x 11/16" Pan Head Screws (Figure 37A).

Note: The cantilever support will be on 84"–96" wide units, not 72" wide.

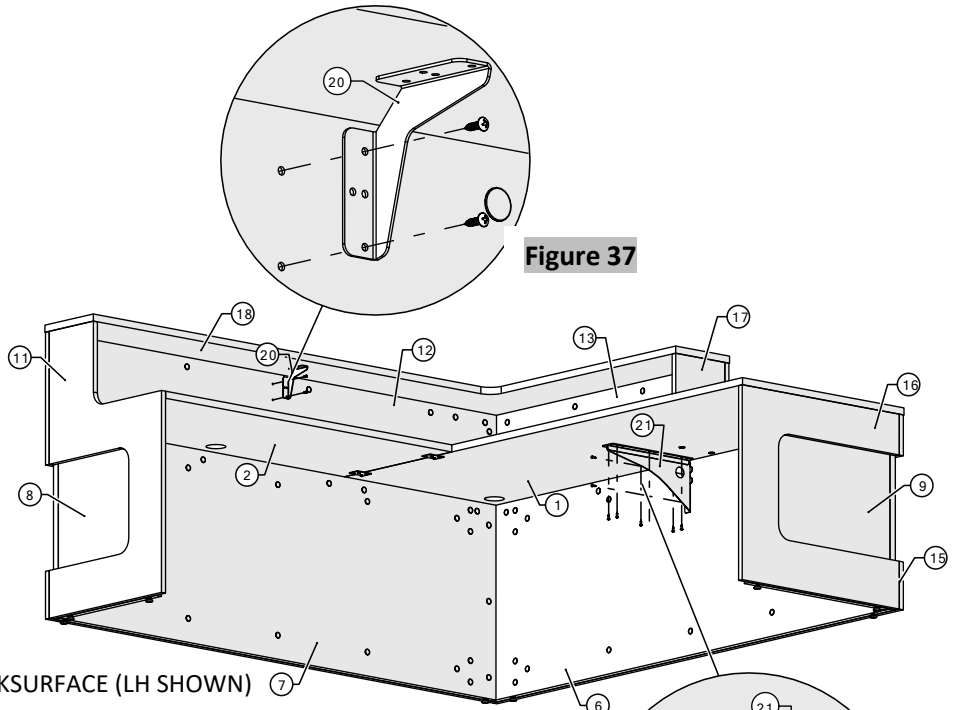


Figure 37

Continued on the next page >>

- ① WORKSURFACE (LH SHOWN)
- ② WORKSURFACE RETURN
- ⑥ MODESTY FRONT
- ⑦ MODESTY RETURN
- ⑧ GABLE LH
- ⑨ GABLE RH
- ⑪ BORDER GABLE LH
- ⑫ BORDER-UPPER RETURN
- ⑬ BORDER-UPPER FRONT
- ⑭ BORDER-BOTTOM RETURN
- ⑯ BORDER-GABLE RH
- ⑰ COUNTERTOP GABLE
- ⑳ COUNTERTOP BRACKET
- ㉑ CANTILEVER SUPPORT

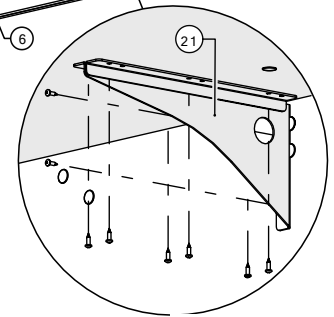
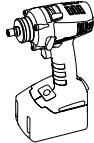


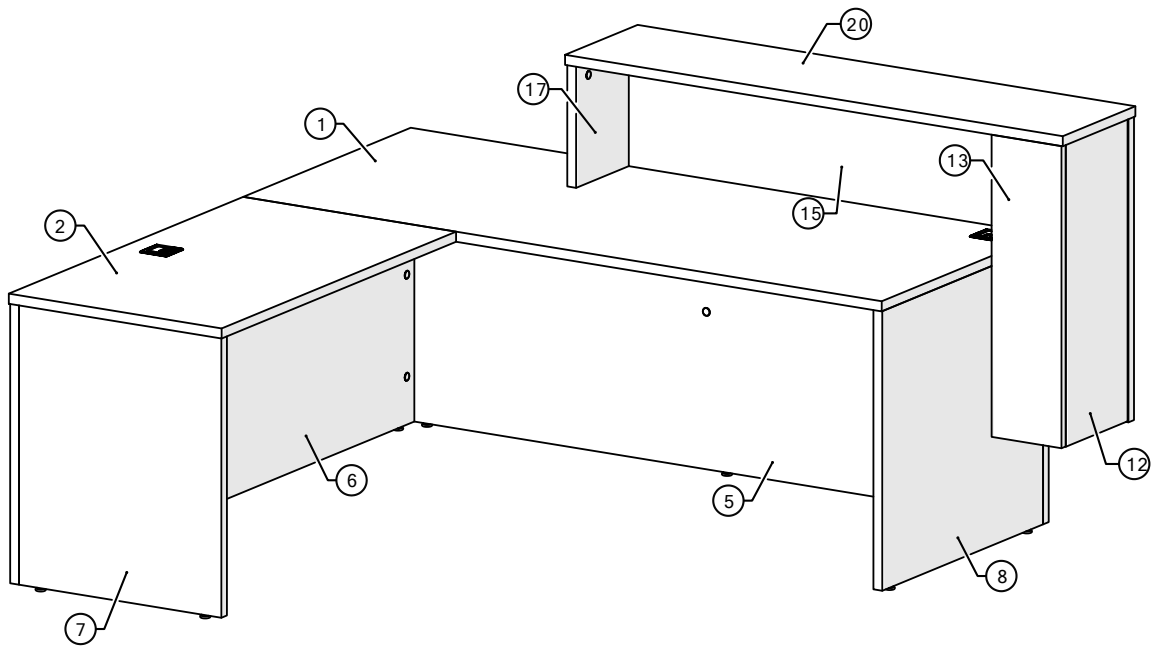


Figure 37 A

Tools & Hardware Needed

		8540-0545 		
Drill	Robertson #2 Long Bit	#10 x 11/16", Pan Head Screw		

Aloha Reception Station – L-shaped



- ① WORKSURFACE
- ② WORKSURFACE RETURN
- ⑤ MODESTY FRONT
- ⑥ MODESTY RETURN
- ⑦ GABLE LH
- ⑧ GABLE RH
- ⑫ EXTENDED WATERFALL BOX
- ⑬ WATERFALL COVER
- ⑮ WATERFALL FALSE BACK
- ⑰ COUNTERTOP GABLE
- ⑳ COUNTERTOP

Aloha Reception Station – L-shaped

NOTE: A minimum of two people are required to perform this installation.

- 1.** Place the worksurfaces face down on a clean solid surface or floor with the underside facing up (Figure 1).
- 2.** Screw in combi dowels into the pre-drilled 5 mm holes of the worksurfaces (Figure 2).

Continued on the next page >>

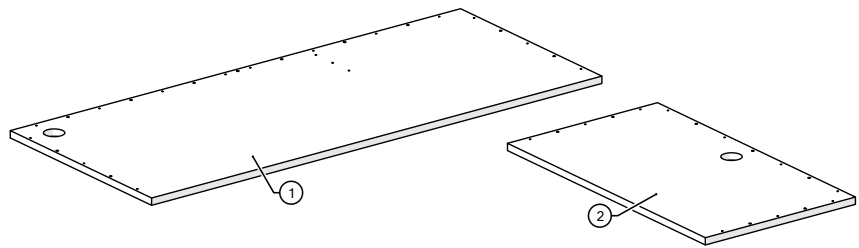
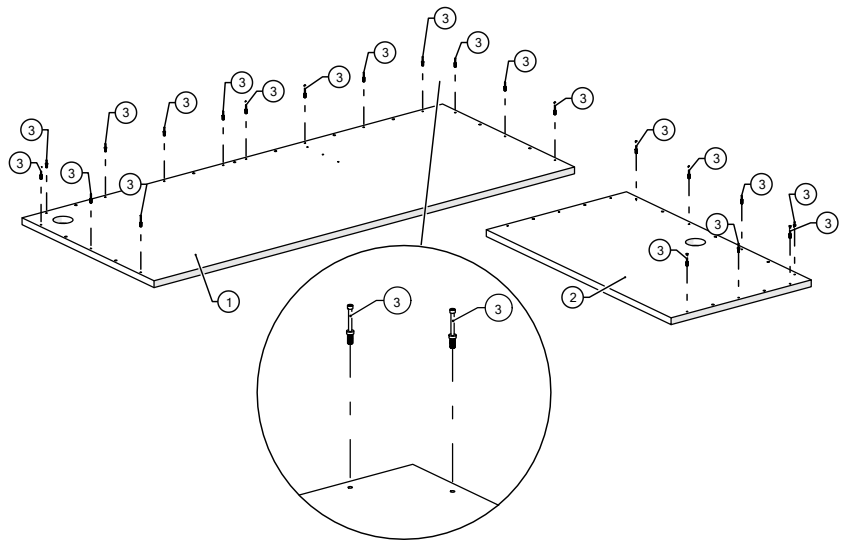


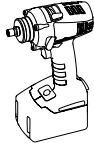

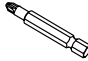
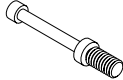
Figure 1



- ① WORKSURFACE
- ② WORKSURFACE RETURN
- ③ COMBI DOWEL

Figure 2

Tools & Hardware Needed

			8540-1278 	
Drill	Robertson #2 Long Bit	Phillips Bit	Combi Dowel, 8mm x 34mm	

Aloha Reception Station – L-shaped

3. Push the wooden dowels into the pre-drilled 8 mm holes of the worksurfaces and then lightly tap with a rubber mallet to hold them firmly (Figure 3).
4. Screw in combi dowels into the pre-drilled 5 mm holes of the modesty front and modesty return (Figure 4).

Continued on the next page >>

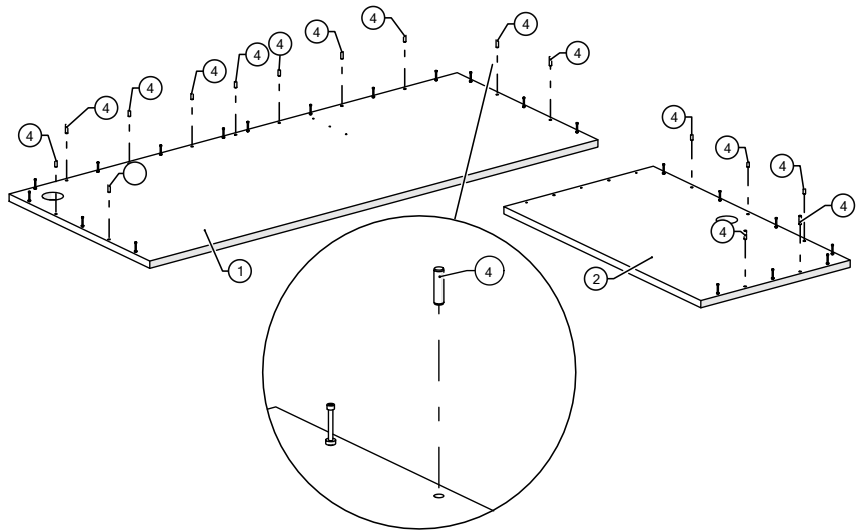


Figure 3

- 1 WORKSURFACE
- 2 WORKSURFACE RETURN
- 3 COMBI DOWEL
- 4 WOODEN DOWEL
- 5 MODESTY FRONT
- 6 MODESTY RETURN

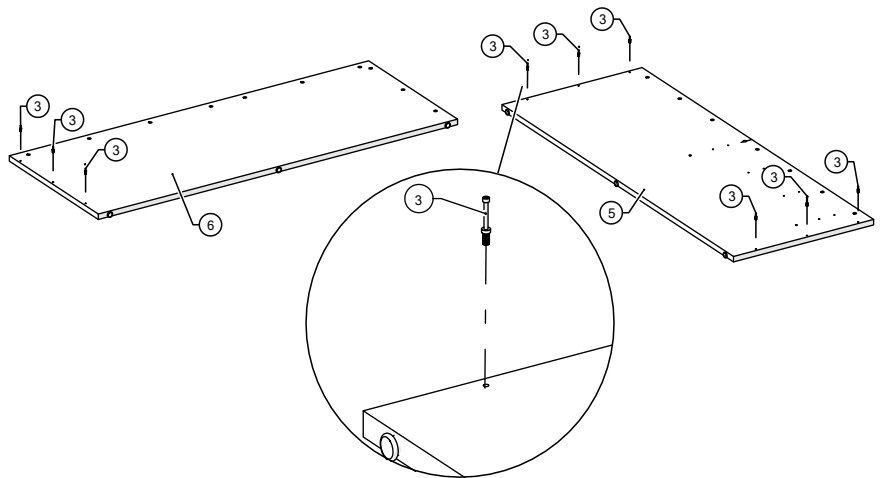
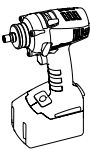

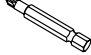
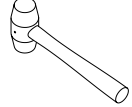
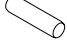
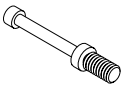


Figure 4

Tools & Hardware Needed

				8540-0770 
Drill	Robertson #2 Long Bit	Phillips Bit	Rubber Mallet	Wooden Dowel, 8mm Dia. x30mm L
8540-1278 				
Combi Dowel, 8mm x 34mm				

Aloha Reception Station – L-shaped

5. Place Cams into the holes of the modesty front, modesty return, gable LH, and gable RH; make sure that the arrow on the face of the connector points toward the laminate board (Figure 5).
6. Connect the modesty front, modesty return, gable LH, and gable RH and press tightly together by inserting the combi dowels into the side holes (Figure 6).

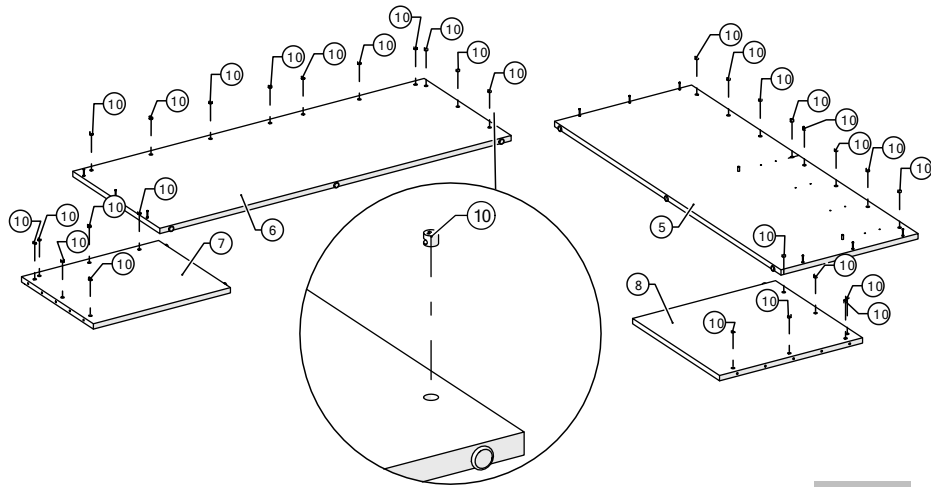


Figure 5

- 5 MODESTY FRONT
- 6 MODESTY RETURN
- 7 GABLE LH
- 8 GABLE RH
- 10 CAM

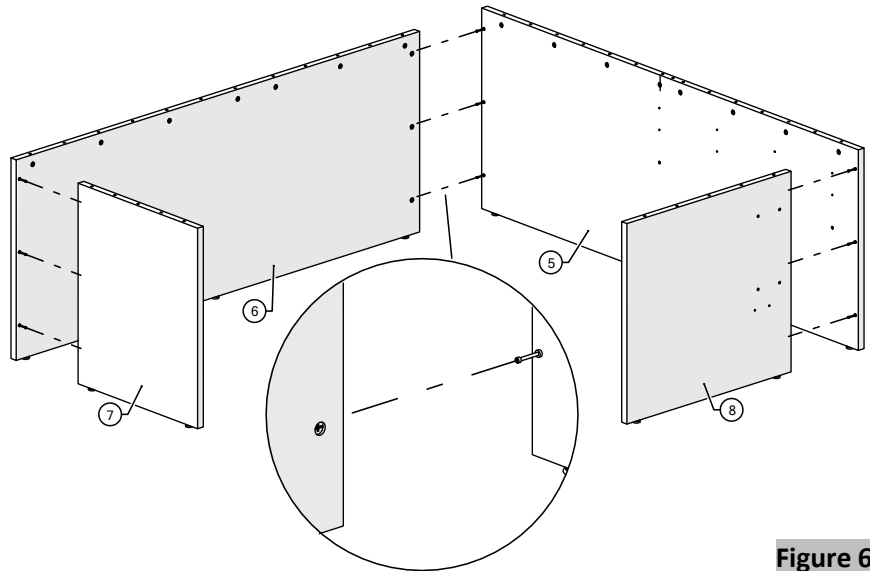
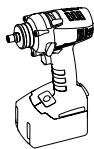
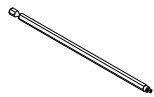

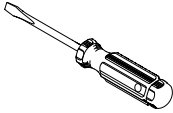



Figure 6

Tools & Hardware Needed

				8540-1366 
Drill	Robertson #2 Long Bit	Phillips Bit	Flat Screw Driver	Cam

Aloha Reception Station – L-shaped

7. Turn the Cams using a screwdriver in a clockwise direction to smoothly lock the modesty front, modesty return, gable LH, and gable RH together (Figure 7).
8. Connect the worksurfaces to the assembled unit (modesty front, modesty return, gable LH, and gable RH), and then press tightly together by inserting the combi dowels and wooden dowels into the top holes (Figure 8).

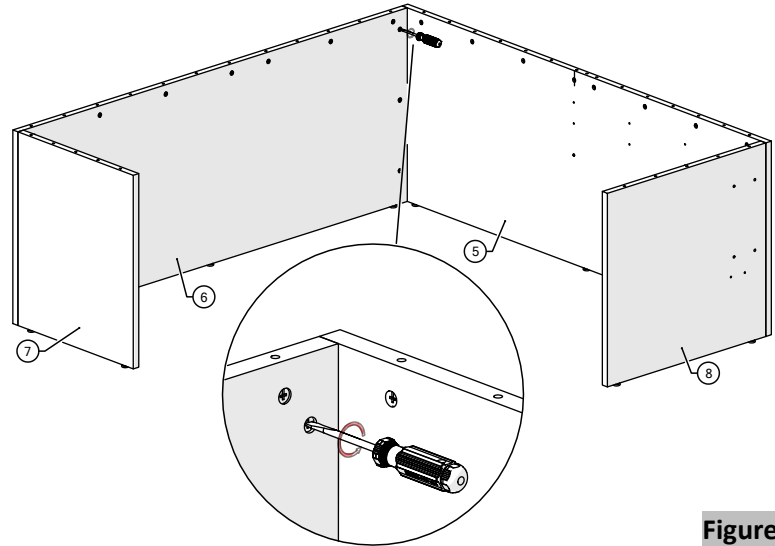


Figure 7

Continued on the next page >>

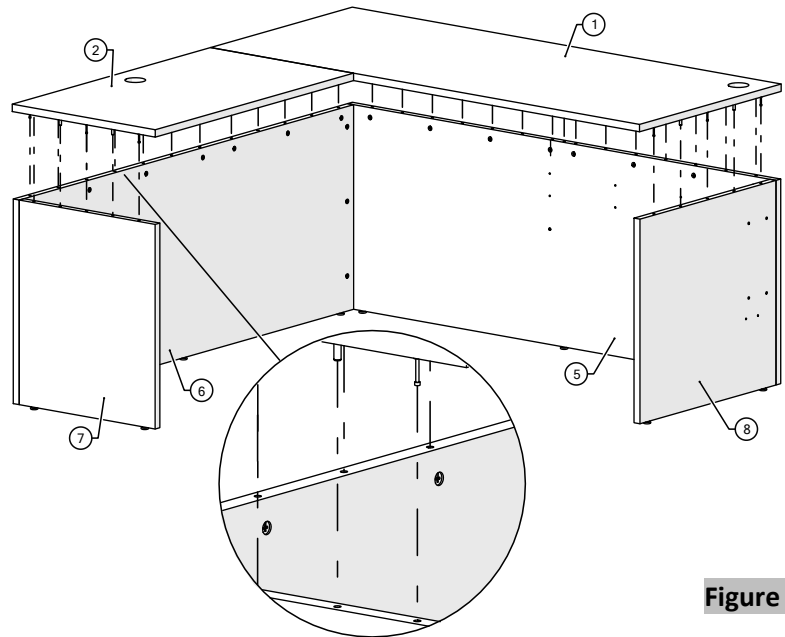
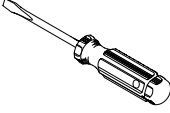


Figure 8

- ⑥ MODESTY FRONT
- ⑦ MODESTY RETURN
- ⑧ GABLE LH
- ⑨ GABLE RH

Tools & Hardware Needed

				
Flat Screw Driver				

Aloha Reception Station – L-shaped

9. Turn the Cams using a screwdriver in a clockwise direction to smoothly lock the assembled unit and worksurfaces together (Figure 9).

10. Attach the mending plates to worksurfaces using #10 x 1" Pan Head Screws (Figure 10).

11. Level the assembled unit and adjust the glides, if necessary.

Continued on the next page >>

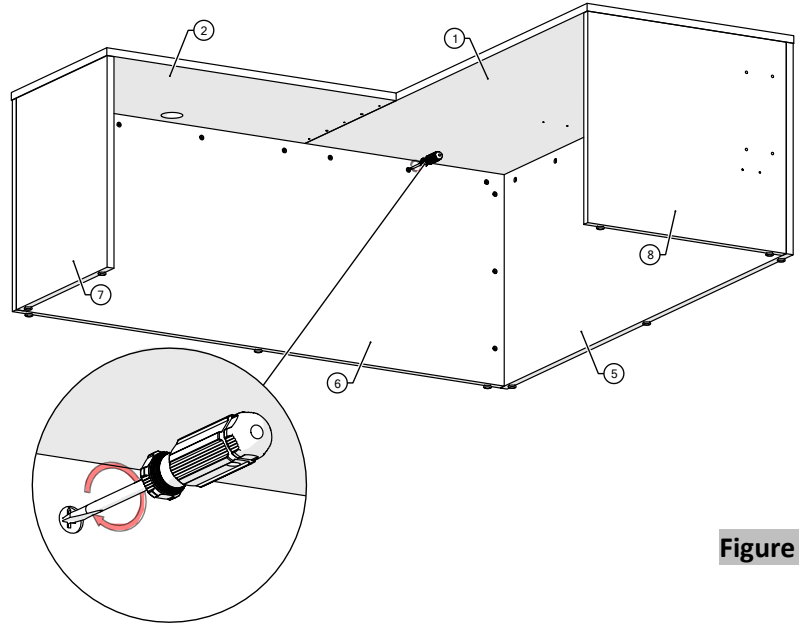


Figure 9

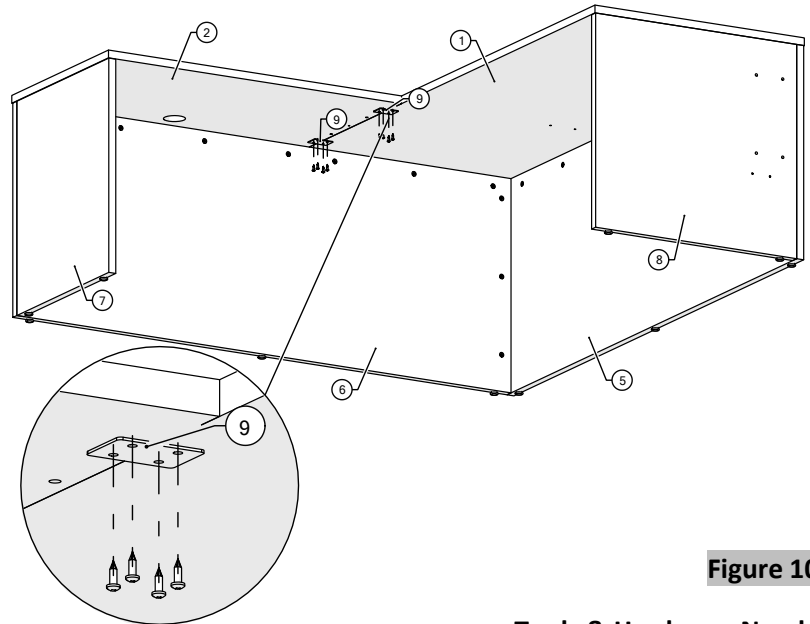
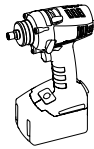

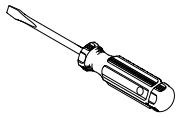
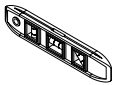
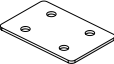



Figure 10

- ① WORKSURFACE
- ② WORKSURFACE RETURN
- ⑤ MODESTY FRONT
- ⑥ MODESTY RETURN
- ⑦ GABLE LH
- ⑧ GABLE RH
- ⑨ MENDING PLATE

Tools & Hardware Needed

				MENDPLATE-BLK 
Drill	Robertson #2 Long Bit	Flat Screw Driver	Torpedo Level	Mending Plate
8540-0789 				
#10 X 1" Pan Head Screw, RB2, Black				

Aloha Reception Station – L-shaped

12. Push the wooden dowels into the pre-drilled 8 mm holes of the modesty cleat, and waterfall cleat, and then lightly tap with a rubber mallet to hold them firmly (Figure 11).

13. Attach the modesty cleat to the modesty front, and press tightly together by inserting the wooden dowels into the 8 mm holes of the modesty return (Figure 12).

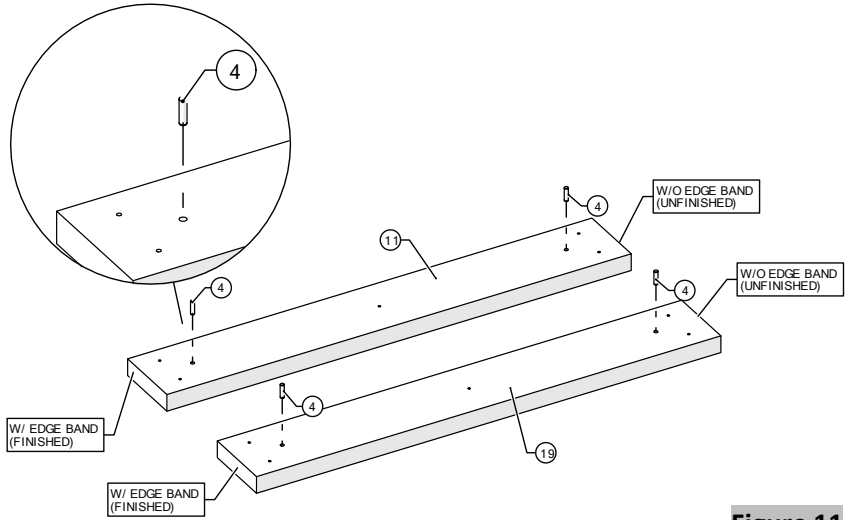


Figure 11

Continued on the next page >>

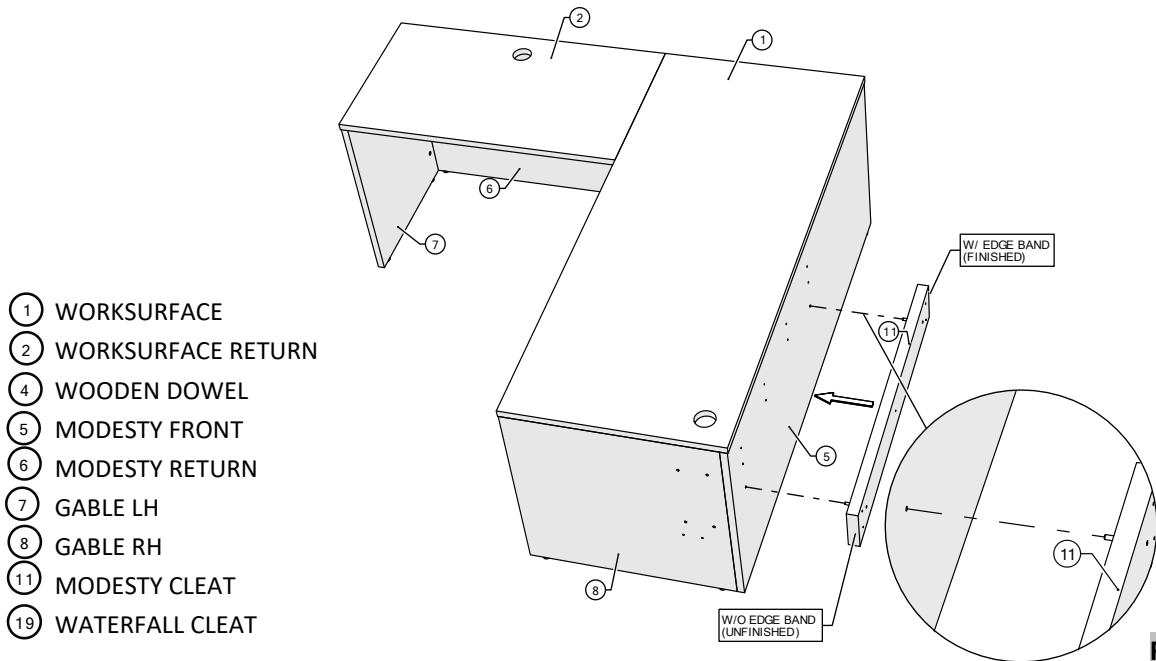
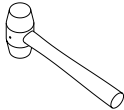


Figure 12

Tools & Hardware Needed

	8540-0770			
Rubber Mallet	Wooden Dowel, 8mm Dia. x30mm L			

Aloha Reception Station – L-shaped

- 14.** Remove the waterfall cover by pulling it. Set aside the waterfall cover.
- 15.** Screw in #8 x 2" Flat Head Screws into the pre-drilled holes to secure the modesty cleat (Figure 13).
- 16.** Screw in quickfit dowel into the upper hole of the extended waterfall box (Figure 14).
- 17.** Push the wooden dowels into the pre-drilled 8 mm holes of the extended waterfall box and then lightly tap with a rubber mallet to hold them firmly (Figure 14A).

Continued on the next page >>

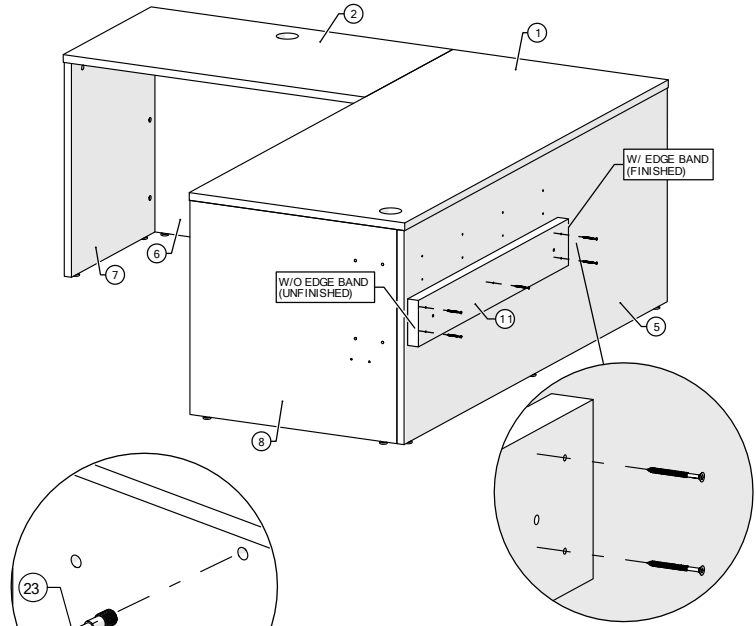


Figure 13

Figure 14

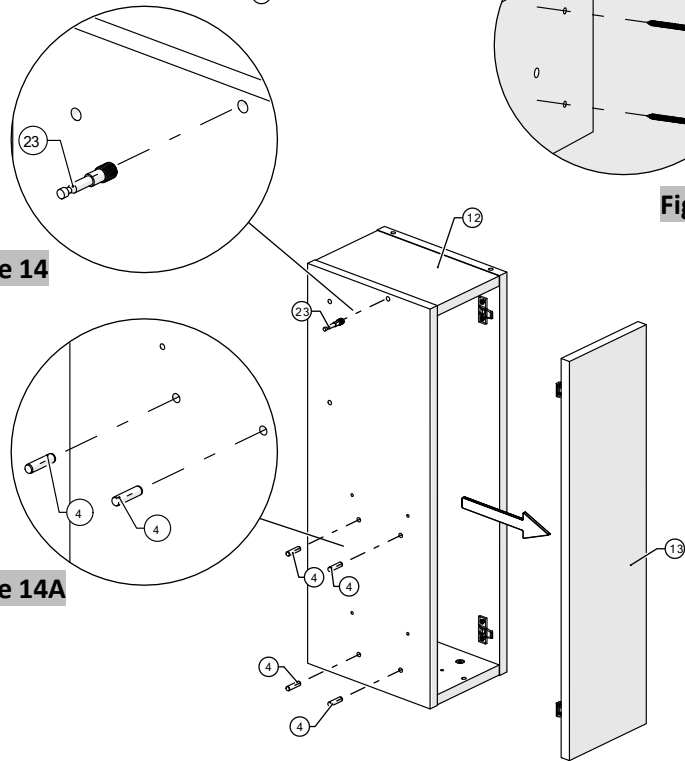
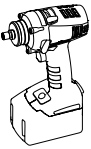


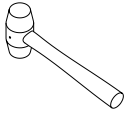
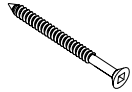




Figure 14A

- ① WORKSURFACE
- ② WORKSURFACE RETURN
- ④ WOODEN DOWEL
- ⑤ MODESTY FRONT
- ⑥ MODESTY RETURN
- ⑦ GABLE LH
- ⑧ GABLE RH
- ⑪ MODESTY CLEAT
- ⑫ EXTENDED WATERFALL BOX
- ⑬ WATERFALL COVER
- ⑳ QUICKFIT DOWEL

Tools & Hardware Needed

				8540-1004 
Drill	Robertson #2 Long Bit	Phillips Bit	Rubber Mallet	#8 x 2" Flat Head Screw
8540-0728 	8540-0770 			
Quickfit Dowel	Wooden Dowel, 8mm Dia. x30mm L			

Aloha Reception Station – L-shaped

18. Attached the 90-degree connector to gable RH using #10 x 11/16" Pan Head Screws (Figure 15).

19. Connect the extended waterfall box to the gable RH and press tightly together by inserting the wooden dowels into the holes of the gable RH (Figure 16).

Continued on the next page >>

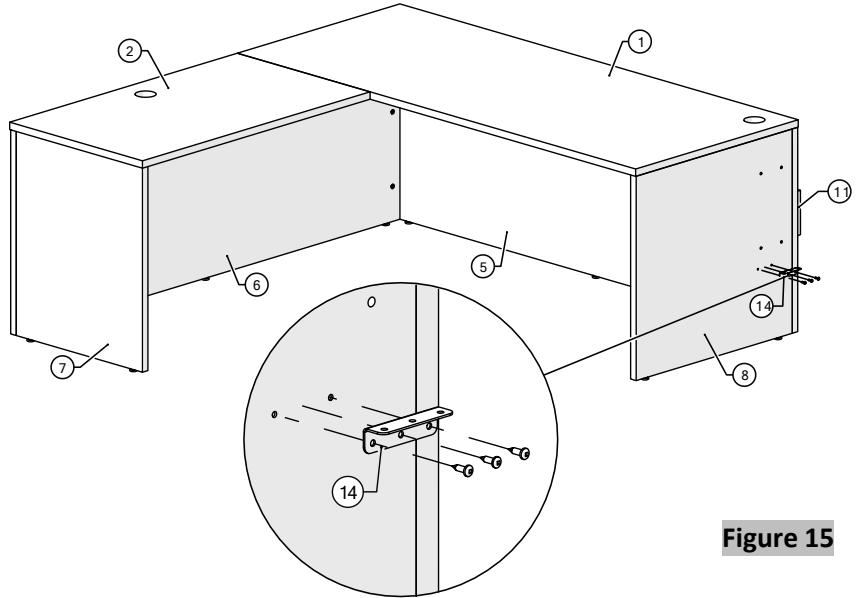


Figure 15

- ① WORKSURFACE
- ② WORKSURFACE RETURN
- ⑤ MODESTY FRONT
- ⑥ MODESTY RETURN
- ⑦ GABLE LH
- ⑧ GABLE RH
- ⑪ MODESTY CLEAT
- ⑫ EXTENDED WATERFALL BOX
- ⑭ 90° CONNECTOR

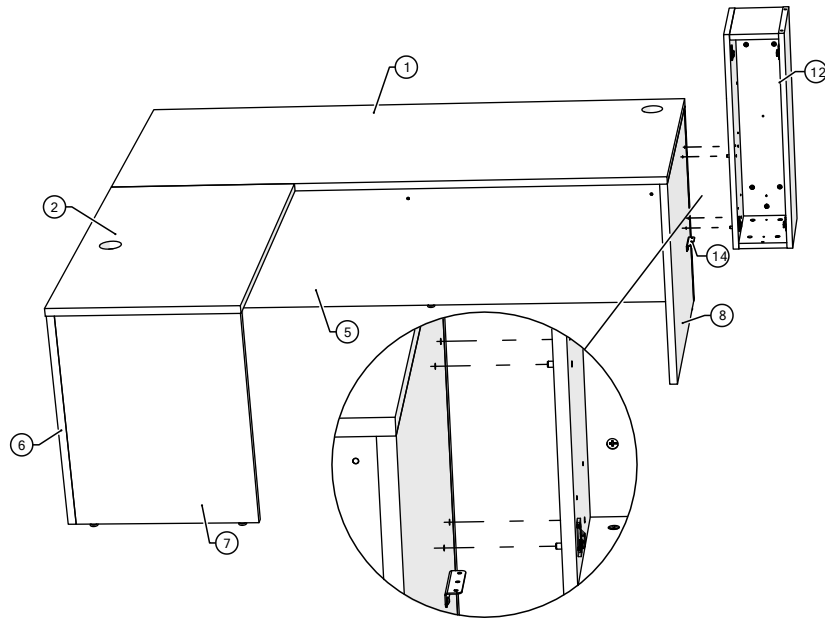
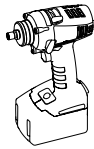


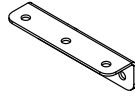



Figure 16

Tools & Hardware Needed

			90-3B6H-P114 	8540-0545 
Drill	Robertson #2 Long Bit	Phillips Bit	90° Connector	#10 x 11/16", Pan Head Screw

Aloha Reception Station – L-shaped

20. Screw in #8 x 1-1/4" Pan Head Self-Drilling Screws into the pre-drilled side holes of the extended waterfall box (Figures 17 and 17A).

21. Screw in #10 x 11/16" Pan Head Screws into the holes of the 90-degree bracket to secure the extended waterfall box (Figure 17C).

Continued on the next page >>

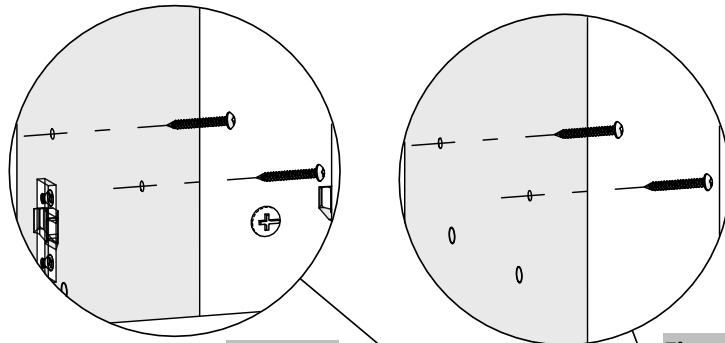


Figure 17

Figure 17A

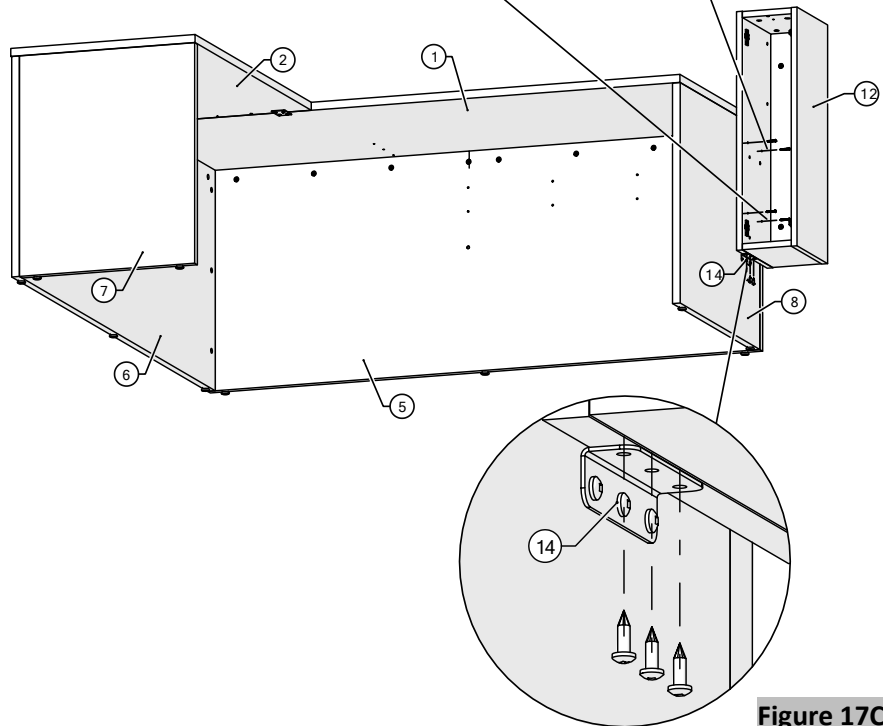
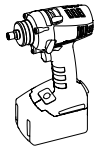

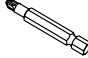




Figure 17C

- ① WORKSURFACE
- ② WORKSURFACE RETURN
- ⑤ MODESTY FRONT
- ⑥ MODESTY RETURN
- ⑦ GABLE LH
- ⑧ GABLE RH
- ⑫ EXTENDED WATERFALL BOX
- ⑭ 90° CONNECTOR

Tools & Hardware Needed

			8540-0595 	8540-0545 
Drill	Robertson #2 Long Bit	Phillips Bit	#8 x 1-1/4" Pan Head, Self-Drilling	#10 x 11/16", Pan Head Screw

Aloha Reception Station – L-shaped

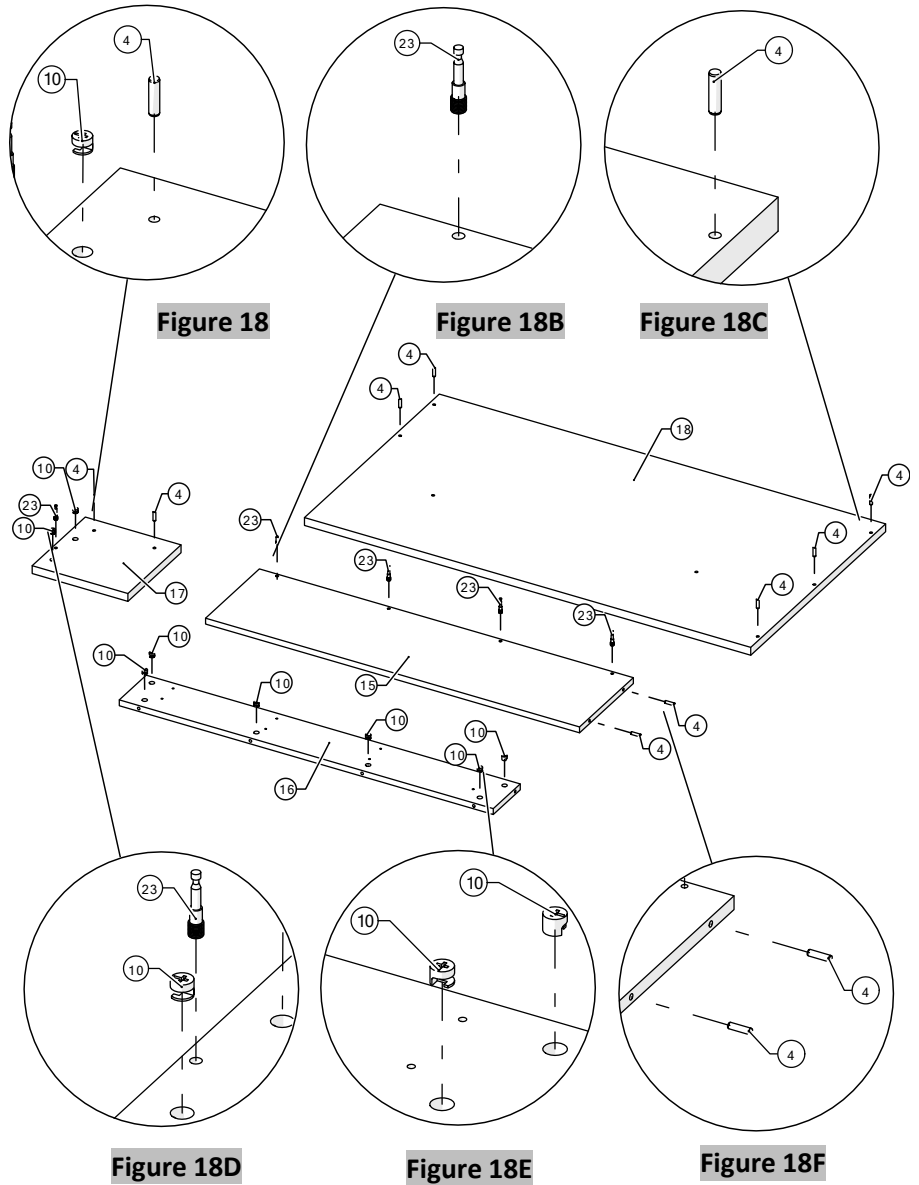
22. Place Cams into the holes of the countertop gable and waterfall false support; make sure that the arrow on the face of the connector points toward the laminate board (Figures 18, 18D, and 18E).

23. Push the wooden dowels into the pre-drilled 8 mm holes of the countertop gable, waterfall front, and waterfall false back, and then lightly tap with a rubber mallet to hold them firmly (Figures 18, 18C, and 18F).

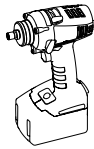

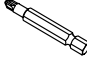
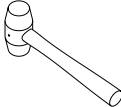
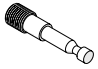


24. Screw in quickfit dowels into the pre-drilled holes of the countertop gable and waterfall false back (Figures 18B and 18D).

Continued on the next page >>

- ④ WOODEN DOWEL
- ⑩ CAM
- ⑮ WATERFALL FALSE BACK
- ⑯ WATERFALL FALSE SUPPORT
- ⑱ WATERFALL FRONT
- ⑳ QUICKFIT DOWEL



Tools & Hardware Needed

				8540-0728 
Drill	Robertson #2 Long Bit	Phillips Bit	Rubber Mallet	Quickfit Dowel
8540-0770 	8540-1366 			
Wooden Dowel, 8mm Dia. x30mm L	Cam			

Aloha Reception Station – L-shaped

- 25.** Connect the waterfall false back to the waterfall false support and press tightly together by inserting the wooden dowels into the 8mm holes of the waterfall false support (Figure 19).
- 26.** Turn the Cams using a screwdriver in a clockwise direction to smoothly lock the waterfall false back and waterfall false support together (Figure 20).

Continued on the next page >>

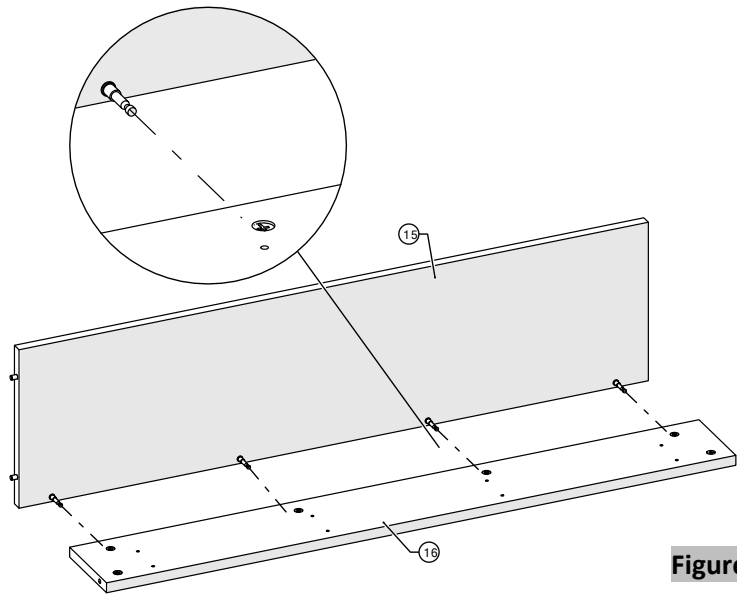


Figure 19

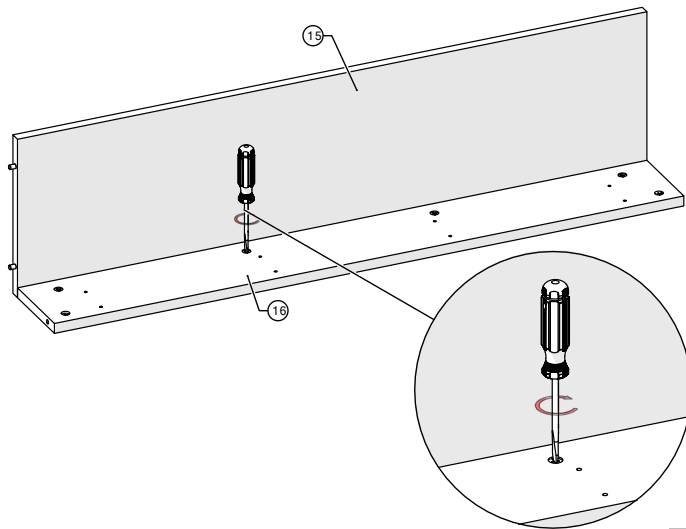
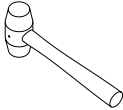
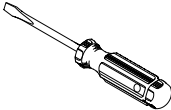


Figure 20

- 15 WATERFALL FALSE BACK
- 16 WATERFALL FALSE SUPPORT

Tools & Hardware Needed

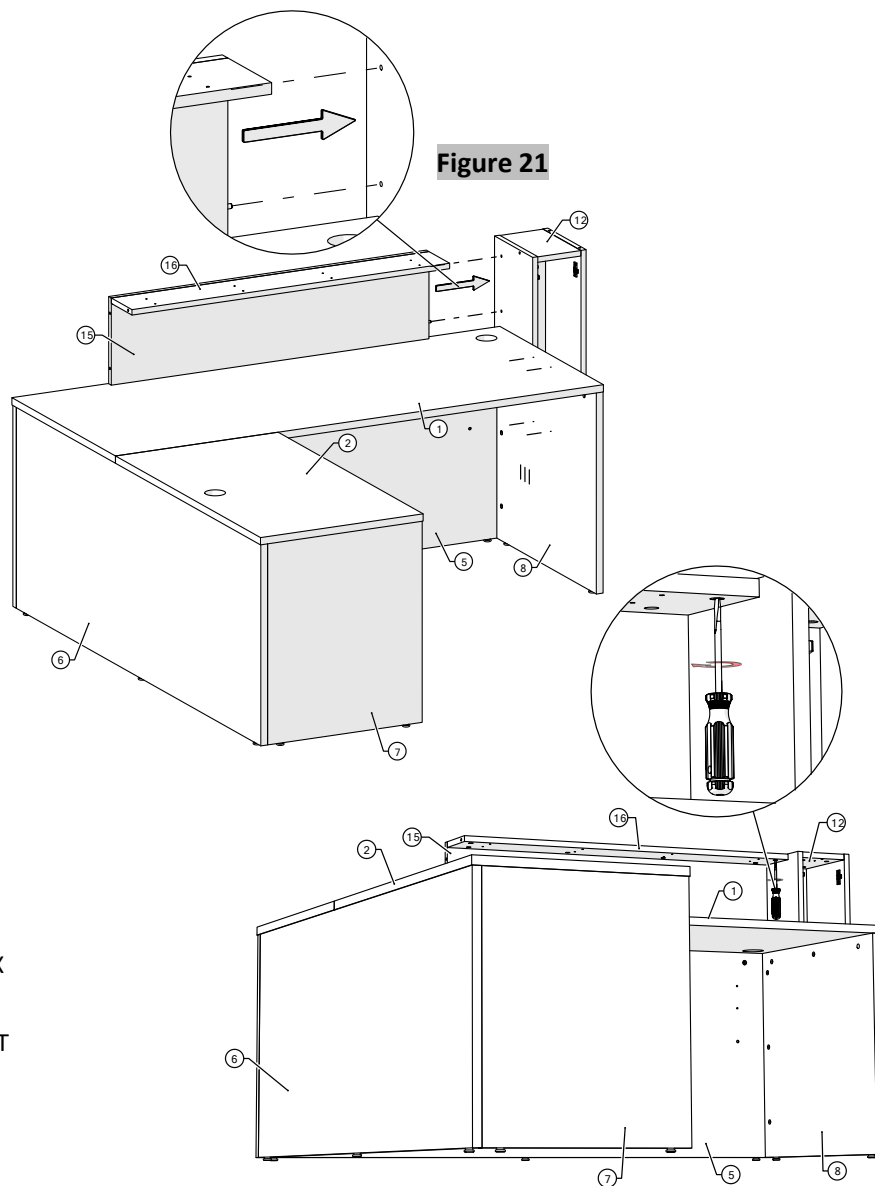
				
Rubber Mallet	Flat Screw Driver			

Aloha Reception Station – L-shaped

27. Connect the assembled unit (waterfall false back and waterfall support) to the extended waterfall box and press tightly together by inserting the wooden dowels into the side holes of the extended waterfall box (Figure 21).

28. Turn the Cam using a screwdriver in a clockwise direction to smoothly lock the waterfall false support and extended waterfall box together (Figure 22).

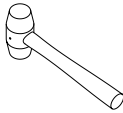
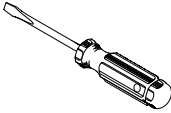
Continued on the next page >>



- ① WORKSURFACE
- ② WORKSURFACE RETURN
- ⑤ MODESTY FRONT
- ⑥ MODESTY RETURN
- ⑦ GABLE LH
- ⑧ GABLE RH
- ⑫ EXTENDED WATERFALL BOX
- ⑮ WATERFALL FALSE BACK
- ⑯ WATERFALL FALSE SUPPORT

Figure 22

Tools & Hardware Needed

				
Rubber Mallet	Flat Screw Driver			

Aloha Reception Station – L-shaped

29. Connect the countertop gable to the waterfall false back and waterfall false support and press tightly together by inserting the quickfit dowel and wooden dowels into the holes (Figure 23).

30. Turn the Cams using a screwdriver in a clockwise direction to smoothly lock the countertop gable and waterfall false support together (Figure 24).

Continued on the next page >>

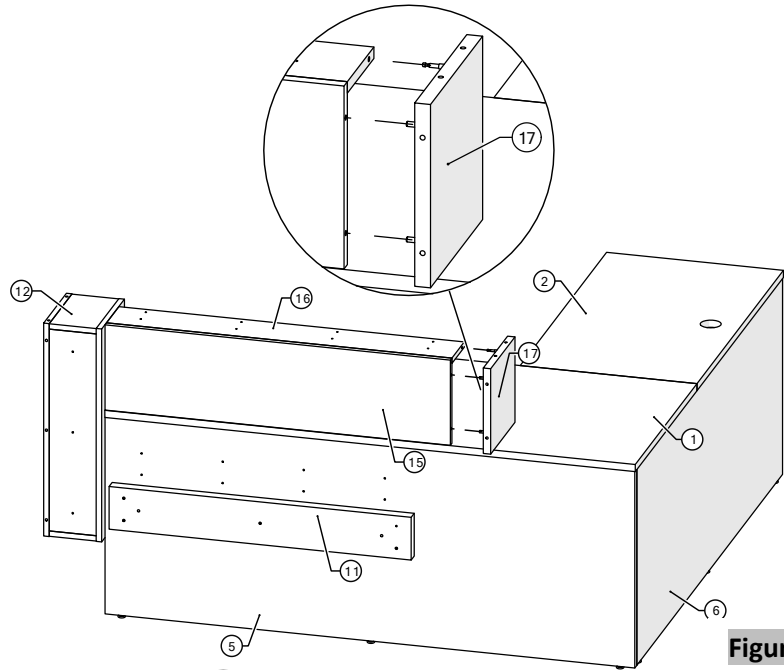


Figure 23

- ① WORKSURFACE
- ② WORKSURFACE RETURN
- ⑤ MODESTY FRONT
- ⑥ MODESTY RETURN
- ⑦ GABLE LH
- ⑧ GABLE RH
- ⑪ MODESTY CLEAT
- ⑫ EXTENDED WATERFALL BOX
- ⑮ WATERFALL FALSE BACK
- ⑯ WATERFALL FALSE SUPPORT
- ⑰ COUNTERTOP GABLE

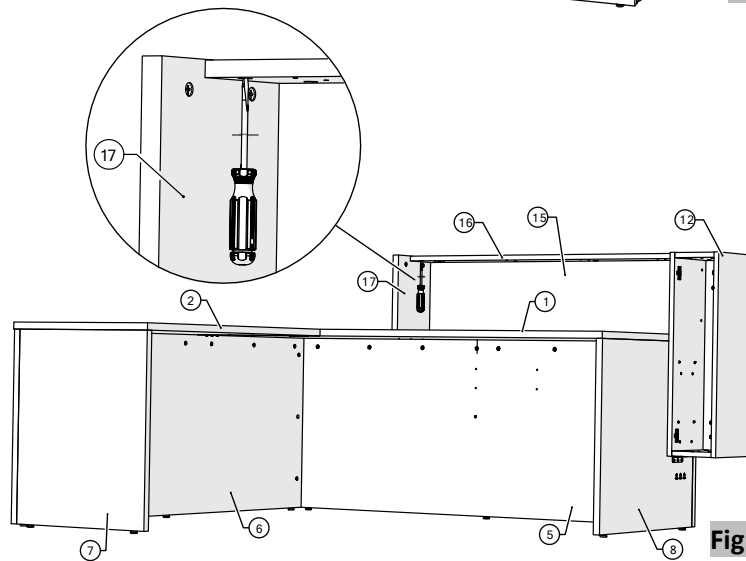
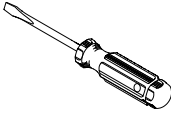
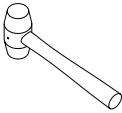


Figure 24

Tools & Hardware Needed

				
Flat Screw Driver	Rubber Mallet			

Aloha Reception Station – L-shaped

- 31.** Securely fasten the countertop gable to the worksurface using #8 x 1-1/2" Flat Head Screws (Figure 25).
- 32.** Connect the waterfall cleat to the waterfall front and press tightly together by inserting the wooden dowels into the 8mm holes of the waterfall front (Figure 26).
- 33.** Screw in #8 x 2" Flat Head Screws into the pre-drilled holes to secure the waterfall cleat (Figure 26A).

Continued on the next page >>

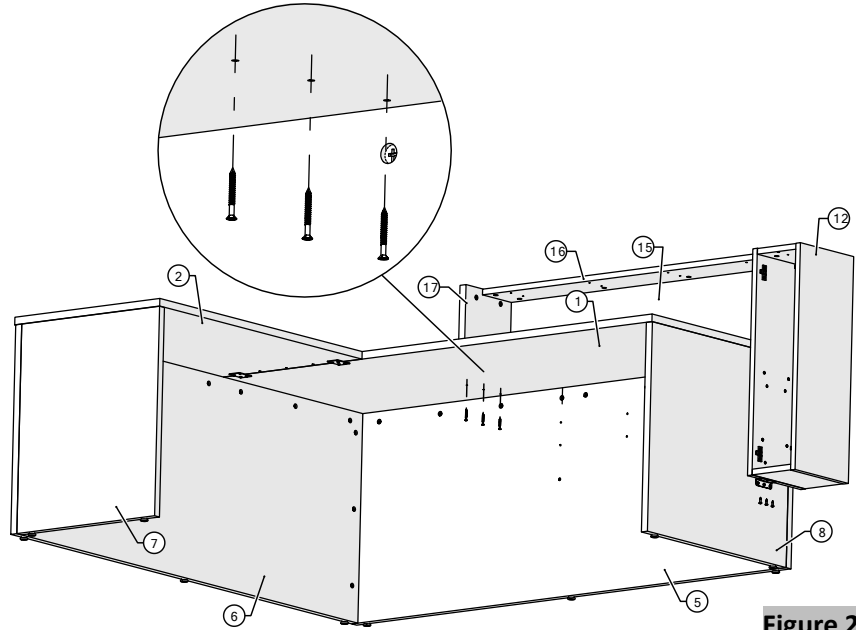


Figure 25

- ① WORKSURFACE
- ② WORKSURFACE RETURN
- ⑤ MODESTY FRONT
- ⑥ MODESTY RETURN
- ⑦ GABLE LH
- ⑧ GABLE RH
- ⑫ EXTENDED WATERFALL BOX
- ⑮ WATERFALL FALSE BACK
- ⑯ WATERFALL FALSE SUPPORT
- ⑰ COUNTERTOP GABLE
- ⑱ WATERFALL FRONT
- ⑲ WATERFALL CLEAT

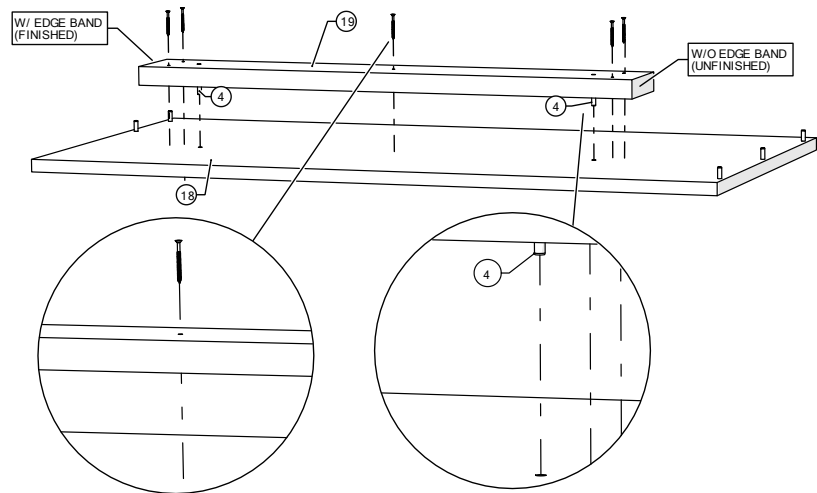
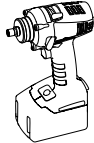

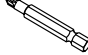




Figure 26A

Figure 26

Tools & Hardware Needed

			8540-0591 	8540-1004 
Drill	Robertson #2 Long Bit	Phillips Bit	#8 x 1-1/2" Flat Head Screw	#8 x 2" Flat Head Screw

Aloha Reception Station – L-shaped

34. Connect the assembled unit (waterfall front and waterfall cleat) to the extended waterfall box and countertop gable, and press tightly together by inserting the wooden dowels into the 8 mm holes, (Figures 27 and 27A).

35. Screw in #8 x 2" Flat Head Screws into the pre-drilled holes of the modesty front (Figure 28).

36. Screw in #8 x 1-1/4" Pan Head Screws into the pre-drilled holes inside the back of the extended waterfall box to secure the waterfall front (Figure 28A).

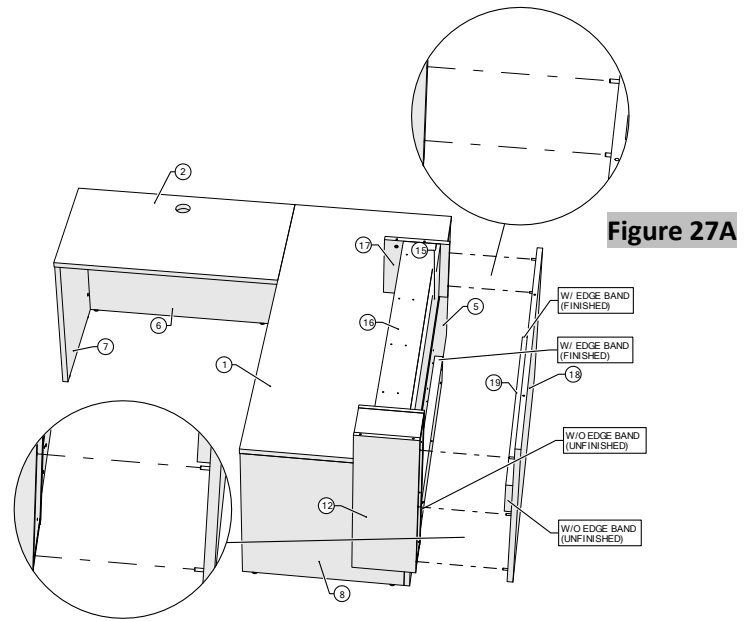


Figure 27

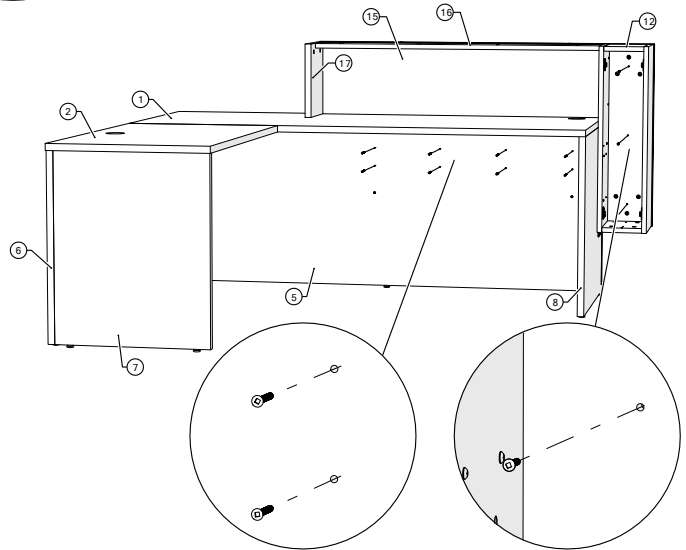
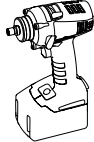






Figure 28

Figure 28A

- ① WORKSURFACE
- ② WORKSURFACE RETURN
- ⑤ MODESTY FRONT
- ⑥ MODESTY RETURN
- ⑦ GABLE LH
- ⑧ GABLE RH
- ⑫ EXTENDED WATERFALL BOX
- ⑮ WATERFALL FALSE BACK
- ⑯ WATERFALL FALSE SUPPORT
- ⑰ COUNTERTOP GABLE
- ⑱ WATERFALL FRONT
- ⑲ WATERFALL CLEAT

Tools & Hardware Needed

			8540-1004 	8540-0595 
Drill	Robertson #2 Long Bit	Phillips Bit	#8 x 2" Flat Head Screw	#8 x 1-1/4" Pan Head Screw

Aloha Reception Station – L-shaped

37. Push the wooden dowels into the pre-drilled 8 mm holes of the countertop, and then lightly tap with a rubber mallet to hold them firmly (Figure 29).

38. Screw in quickfit dowels into the pre-drilled holes of the countertop (Figure 29A).

39. Connect the countertop to the extended waterfall box, waterfall front, and countertop gable, and press tightly together by inserting the quickfit dowels and wooden dowels into the top holes (Figure 30).

Continued on the next page >>

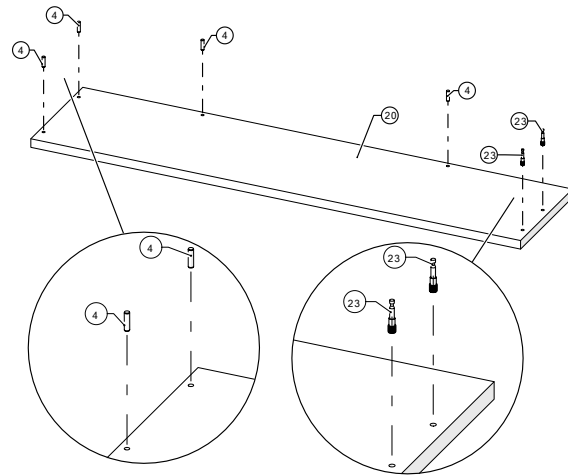


Figure 29

Figure 29A

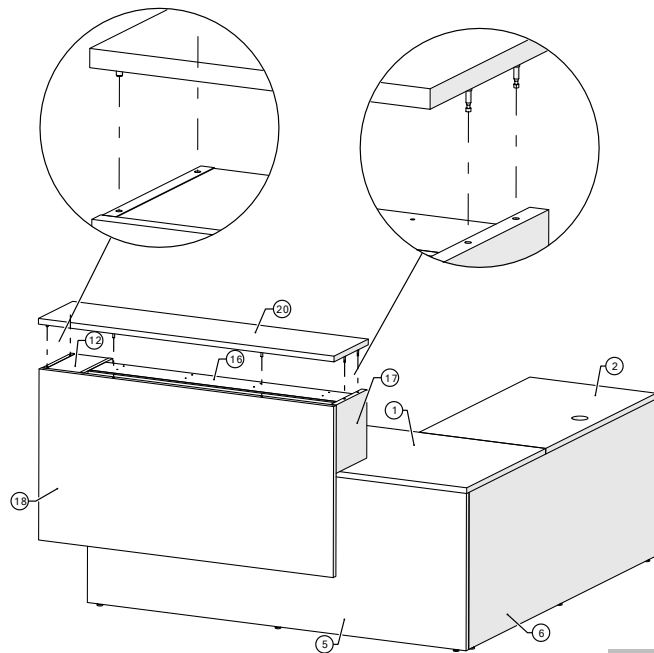
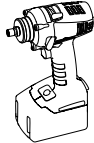

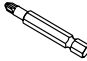
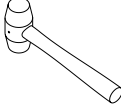
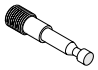



Figure 30

- ① WORKSURFACE
- ② WORKSURFACE RETURN
- ④ WOODEN DOWEL
- ⑤ MODESTY FRONT
- ⑥ MODESTY RETURN
- ⑫ EXTENDED WATERFALL BOX
- ⑯ FALSE SUPPORT
- ⑰ COUNTERTOP GABLE
- ⑱ WATERFALL FRONT
- ⑳ COUNTERTOP
- ㉓ QUICKFIT DOWEL

Tools & Hardware Needed

				8540-0728 
Drill	Robertson #2 Long Bit	Phillips Bit	Rubber Mallet	Quickfit Dowel
8540-0770 				
Wooden Dowel, 8mm Dia. x30mm L				

Aloha Reception Station – L-shaped

40. Screw in #8 x 1-1/2" Flat Head Screws into the pre-drilled holes of the waterfall false support to secure the countertop (Figure 31).

41. Snap back the waterfall cover of the extended waterfall box (Figure 32)

Continued on the next page >>

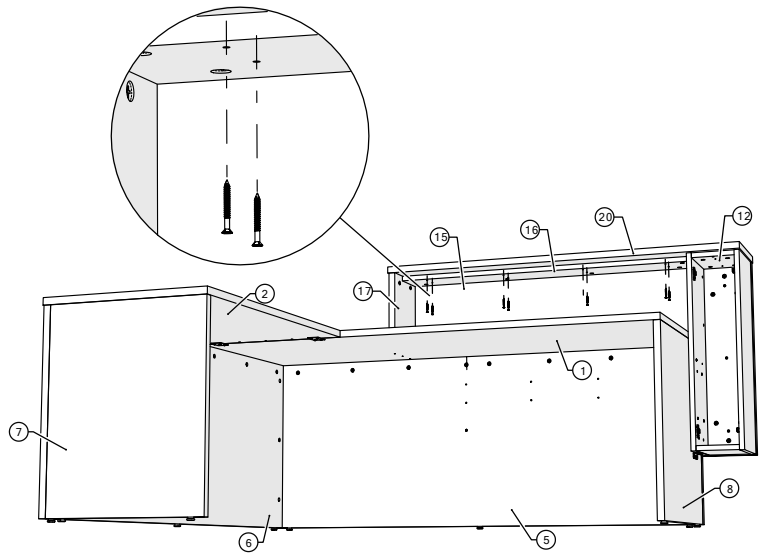


Figure 31

- ① WORKSURFACE
- ② WORKSURFACE RETURN
- ⑤ MODESTY FRONT
- ⑥ MODESTY RETURN
- ⑦ GABLE LH
- ⑧ GABLE RH
- ⑫ EXTENDED WATERFALL BOX
- ⑬ WATERFALL COVER
- ⑮ WATERFALL FALSE BACK
- ⑯ WATERFALL FALSE SUPPORT
- ⑰ COUNTERTOP GABLE
- ⑱ WATERFALL FRONT

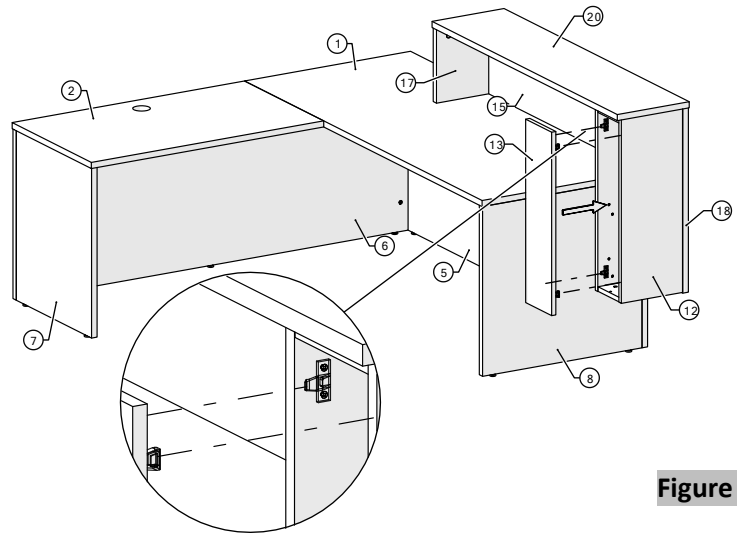
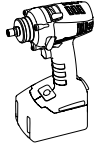

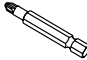



Figure 32

Tools & Hardware Needed

			8540-0591 	
Drill	Robertson #2 Long Bit	Phillips Bit	#8 x 1-1/2" Flat Head Screw	

Aloha Reception Station – L-shaped

- 42.** Insert the grommets into the grommet holes (Figure 33).
- 43.** Stick the fastcaps onto all visible holes, screws, and Cams (Figure 33A).
- 44.** Install the cantilever support at the mid-span of the worksurface using #10 x 11/16" Pan Head Screws (Figure 34).
Note: The cantilever support will be on 84"–96" wide units, not 72" wide.

Continued on the next page >>

- ① WORKSURFACE
- ② WORKSURFACE RETURN
- ⑤ MODESTY FRONT
- ⑥ MODESTY RETURN
- ⑦ GABLE LH
- ⑧ GABLE RH
- ⑫ EXTENDED WATERFALL BOX
- ⑬ WATERFALL COVER
- ⑮ WATERFALL FALSE BACK
- ⑯ WATERFALL FALSE SUPPORT
- ⑰ COUNTERTOP GABLE
- ⑱ WATERFALL FRONT
- ⑳ COUNTERTOP
- ㉑ CANTILEVER SUPPORT
- ㉒ GROMMET

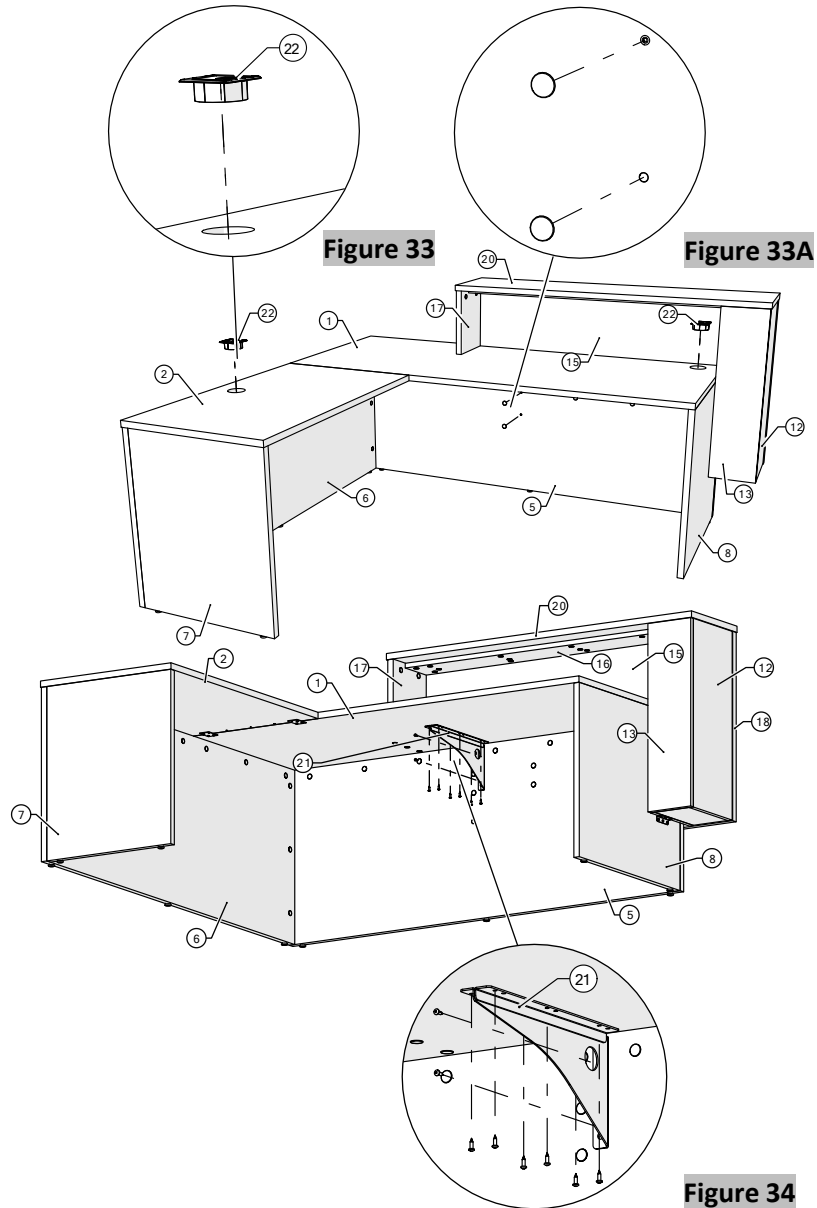
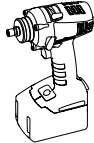




Figure 34

Tools & Hardware Needed

		8540-0545 		
Drill	Robertson #2 Long Bit	#10 x 11/16", Pan Head Screw		

tayco®

tayco.com

11/22